

4 Channel Blade Digital Video Encoder DVS-8504E-FD



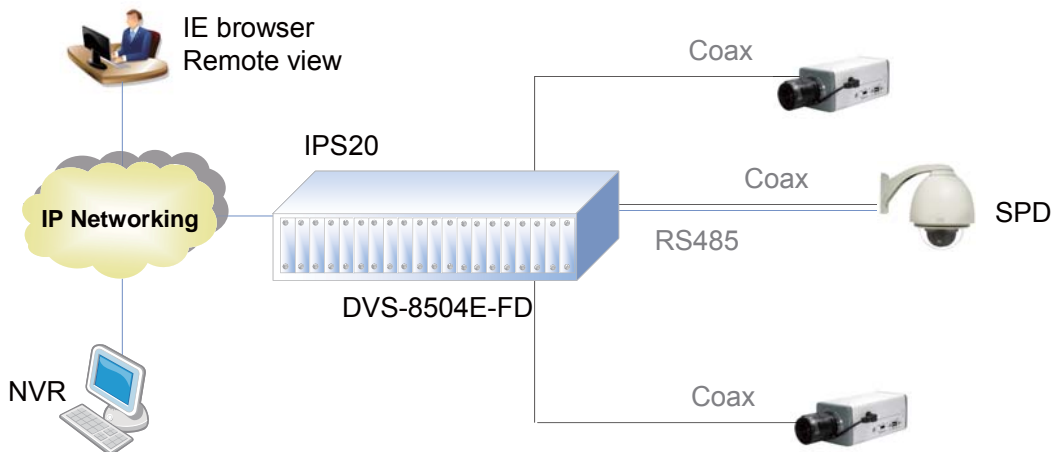
The DVS-8504E-FD offers highly-effective H.264 video compression. It can deliver multiple or individual configurable video streams simultaneously at full 30FPS all resolutions up to D1 (720x480 in NTSC, 720x576 in PAL). This means that several video streams can be configured with different resolutions, frame rates and bit rate for different needs.

The DVS-8504E-FD can also provide dual-stream transmissions for recording and monitoring. The DVS can also provide video for viewing at two different locations or have the main stream be recorded and have the sub-stream available for live viewing. The web management offers the user access to detailed alarm detection and actions.

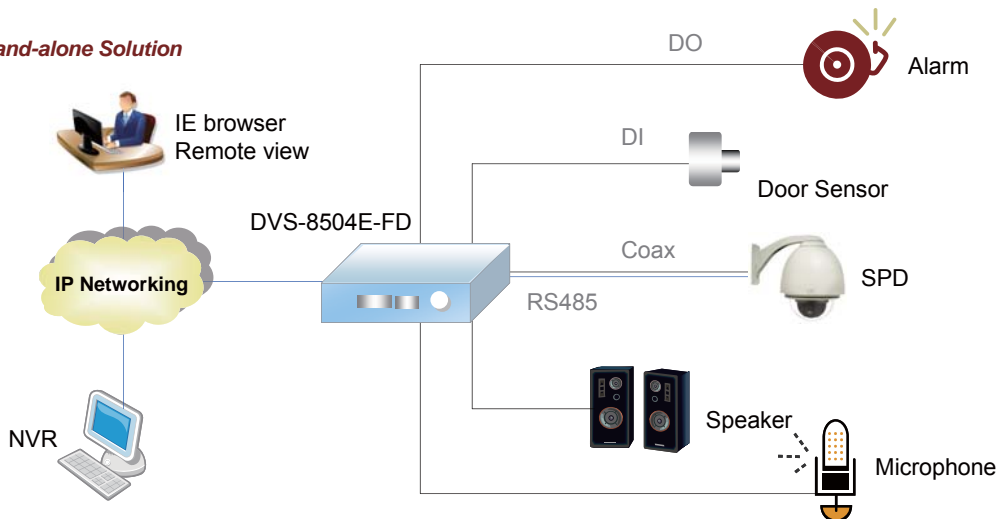
Features

- Multiple H.264 streams
- D1 resolution @ 30FPS(NTSC), @ 25FPS (PAL)
- 4 video input, 4 audio input
- Built-in Web server for management
- Supports HTTPS and password protection
- Provides main and sub video streams with different resolution
- Supports logic (AND / OR) event alarms
- Supports two-way audio
- 8 Digital Input / Output connections
- Supports privacy mask
- Fan less design

DVS 8504E-FD Rack Solution



DVS 8504E-FD Stand-alone Solution



Specifications

Intelligent analysis

DSP ADSP-BF561

Function Tripwire Detection/ Intrusion Detection/ Virtual Fence Detection/ Missing Left Detection/ Abandoned Objects Detection/ Video Loss Detection/ Scene change Detection

Video encoder

DSP TI DM-6467

Operating System Embedded Linux

Compression H.264 / M-JPEG

Frame rate 30/25(NTSC/PAL) fps in all resolution

Video Stream Multiple H.264 streams

Resolution

D1 720x480(NTSC)/720x576(PAL)

4CIF 704x480(NTSC)/704x576(PAL)

2CIF 704x240(NTSC)/704x288(PAL)

CIF 352x240(NTSC)/352x288(PAL)

QCIF 176x120(NTSC)/176x144(PAL)

VGA 640x480

CIF 384x288

QVGA 320x240

Video Bit rate 32K/ 64K/ 128K/ 256K/ 384K/ 512K/ 768K/ 1024K/ 1.5M/ 2M

Video Quality Medium / Standard / Good / Detailed / Excellent

Video Input X4, BNC, 75 ohm, 1Vp-p

Video Output X4, 75 ohm, 1Vp-p

Image Adjustment brightness, contrast, saturation, hue

Audio

Audio Streaming Two way audio

Audio Compression ADPCM G.711 (H.264)

Audio Input 4 channel microphone in

Audio Output 1 channel Line out

Network

Ethernet RJ-45, 10/100/1000 Base-T

Remote Management Web(CGI), SNMP V1 / V2

Network Protocols RTSP, RTCP, RTP, TCP, IPV4, IPV6, UDP (Unicast/Multicast), HTTP, HTTPS, SMTP, NTP, DHCP,FTP(Server/Client), UPnP, DNS, DDNS, IGMP, ICMP, ARP, PPPOE, SNMP(MIB1/MIB2)

Firmware upgrade Web Browser

NTP Sync with PC, Sync with NTP server, Manual

PTZ

PTZ protocol Pelco D/ Pelco P

PTZ Baud Rate 2400, 4800, 9600, 12800, 19200

PTZ Control Pan, Tilt, Zoom, Focus, Iris

PTZ Preset 128

PTZ Patrol 10 Tour mode (Each mode can set 20 positions)

Event

DIO 8 channel programmable DIO, NC/NO selectable

Motion Detection Drag and drop configurable detection windows

Event Action FTP, E-mail, DO, SMS, PTZ preset

Event Sending path FTP, E-mail (forwarding Snapshot picture)

Event define

User define video frame rate and video resolution and quality when alarm input and motion detection

General

Operation Temperature -10°-50°

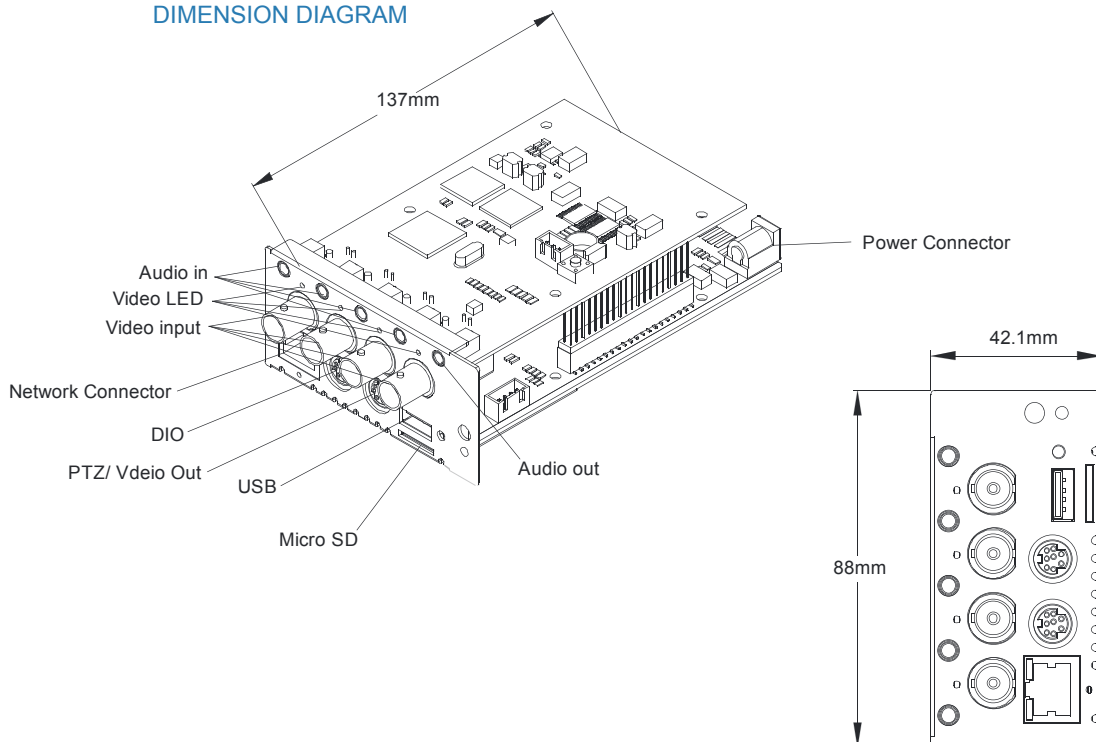
Storage Temperature -20°-60°

Power Source DC12V±10% PoE IEEE 802.3 at

Power Consumption 3A Max

External Dimension Line card type:88*139*42.1mm(W*D*H)

DIMENSION DIAGRAM



Ordering Information

DVS-8504E-FD 1-ch H.264 digital video encoder