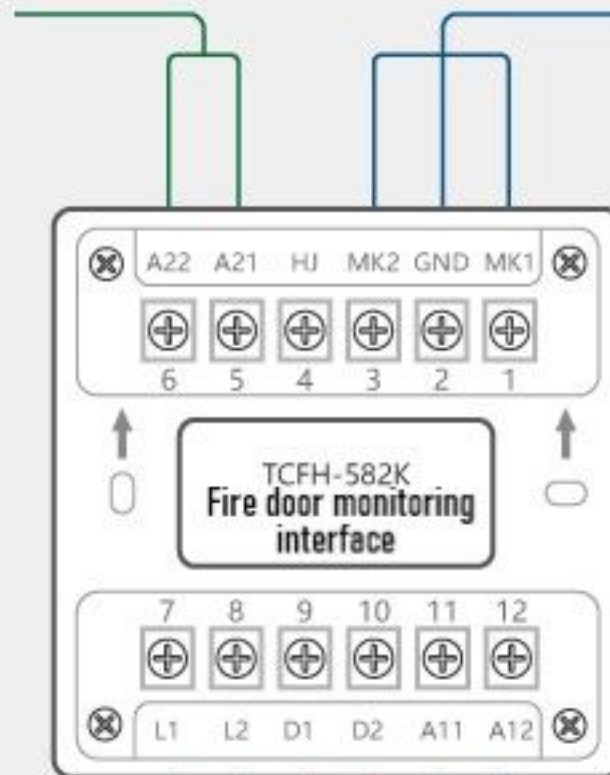


A22, A21
The magnetic switch input of
the right door, non-polar



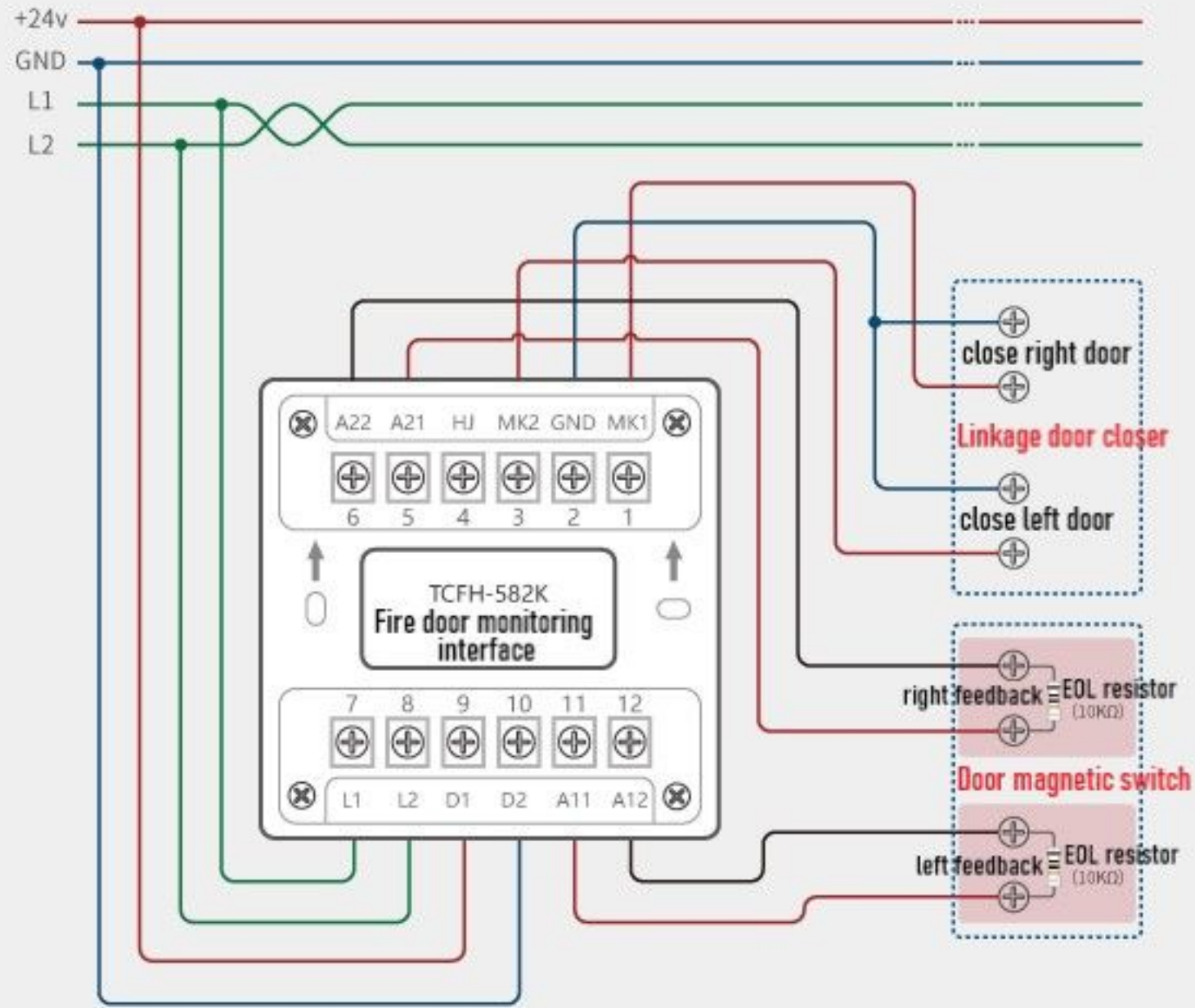
GND, MK1
Connect the left door to the door closer or fire
electromagnetic door stopper,
Active output, normally open when powered
on and closed when powered off

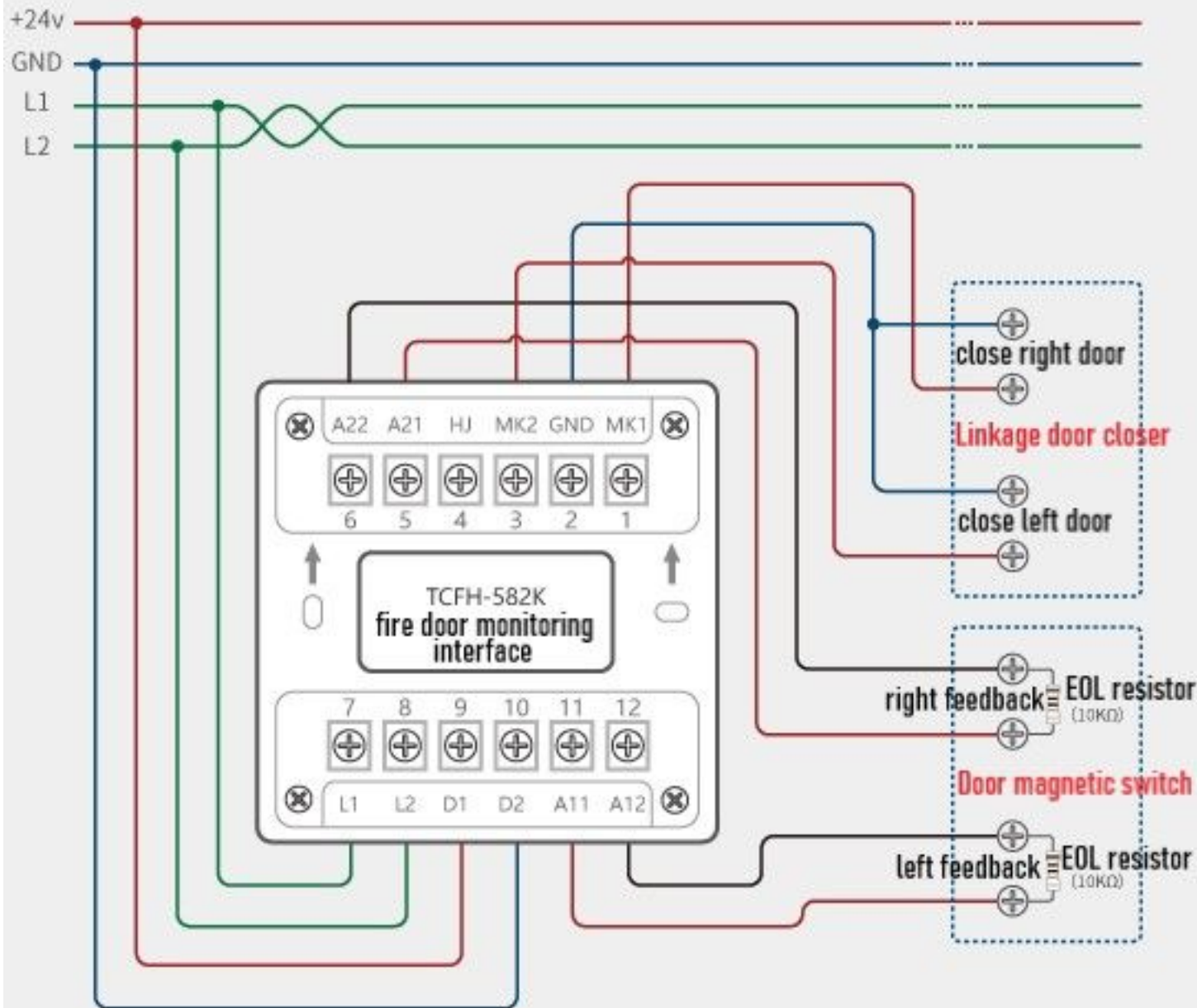
GND, MK2
Connect the right door to the door
closer or fire electromagnetic door
stopper, Active output, normally
open when powered on and closed
when powered off

L1, L2
Loop bus input, non-polar

A11, A12
The magnetic switch input of the left door,
non-polar

D1, D2
Power supply DC24V input,
non-polar





Door magnetic switch



Door closers