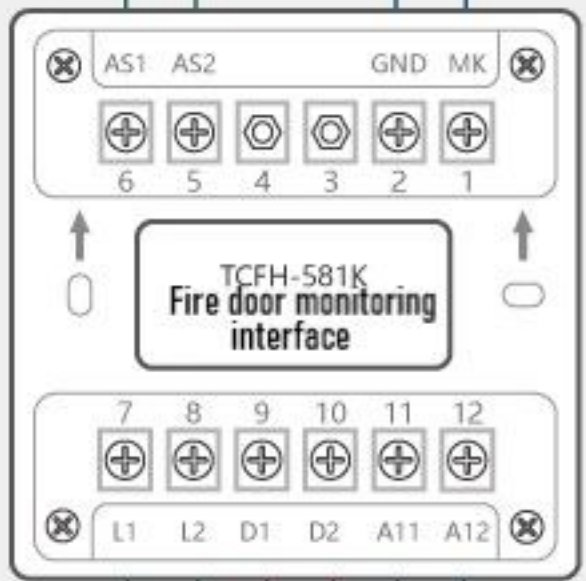


AS1, AS2
Passive N/O input signal,
non-polar

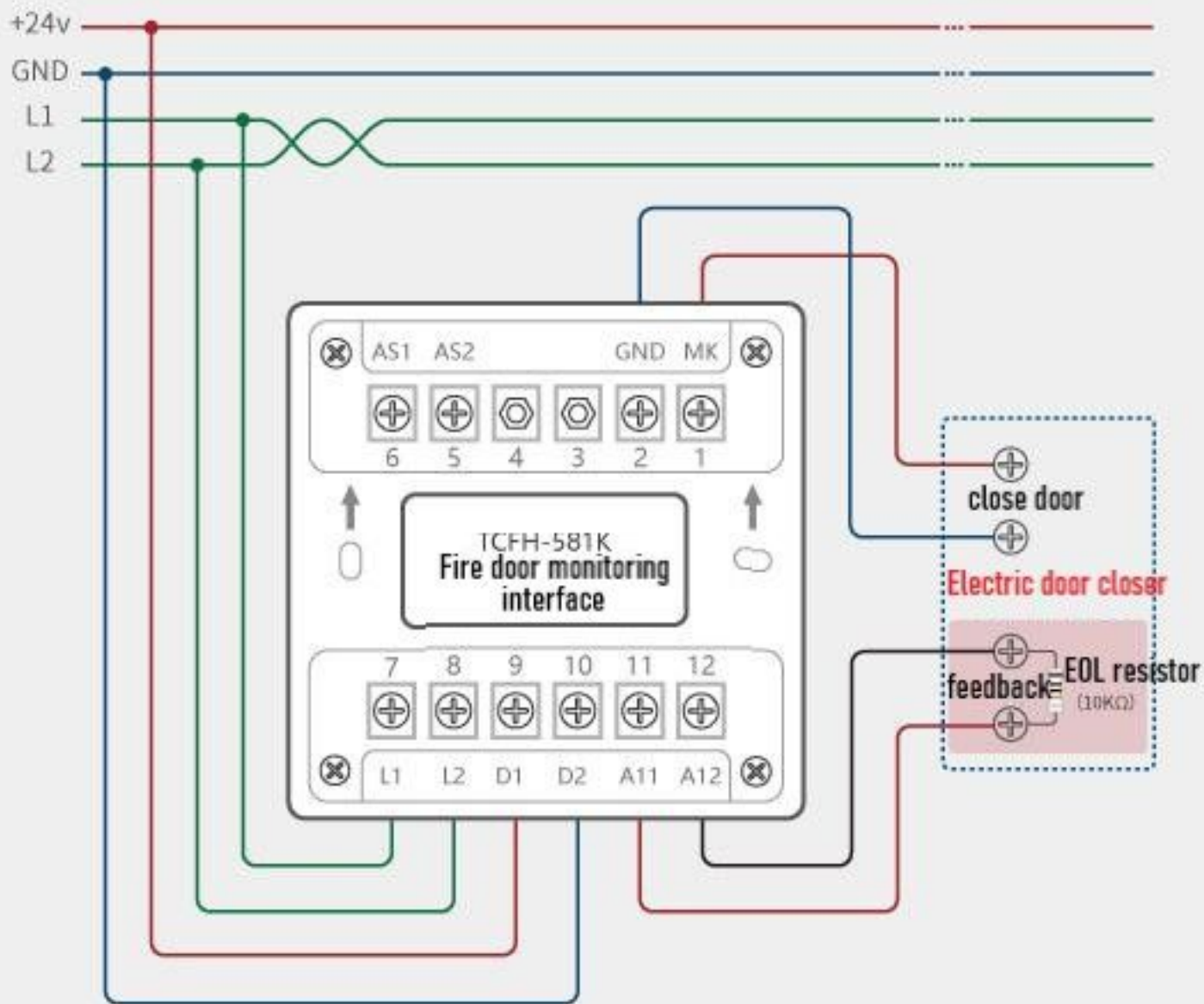
GND, MK
Linkage door closer or fire
electromagnetic door stopper,
Active output, normally open
when powered on and closed
when powered off

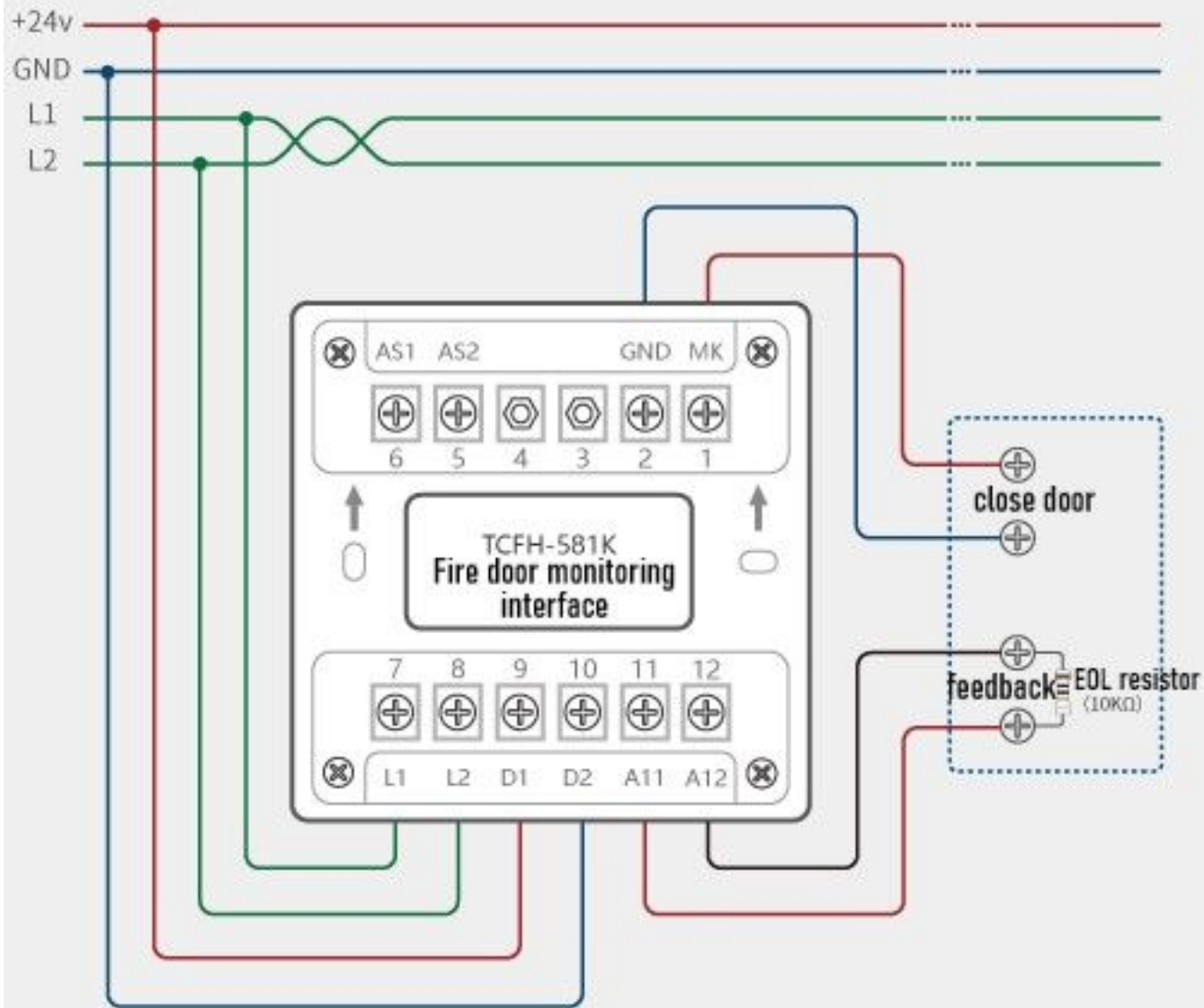


L1, L2
Loop bus input, non-polar

A11, A12
Connect the door magnetic switch input, non-polar

D1, D2
Power supply DC24V input, non-polar





Door magnetic switch



Door closers