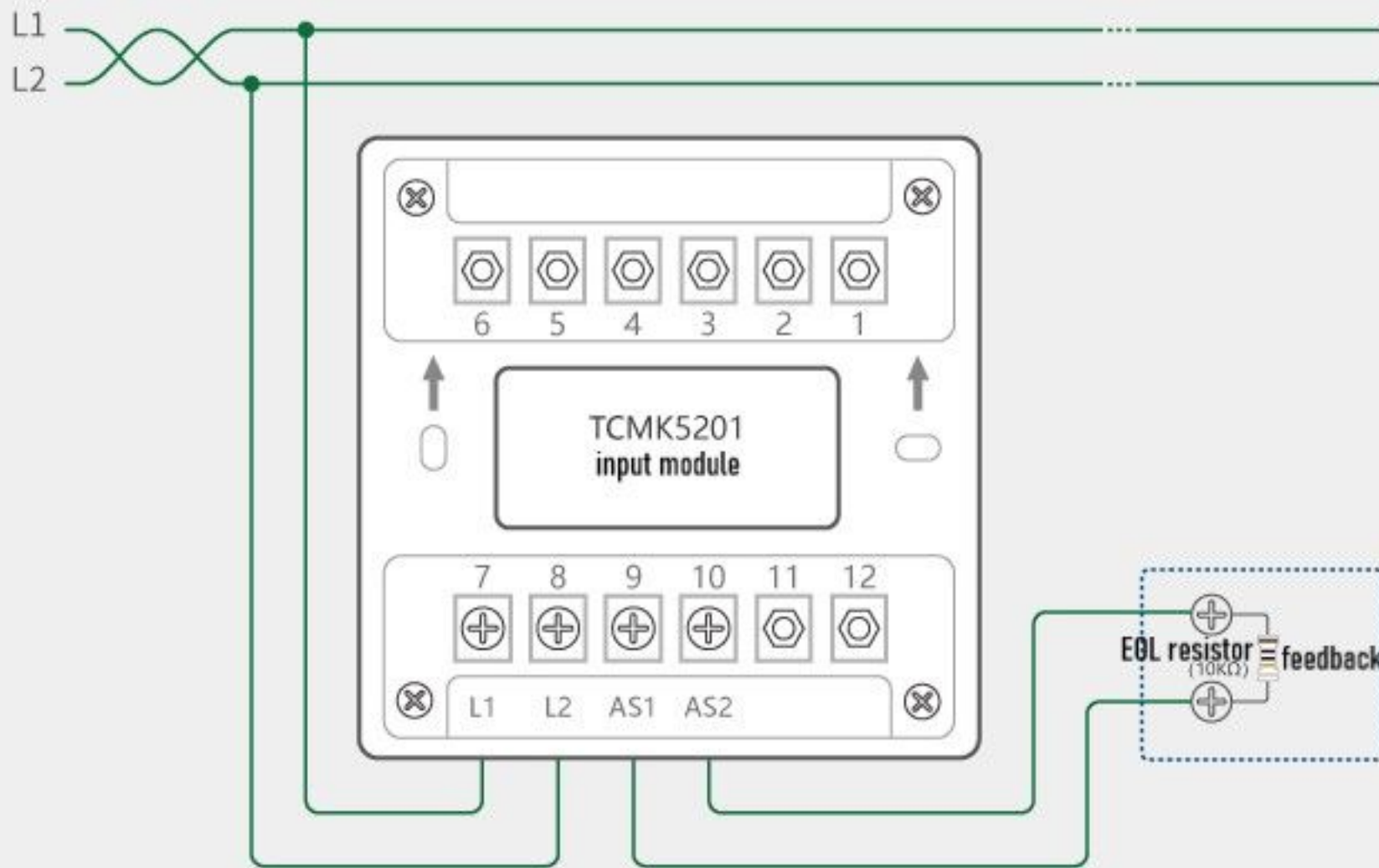
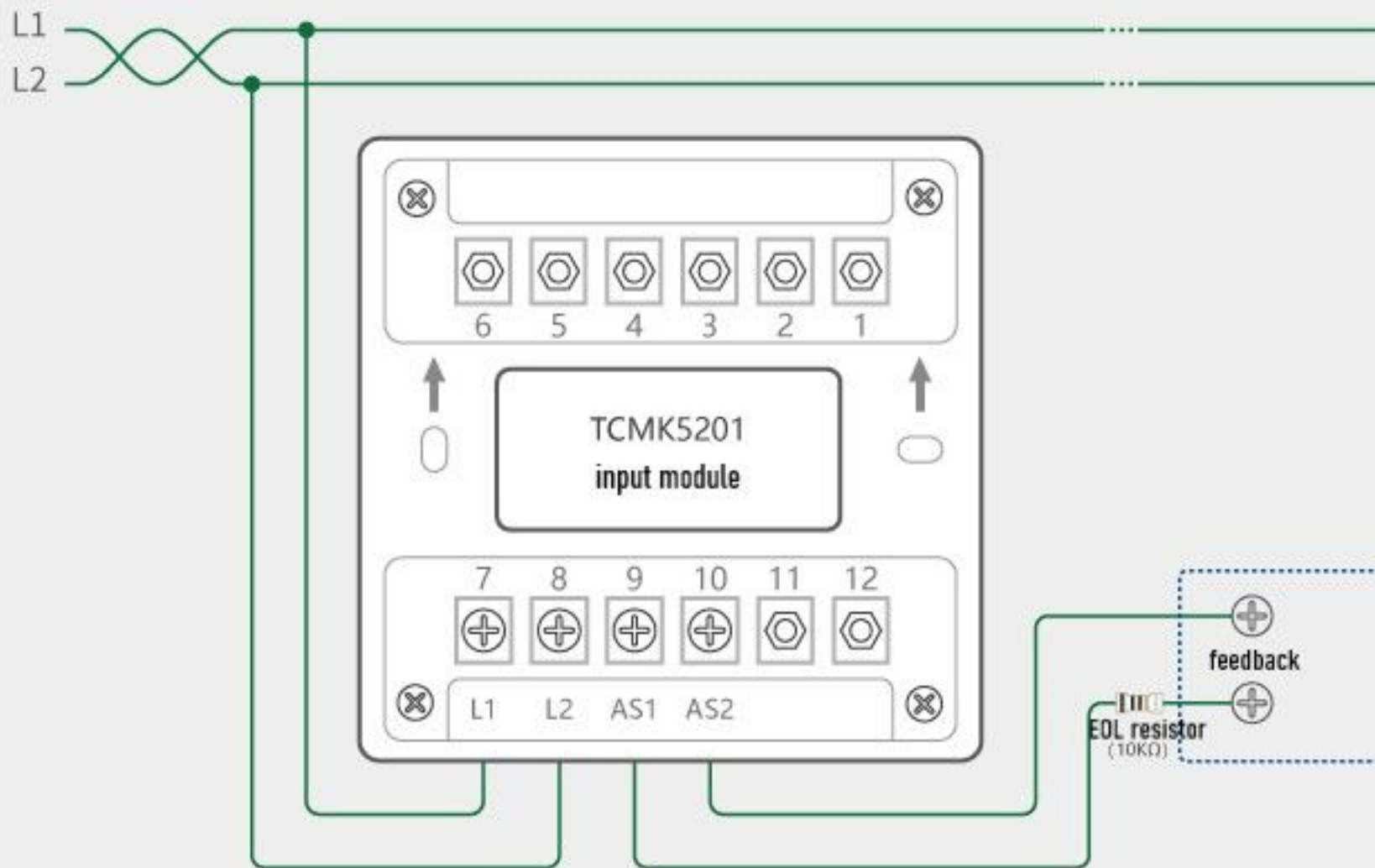
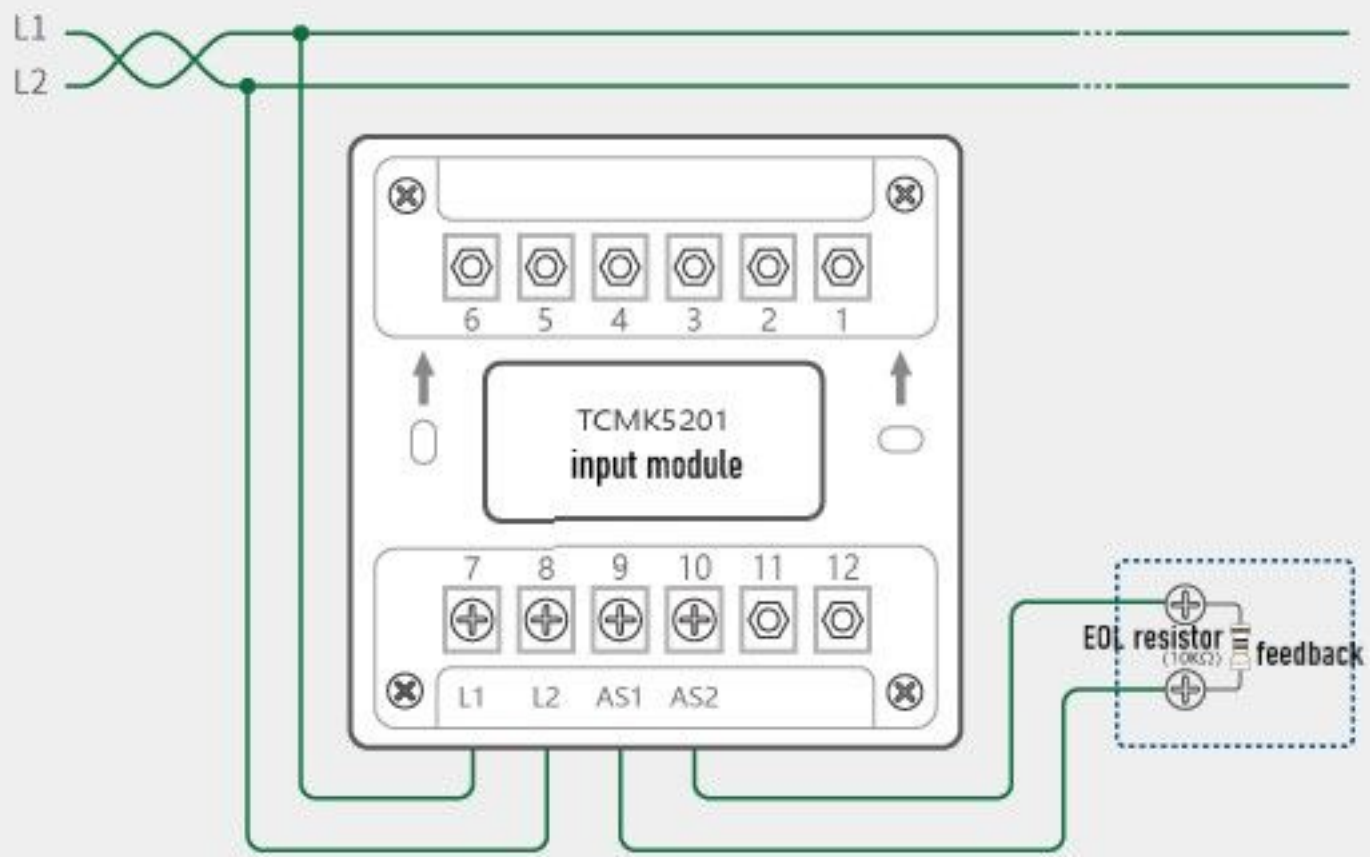


L1, L2
Non-polar signal
Bus input terminal

AS1, AS2
Passive input, connected to the passive N/O
contact of the device;
It can also be set as a normally closed input
through an electronic encoder







Flame detector



Pressure switch



heat sensing cable



Signal butterfly valve



Inspiratory detector



Water flow indicator