



Product Catalog

PTZ Dome camera OEM and ODM manufacturer

*We're Fenstaida
PTZ Specializes*



ABOUT US

Dedicated Pan Tilt Zoom Solution Provider

Shenzhen Fengtaida Electronics Co., Ltd is a manufacturer of intelligent Surveillance Pan, Tilt and Zoom systems founded in 2009 in Shenzhen. For nearly 12 years of research and development accumulated in surveillance end-to-end security PTZ solutions, Fengtaida is now a leading B2B long distance PTZ Company that has customers in 110 countries worldwide in a wide range of industry.

Fengtaida specializes in R&D and manufacturing of professional-grade PTZ Camera systems and IP cameras. Our award-winning CTC Patent series IP cameras has a wide range of models and functions working below -50 that provide supreme video quality and video analytics for professional users.

Fengtaida has regional partners in Korea, the USA, Czech Republic, France, and Brazil. These partners provide sales, technical support, specs consultation and services.

Tested by TÜV Rheinland

Tested by TÜV Rheinland As a trusted factory providing customized video surveillance systems. TÜV Rheinland Certification and Auditing Services for CCTV Security Industrial Manufacturing. Find and download Assessment Report Presented to Shenzhen Fengtaida Electronics Co., Ltd Provided by TÜV Rheinland online. Focus on R & D Capacity and Quality Assurance.

30+ invention patents

include outdoor and vandal-proof housings to protect cameras, night vision or motion detective...

Discover more [Patent here](#)

R&D Certification

Goes through a strict inspection process in order to pass CE, FCC, and ROHS certification. ISO9001...

Find more [Certification here](#).

OEM & Custom design

Each organization is unique and so are their security needs. So we care each project exactly from the customer. Know more information [Here](#)

CTC™ technology:

Feature Auto Temperature Control and cool system. Built-in fan and heater for harsh environments ensures optimal performance in extreme low and hot temperatures up to 70 °C and all the way down to -50 °C.

Air Wiper:

Patented invisible wiper technology can supports efficient, high-pressure cleaning by removing the water drops from lens automatically in rainy weather and no scratch existed.

Micro-Step Technology

Due to the Micro-step technology, on step angle is divided by 280. Accordingly, accuracy as well as ultra-low sound noise can be achieved. Micro-step technology enables ultra-low speed down to 0.05/s.

Built-in step out compensation with feedback control

Zero deviation positioning technology for ensuring high precision and accuracy in preset, never losing presets and group(patrol). High precision closed loop stepper motors and gears to provide accuracy, smoothness, stability and quietness of movements. Industrial grade high precision bearings with light load for high speed rotation, high precision, high speed, low temperature, silent and smooth and long service life.

Weather Proof Design and Vandal Resistance

With IP66 protection, the camera ensures normal operation regardless of rain, snow or storm.

All in one Design

Built-in antenna technology make snapshot beauty and No wireless signal reduction

Large Field of View:

high-speed, precision pan/tilt/zoom capabilities, these PTZ cameras enable exceptional coverage of large areas and superb zoomed-in details. ensures stability and excellent image quality for long-term use.

Easy installation:

Quick-assembly structure, and additional anti-fall line, can be quickly disassembled, convenient for the installation and maintenance of the engineer. Meet the wall mounting, ceiling and other installation methods.

Templated design of internal hardware structure, each part is individually molded. Make the installation easy and maintenance faster.

Simple design:

Speed dome is designed in accordance with engineering mechanics. The appearance is simple and beautiful. The shell adopts a new generation of aluminum alloy, industrial grade stamping process, integrated molding and compact structure. Ensure the strength of the high-speed shell, will not be deformed in the process of transportation and maintenance.

Material and surface spraying treatment, anti-UV car grade paint technology, dust-proof, anti-corrosion, High explosion-proof grade, corrosion resistance, longer service life.

Fully digital design.

Data is stored on the connection board, no data loss in power failure. User can customize and set multiple protocols.

Power supply:

designed with industrial-grade components, and the conversion efficiency reaches 85%. It can ensure power supply Stably board when the temperature range is -40 degrees to +120 degrees and the input voltage range is AC170V to AC260V, which ensures the demand for long-time continuous working power of speed dome.

2022IRS IP IR PTZ Camera



IRS Series PTZ dome camera features 1080p Full HD matched with SONY 1/2.8" CMOS and 20x option zoom. Long range Max 200m for night vision. Let you see farther and clearer day and night. Support PoE and wifi, Auto-tracking. Especially the housing of speed dome camera can withstand the extreme environment of -45°C ~ +70°C. Built-in SD memory can support Max 125GB which can store about 30 days for 2m Pixel. IP66 for outdoor waterproof and Support Onvif.

other Model are available for order:

Model	Revolution	Option Zoom	IR
3622IRS	1080p	36X	200m
2052IRS	5m	20X	200m
2022IRS	1080p	20X	200m
3022IRS	1080p	30X	200m
3052IRS	5m	30X	200m
3652IRS	5m	36X	200m

Specifications

Camera

Image Device	1/2.8" Progressive Scan CMOS
Effective Pixels	Approx. 2.38 Mega pixels
Aspect Ratio	HD: 16:9 SD: 4:3
Zoom Ratio	Optical x36, Digital x12
Focal Length	4.7mm -94mm H: 61.2°~2.32°
Horizontal angle	72.7°(W) ~ 1.8°(T)
MIN. Illumination	COLOR : 0.005 Lux@F1.5 B/W : 0.005 Lux@F1.5, 0 Lux (IR)
Day & Night	Auto(CDS/CAM) / Day / Night(ICR)
Focus	Auto/Semi Auto/Manual
DNR(2D/3D)	OFF/Level Adjustment(1~5)
Shutter Speed	1 sec ~ 1/10,000sec(60/30 mode) 1 sec ~ 1/10,000sec(50/25 mode)
AGC	Auto/Manual
White Balance	Auto/Indoor/Outdoor/Manual
WDR/BLC	OFF/BLC/WDR(Digital)
Other Function	Defog(Digital), HLC, Dynamic slow shutter

Pan/Tilt

Range	Pan: 360° (Endless) Tilt: -10° ~ 90° (Flip)
Speed	Preset: 250°/sec Manual: 0.1° ~ 250°/sec Scan: 1.4 °~150 °/sec
Preset	255 Presets with Labels
Group	8 groups(Max. 16 presets)

General

Sensor In /Out	Built-in 1 Input / 1 Output(Relay)
Audio In / Out	1 Audio In / 1 Audio Out
Video Out	BNC: VBS 1.0 Vp-p More than 200M, Wave: 850nm (with adaptive synchronized with zoom ratio)
IR distance	AC24V 36W
Power	KC, IP66, IK10
Approvals*	Weather proof / Vandal Proof Structure
Housing	Body : Aluminum Die-casting
Material	Net: Ø226 x 363(H) mm
Dimension	5Kg(approx.)
Weight	-35°C ~ 60°C
Operating Temp.	

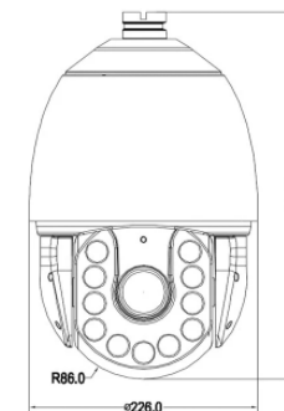
Network

Ethernet	10Base-T/100Base-Tx	
Video Compression	H.265/H.264/MJPEG	
Video Stream	Main	1080p/720p
	Second	D1/CIF/QCIF
	Third	1080p/720p/D1/CIF/QCIF
Stream Type	Video/Complex(Video/Audio) Stream	
Frame Rate	Max. 30 /25 fps for 1080P/720P/D1/CIF/QCIF	
Bitrate	30Kbps ~ 16Mbps. Supports CBR/VBR/FIX QP	
Audio Compression	Two way, G.711 A-law, G.711 μ-law, 128kbps, sampling rate 8kHz	
Local Storage	Micro SD/SDHC/SDXC card. Support up to 128GB	
IVA	Motion Detection, Occlusion Detection, Line Crossing*, Region entrance/exiting*, Intrusion*, Tampering*, etc	
Alarm actions	Email, Micro SD/SDHC/SDXC Record, Relay Output, Snapshot, Notification of Client	
Alarm	Pre-Post Alarm	
Max No. of Clients	10 users(Depending on user bandwidth)	
Web Brower	IE 6.0 above	
Protocols Support	IPv4	IPv4/IPv6*, TCP/IP, UDP, RTP, RTSP, RTMP, NTP, HTTP, HTTPS*, SSL*, DNS, DDNS, DHCP, FTP, SMTP, ICMP, SNMP*
	DDNS	Public DDNS services Support: www.dyndns.com
	ONVIF	PROFILE S
	Security	User Authentication(ID/PW), IP Address/Mac Address filtering*

The specifications are subject to change without prior notice. (*) This feature is under development and will be added in the future.

Dimension

Unit: mm



Shenzhen Fengtaida Electronics Co., Ltd

2403F, Building 11, Cloud Park, Gangtou, Bantian, Longgang District, Shenzhen, China

Tel: +86-0755-25560091 | E-mail: info@fengtaida.com

www.fengtaida.com

3652IRS2 IP IR PTZ Camera



IRS2 model is an outdoor speed dome camera equipped with Max 5M, night vision up to 200 meters and 36x option zoom. Endless 360 degrees rotation and variable speed. Adopt the patent air wiper detecting rain intelligently and removing water automatically. IP66 waterproof and IK10 grade adapt to normal operation in bad weather. Widely used in engineering, traffic, mines and other industries.

other Model are available for order:

Model	Revolution	Option Zoom	IR
3622IRS2	1080p	36X	200m
2052IRS2	5m	20X	200m
2022IRS2	1080p	20X	200m
3022IRS2	1080p	30X	200m
3052IRS2	5m	30X	200m
3652IRS2	5m	36X	200m

Specifications

Camera

Image Device	1/2.8" Progressive Scan CMOS
Effective Pixels	Approx. 2.38 Mega pixels
Aspect Ratio	HD: 16:9 SD: 4:3
Zoom Ratio	Optical x36, Digital x12
Focal Length	4.6-167mm H:69.5°~2.7°
Horizontal angle	72.7°(W) ~ 1.8°(T)
MIN. Illumination	COLOR : 0.002 Lux@F1.2 B/W : 0.0002Lux@F1.2, 0 Lux (IR)
Day & Night	Auto(CDS/CAM) / Day / Night(ICR)
Focus	Auto/Semi Auto/Manual
DNR(2D/3D)	OFF/Level Adjustment(1~5)
Shutter Speed	1 sec ~ 1/10,000sec(60/30 mode) 1 sec ~ 1/10,000sec(50/25 mode)
AGC	Auto/Manual
White Balance	Auto/Indoor/Outdoor/Manual
WDR/BLC	OFF/BLC/WDR(Digital)
Other Function	Defog(Digital), HLC, Dynamic slow shutter

Pan/Tilt

Range	Pan: 360° (Endless) Tilt: -10° ~ 90° (Flip)
Speed	Preset: 131°/sec Manual: 0.1° ~ 250°/sec Scan: 1.4 °~150 °/sec
Preset	255 Presets with Labels
Group	8 groups(Max. 16 presets)

General

Sensor In /Out	Built-in 1 Input / 1 Output(Relay)
Audio In / Out	1 Audio In / 1 Audio Out
Video Out	BNC: VBS 1.0 Vp-p More than 200M, Wave: 850nm (with adaptive synchronized with zoom ratio)
IR distance	AC24V 36W
Power	KC, IP66, IK10
Approvals*	Weather proof / Vandal Proof Structure
Housing	Body : Aluminum Die-casting
Material	Net: Ø226 x 363(H) mm
Dimension	5Kg(approx.)
Weight	Operating Temp. -35°C ~ 60°C

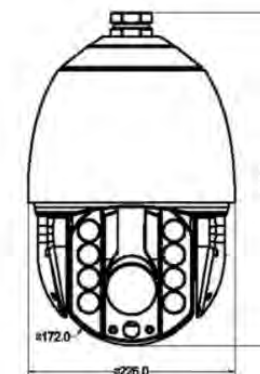
Network

Ethernet	10Base-T/100Base-Tx	
Video Compression	H.265/H.264/MJPEG	
Video Stream	Main	1080p/720p
	Second	D1/CIF/QCIF
	Third	1080p/720p/D1/CIF/QCIF
Stream Type	Video/Complex(Video/Audio) Stream	
Frame Rate	Max. 30 /25 fps for 1080P/720P/D1/CIF/QCIF	
Bitrate	30Kbps ~ 16Mbps. Supports CBR/VBR/FIX QP	
Audio Compression	Two way, G.711 A-law, G.711 μ-law, 128kbps, sampling rate 8kHz	
Local Storage	Micro SD/SDHC/SDXC card. Support up to 128GB	
IVA	Motion Detection, Occlusion Detection, Line Crossing*, Region entrance/exiting*, Intrusion*, Tampering*, etc	
Alarm actions	Email, Micro SD/SDHC/SDXC Record, Relay Output, Snapshot, Notification of Client	
Alarm	Pre-Post Alarm	
Max No. of Clients	10 users(Depending on user bandwidth)	
Web Brower	IE 6.0 above	
Protocols Support	IPv4	IPv4/IPv6*, TCP/IP, UDP, RTP, RTSP, RTMP, NTP, HTTP, HTTPS*, SSL*, DNS, DDNS, DHCP, FTP, SMTP, ICMP, SNMP*
	DDNS	Public DDNS services Support: www.dyndns.com
	ONVIF	PROFILE S
	Security	User Authentication(ID/PW), IP Address/Mac Address filtering*

The specifications are subject to change without prior notice. (*) This feature is under development and will be added in the future.

Dimension

Unit: mm



Shenzhen Fengtaida Electronics Co., Ltd

2403F, Building 11, Cloud Park, Gangtou, Bantian, Longgang District, Shenzhen, China

Tel: +86-0755-25560091 | E-mail: info@fengtaida.com

www.fengtaida.com

3622IR6 IP IR PTZ Camera



9 inch full Crash-proof aluminum alloy shell, intelligent temperature control allows the speed dome ptz camera to work normally in harsh environments. 360 degrees without blind area and Max 4K for monitoring. Auto-focus and auto-tracking function. Night vision up to 500 meters, so you can see farther and clearer. IR6 PTZ dome camera and can to withstand extreme environment which -45 °C ~ +55 °C circumstance.

other Model are available for order:

Model	Revolution	Option Zoom	IR
3622IR6	1080p	36X	200m
2052IR6	5m	20X	200m
2022IR6	1080p	20X	200m
3022IR6	1080p	30X	200m
3052IR6	5m	30X	200m
3652IR6	5m	36X	200m

Specifications

Camera

Image Device	1/2.8" Pixel SONY
Effective Pixels	Approx. 2 Mega pixels
Aspect Ratio	HD: 16:9 SD: 4:3
Zoom Ratio	Optical x36, Digital x12
Focal Length	4.6mm-167mm H: 60°~2°
Horizontal angle	72.7°(W) ~ 1.8°(T)
MIN. Illumination	COLOR : 0.005 Lux@F1.2 B/W : 0.001 Lux@F1.2, 0 Lux (IR)
Day & Night	Auto(CDS/CAM) / Day / Night(ICR)
Focus	Auto/Semi Auto/Manual
DNR(2D/3D)	OFF/Level Adjustment(1~5)
Shutter Speed	1 sec ~ 1/10,000sec(60/30 mode) 1 sec ~ 1/10,000sec(50/25 mode)
AGC	Auto/Manual
White Balance	Auto/Indoor/Outdoor/Manual
WDR/BLC	OFF/BLC/WDR(Digital)
Other Function	Dynamic slow shutter

Pan/Tilt

Range	Pan: 360° (Endless) Tilt: -10° ~ 90° (Flip)
Speed	Preset: 240°/sec Manual: 0.1° ~ 250°/sec Scan: 1.4 °~150 °/sec
Preset	255 Presets with Labels
Group	8 groups(Max. 16 presets)

General

Sensor In /Out	Built-in 1 Input / 1 Output(Relay)
Audio In / Out	1 Audio In / 1 Audio Out
Video Out	BNC: VBS 1.0 Vp-p More than 500M, laser Wave: 850nm (with adaptive synchronized with zoom ratio)
IR distance	AC24V 36W
Power	KC, IP66, IK10
Approvals*	Weather proof / Vandal Proof Structure
Housing	Material
Material	Body : Aluminum Die-casting
Dimension	Net: Ø210X353mm
Weight	8Kg(approx.)
Operating Temp.	-45°C ~ 70°C

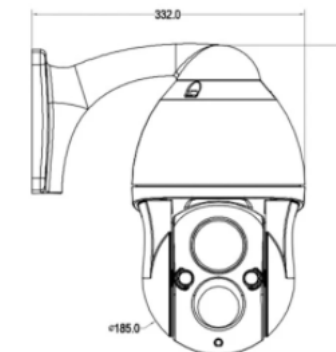
Network

Ethernet	Ethernet 10/100Base-T (RJ-45)	
Video Compression	H.265/H.264/MJPEG	
Video Stream	Main	3840x2160,2592x1944
	Sub	2592x1520,2304x1296
	MJPEG	3840x2160,1920x1080,1280x720
Stream Type	Video/Complex(Video/Audio) Stream	
Frame Rate	H.265/H.264: 25fps@ 3840×2160	
Bitrate	MainStream:10.0Mbps@VBR/Sub Stream:32Kbps@VBR	
Audio Compression	Two way, G.711 A-law, G.711 μ-law, 128kbps, sampling rate 8kHz	
Local Storage	Micro SD/SDHC/SDXC card. Support up to 128GB	
IVA	Motion Detection, Occlusion Detection, Line Crossing*, Region entrance/exiting*, Intrusion*, Tampering*, etc	
Alarm actions	Email, Micro SD/SDCH/SDXC Record, Relay Output, Snapshot, Notification of Client	
Alarm	Pre-Post Alarm	
Max No. of Clients	10 users(Depending on user bandwidth)	
Web Brower	IE 6.0 above	
Protocols Support	IPv4	TCP/IP , HTTP , NTP , IGMP , DHCP , UDP , SMTP , RTP , RTSP , ARP , DDNS , DNS , P2P
	DDNS	Public DDNS services Support: www.dyndns.com
	ONVIF	PROFILE S
	Security	User Authentication(ID/PW), IP Address/Mac Address filtering*

The specifications are subject to change without prior notice. (*) This feature is under development and will be added in the future.

Dimension

Unit: mm



Shenzhen Fengtaida Electronics Co., Ltd

2403F, Building 11, Cloud Park, Gangtuo, Bantian, Longgang District, Shenzhen, China Tel:

+86-0755-25560091 | E-mail: info@fengtaida.com

www.fengtaida.com

202IRmini PTZ Camera



Main features:

- ISpeed Dome Outdoor IP Camera, Waterproof IP66
- High Resolution 2.0MP CMOS Sensor
- Lens: 20X optical zoom (90 Degrees)
- 12Pcs array leds supplement light(Support color night vision),
- 50M IR Night Vision
- Built-in Microphone, Support Two Way Audio Talk
- P2P Motion Detect, Video lost, Network Break
- Wireless Protocols : 802.11b/g/n, 150Mbps, 10-30m
- Support Iphone, Android Smart phone
- PTZ: rotates 360 degrees left and right and rotates 90 degrees vertically;

Specifications

Camera

Image Device	1/2.8" Progressive Scan CMOS
Effective Pixels	Approx. 2.38 Mega pixels
Aspect Ratio	HD: 16:9 SD: 4:3
Zoom Ratio	Optical x36, Digital x12
Focal Length	4.7mm -94mm H: 61.2°~2.32°
Horizontal angle	72.7°(W) ~ 1.8°(T)
MIN. Illumination	COLOR : 0.005 Lux@F1.5 B/W : 0.005 Lux@F1.5, 0 Lux (IR)
Day & Night	Auto(CDS/CAM) / Day / Night(ICR)
Focus	Auto/Semi Auto/Manual
DNR(2D/3D)	OFF/Level Adjustment(1~5)
Shutter Speed	1 sec ~ 1/10,000sec(60/30 mode) 1 sec ~ 1/10,000sec(50/25 mode)
AGC	Auto/Manual
White Balance	Auto/Indoor/Outdoor/Manual
WDR/BLC	OFF/BLC/WDR(Digital)
Other Function	Defog(Digital), HLC, Dynamic slow shutter

Pan/Tilt

Range	Pan: 360° (Endless) Tilt: -10° ~ 90° (Flip)
Speed	Preset: 240°/sec Manual: 0.1° ~ 180°/sec Scan: 1.4°~240 /sec
Preset	241 Presets with Labels
Group	3 groups

General

Sensor In /Out	Built-in 1 Input / 1 Output(Relay)
Audio In / Out	1 Audio In / 1 Audio Out
Video Out	BNC: VBS 1.0 Vp-p
IR distance	More than 50M
Power	AC24V 36W
Approvals*	KC, IP66, IK10
Housing	Weather proof / Vandal Proof Structure
Material	Body : Aluminum Die-casting
Dimension	Net: Ø226 x 363(H) mm
Weight	4Kg(approx.)
Operating Temp.	-45°C ~ 70°C

Network

Ethernet	10Base-T/100Base-Tx	
Video Compression	H.265/H.264/MJPEG	
Video Stream	Main	1080p/720p
	Second	D1/CIF/QCIF
	Third	1080p/720p/D1/CIF/QCIF
Stream Type	Video/Complex(Video/Audio) Stream	
Frame Rate	Max. 30 /25 fps for 1080P/720P/D1/CIF/QCIF	
Bitrate	30Kbps ~ 16Mbps. Supports CBR/VBR/FIX QP	
Audio Compression	Two way, G.711 A-law, G.711 μ-law, 128kbps, sampling rate 8kHz	
Local Storage	Micro SD/SDHC/SDXC card. Support up to 128GB	
IVA	Motion Detection, Occlusion Detection, Line Crossing*, Region entrance/exiting*, Intrusion*, Tampering*, etc	
Alarm actions	Email, Micro SD/SDCH/SDXC Record, Relay Output, Snapshot, Notification of Client	
Alarm	Pre-Post Alarm	
Max No. of Clients	10 users(Depending on user bandwidth)	
Web Brower	IE 6.0 above	
Protocols Support	IPv4	IPv4/IPv6*, TCP/IP, UDP, RTP, RTSP, RTMP, NTP, HTTP, HTTPS*, SSL*, DNS, DDNS, DHCP, FTP, SMTP, ICMP, SNMP*
	DDNS	Public DDNS services Support: www.dyndns.com
	ONVIF	PROFILE S
	Security	User Authentication(ID/PW), IP Address/Mac Address filtering*

The specifications are subject to change without prior notice. (*) This feature is under development and will be added in the future.

Dimension

Unit: mm



Shenzhen Fengtaida Electronics Co., Ltd

2403F, Building 11, Cloud Park, Gangtou, Bantian, Longgang District, Shenzhen, China

Tel: +86-0755-25560091 | E-mail: info@fengtaida.com

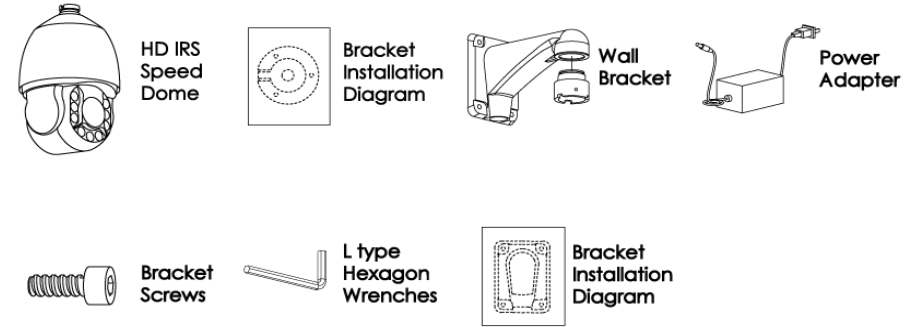
www.fengtaida.com

About Model:

① ② ③ ④ ⑤ ⑥
G 38 8 5 IR6-AI

NO	Code	Meaning
1	G	with 4G/wifi funtion
	S	with Solar funtion
	E	with PoE funtion
	SG	with Solar+4G funtion
2	36	36X Optical zoom
	20	20X Optical zoom
3	8	8M Megapixels
	5	5M Megapixels
	2	2M Megapixels
4	5	500m IR Range
	2	200m IR Range
5	IR6	IR6 modeling
	IRS	IRS modeling
	IRS2	IRS2 modeling
6	AI	auto tracking

What's included



Note: Camera configuration and number of accessories may vary by model, Please refer to your package for specific details. Your accessories might appear different from the ones depicted.

ACCESSORIES

PTZ BRACKETS

Model	Image				
Model					
Description	Wall mount Bracket	Corner Mount	Pole Mount	PTZ Junction box	Ceiling Pendant



Shenzhen Fengtaida Electronics Co., Ltd

2403F, Building 11, Cloud Park, Gangtou, Bantian, Longgang District, Shenzhen, China

Tel: +86-0755-25560091 | E-mail: info@fengtaida.com

www.fengtaida.com