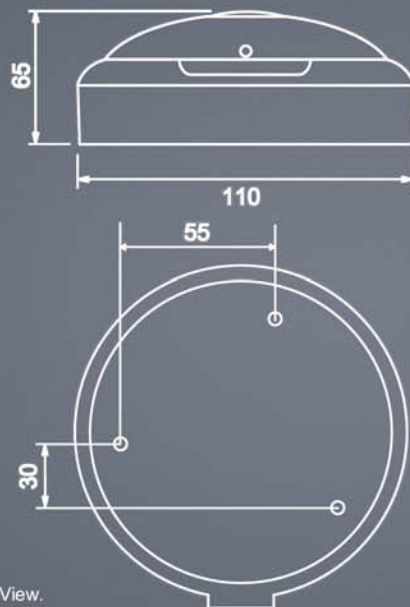




ANYCAM
CRYSTAL VISION

Fisheye Network Camera FE-5MIP-F01

5 Megapixels · 360 Degree View · Vandal Resistant



Unit:mm

Features

- Onvif compliant.
- Two way audio support.
- Vandal-proof IK10-rated housing.
- Built-in 802.3af compliant PoE.
- 3GPP mobile surveillance support.
- Support Privacy mask function.
- USB slot for Wi-Fi / 3G Modem adapter.
- Virtual ePTZ for efficiency surveillance.
- Support motion detection and video output.
- Built in surge protector best for outdoor usage.
- Removable IR-cut filter for Day & Night function.
- Micro SD/SDHC and USB slot for On-board storage.
- Up to 5-Megapixel (2,592 x 1,920) video resolution.
- H.264 and MJPEG multiple simultaneous streams.
- Fisheye Lens for 180° Panoramic View & 360° Surround View.
- Free bundle 64-Channel NVR and CMS software.

Introduction

I-View's FE-5MIP-F01 is the latest fisheye fixed dome network camera, featuring a detailed 5-Megapixel resolution with superb image quality. Equipped with a fisheye lens for 180° panoramic view (wall mount) or 360° surround view that allows you to monitor all angles of a location using just one camera without blind spots, and also offers various display layouts, including original surround view, panoramic view, and regional view for various mounting applications. With the cutting-edge image processing capabilities, hemispherical images captured from the fisheye camera can be converted into conventional rectilinear projection for viewing and analysis. In addition, the users can utilize the ePTZ function to easily zoom in and focus on a region of interest. The fisheye camera able to provide coverage of wide, open areas, such as bank, airports, office, parking lots, shopping malls, retail stores and more.



Technical Specifications

System <ul style="list-style-type: none"> Platform: TI DM368 SoC CPU; 128MB Flash; 256MB DDR II RAM and Linux 2.6 Embedded O.S. 	Video Setting <ul style="list-style-type: none"> Compression: Video: 0.5M ~ 8M bits/sec (CBR/VBR/CVBR configurable) H.264 MP/SP, MPEG-4, M-JPEG Resolution: 2592x1920, 2048x1536, 1920x1080, 1600x1200, 1280x1024, 1280x960, 1024x768, 1280x720, 320x240, 352x192, 320x192, 288x192, 256x192 Frame Rate: 5-Mega: 10 fps; 3-Mega: 17 fps; 1080p: 30 fps @ H.264/ M JPEG, Mode and frame rate can be adjustable Streaming: H.264/MJPEG/3GPP multi video stream Control: Video parameters adjustment, Motion detection, Mirror, Privacy mask, AES/AWB/AGC/BLC support. Color: 0.5 Lux 1/F1.2. Overlay: Text / Time Stamp / Watermark overlay on video clips
Image Device <ul style="list-style-type: none"> 1/2.5" 5-Megapixels (2592 x 1920) Progressive CMOS sensor 	
Audio Setting <ul style="list-style-type: none"> G.711 & AAC audio encoding and decoding. External microphone input and speaker output. Support two-way audio. 2Vp-p audio in; 30mw audio output with 6Ω impedance. 	
Network <ul style="list-style-type: none"> Protocol: HTTP, HTTPS, TCP/ IP, IPv4, IPv6,UDP, SMTP, FTP, DHCP, DDNS,NTP, DNS, SNMP, RTSP, RTP/RTCP, Bonjour, PPPoE, QoS, UPnP, Multicast Interface: 10BASE-T/100 BASE-TX, Wi-Fi (Optional) Compatible: Onvif compliant 	
Surge Protector <ul style="list-style-type: none"> Video: Peak Inverse Blocking Voltage: VPIB= 100V; Peak Pulse Current: Ipp=44A; Clamping Voltage: 10V @ Ipp= 5A Power: Maximum Energy: 3.6J @10/1000μs; Clamping Voltage: 16.8KA(1 Time)/8.4KA(2 Times) @8/20μs (1 Time); Insulation Resistance: ≥ 10000MΩ 	
Security <ul style="list-style-type: none"> Password Protection, Https encryption data transmission, User access log; IP address filtering - Multi-level user access with password protection; 802.1X port-based authentication for network protection 	
Management <ul style="list-style-type: none"> Time management: Manual Time Setting; Time Server and NTP support; Real Time Clock. Event management: Events triggered by Motion detection or sensor with configured schedule. Event notification: Event notification using FTP, SMTP, Samba server or Alarm output triggered. Update: Support Firmware update. 	
Browse <ul style="list-style-type: none"> Internet Explorer 6.0 above. 	
	I/O Port <ul style="list-style-type: none"> Alarm out x1; Alarm in x1; Audio in; Audio out; RS-485; TV out; Micro SD/SDHC; USB; RJ-45 (Green LED indicates linking status)
	Lens & IR Illuminators <ul style="list-style-type: none"> Lens: f=1.05 mm/ F2.8 IR Cut: Built in removable IR-cut filter for day & night function.
	Storage <ul style="list-style-type: none"> Micro SD (up to 64GB) & USB slot for on-board storage & USB support for Wi-Fi Adaptor; Support Pre-recording and Post recording; Backup/Restore to device configuration file; Upload data to FTP/SMTP/Samba Server.
	Housing <ul style="list-style-type: none"> IK10-rated Aluminum housing; IP65 waterproof housing (Optional)
	Dimension/Weight <ul style="list-style-type: none"> Ø110mm x 65 mm (H) / 0.38Kg
	Operation <ul style="list-style-type: none"> Power: DC12V, maximum 4W PoE IEEE 802.3af Class 3 Temperature: -20°C ~ 50°C; Humidity 20% ~ 80% RH
	Accessories <ul style="list-style-type: none"> Support Wall mount & Ceiling mount Bracket (Optional)

* Product specifications are subject to change without notice.
* All other trademarks belong to their respective owners, AnyCam® is trademark 2011 of I-View Communication Inc.



Ordering Information

FE-5MIP-□□□□

F: Full function includes Audio in/out; Alarm in/out, USB; Micro SD/SDHC; RS-485
Lens: F01: 1.05mm

i-view
Secure your world in ours

I-View Communication Inc.
2F, No 70, Min De Rd, Chutung, Hsinchu, Taiwan, R.O.C.
Tel: 886-3-5103001 Fax: 886-3-5103002 Email: info@i-view.com.tw



www.i-view.com.tw