

## Single Port Gigabit PoE Injector, AC100-240V

### ➤ Features

- Supply power to HD network surveillance cameras with Cat5e (PoE);
- Support 2\*10/100/1000M RJ45 ports; 1\*AC input port;
- Support AC input: 100~240V;
- Compatible with IEEE 802.3af/at standard;
- Support non-blocking wire-speed forwarding;
- Plug and play, no configuration, easy to use and maintain;
- The user-friendly panel shows the device status through the LED indicator;
- Can supply power with the spare line pair(4/5 (+), 7/8 (-) method or the data line pair 1/2(+), 3/6(-) method;
- No fan, natural heat dissipation, small, quiet design, suitable for desktop or wall;
- Support -20~55°C wide operating temperature range;
- Support CCC,CE, FCC, RoHS standard;
- Warranty: 3years;



### ➤ Introduction

PI201 PoE Injector is also called as power over Ethernet mid-span devices. Single port PoE injector, that is PoE power supply module, is the most flexible and the hottest products among the power supply devices. There are 2\* RJ45 PoE ports for these single-port PoE injectors, one of which is the Ethernet in Port for the uplink upper switches or other upper network devices, and another is PoE Out port used as the port for network data and power output. These single-port PoE injectors supply power with the spare line pair (4/5 (+), 7/8 (-) method or the data line pair 1/2(+), 3/6(-) method.

These PoE injectors provide a simple, economical, high-performance and intelligent way for Ethernet PoE power supply and data communication. It's ideal choice for those who need the superior quality project because of its simple use, easy to install, superior performance and cost-effective. They can supply power to HD webcam through Cat5 Ethernet cable, in order that make it more flexible for the places difficult to connect to power supply, and provide with more efficient solutions.

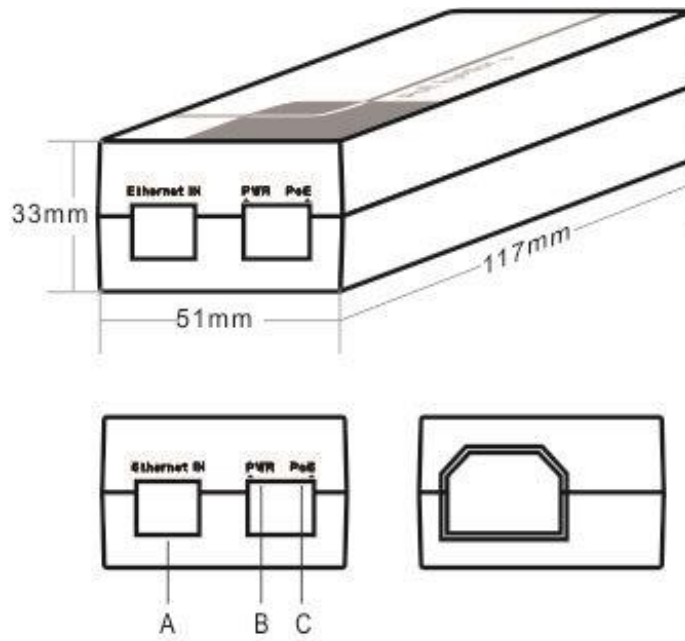
### Application

- HD monitor transmission and power supply
- Security protection system, TV medical treatment
- Network telephone transmission, Intelligent house and home system
- Intelligent transportation supervisory system (ITS)
- High-speed Way supervisory/Tele-Communication System
- Long-distance Multi-media Schooling, Campus monitoring
- Long-distance broadcast television transmission system
- High-building Security Protection, Military Tele-Com project
- Smart City

## ➤ Specification

Interface Characteristics	
Port Description	2*copper cable RJ45 ports, 1*AC input port
Power Supply Pin	Default: 1/2 (+), 3/6 (-), optional:4/5(+), 7/8(-)
Network Medium	1000Base-T: 5Cat and more UTP (≤100 meters)
Thermal Protection	>100°C
Working Rate	10/100/1000Mbps
Network Port Protection	IEC61000-4-2(ESD)
MTBF	100,000 hours
LED Indicator	PoE working status
PoE Standards	IEEE 802.3af/at
Total Power	18W for af, 35W for at
PoE Port Power	15.4W for af, 30W for at
AC Input Voltage	100~240V, 50~60Hz 0.5A
DC Output Voltage	52V
Dimensions	117*51*33mm
Weight	0.14kg
Operation TEMP / Humidity	-20° ~ 55°C;10% ~ 90%% RH Non condensing
Storage TEMP / Humidity	-20° ~ 75°C;10% ~ 95% RH Non condensing
Certification	CE mark, commercial, FCC Part 15 Class B, RoHS
Warranty	3 years warranty

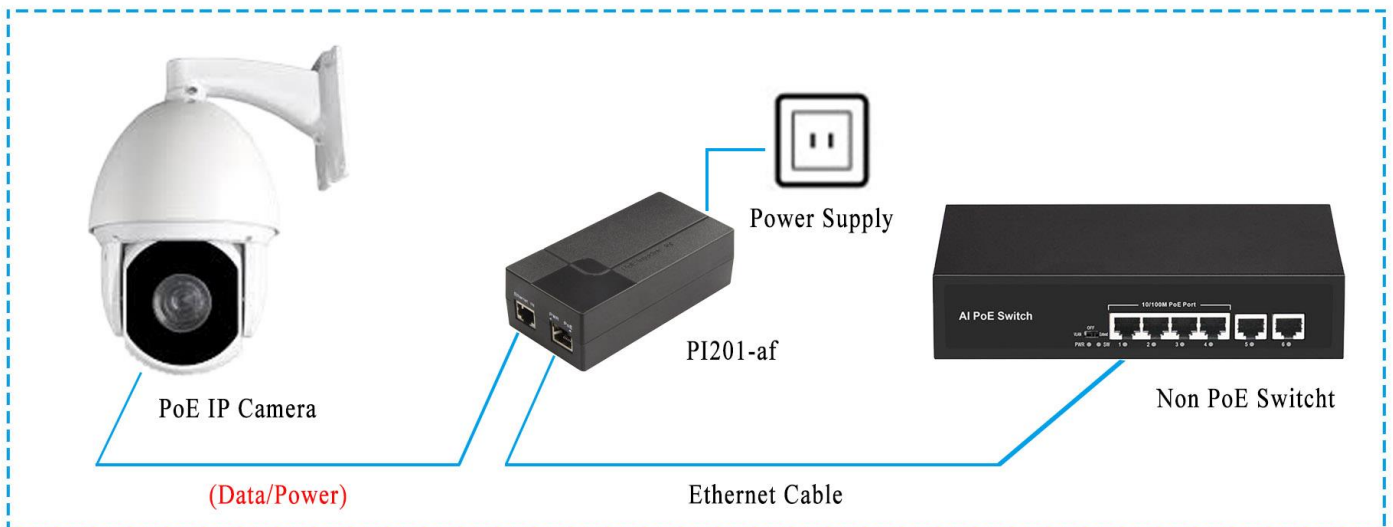
## ➤ Dimension



A. RJ45 Input Port  
C. PoE Output Port

B. Working Led Indicator  
D. Power Input Port - AC100-240V 50/60Hz

## ➤ Connection



## ➤ Ordering Information

Model NO.	Description
PI201-af	Gigabit single port PoE injector, 2*RJ45 ports, IEEE802.3af, 18W, AC100-240V
PI201-at	Gigabit single port PoE injector, 2*RJ45 ports, IEEE802.3at, 35W, AC100-240V
PI201-DC	Gigabit PoE injector, 1*gigabit PoE port + 1*10/100/1000M uplink RJ45 port, DC12-36V

## ➤ Packing List

- Single port Gigabit PoE Injector \*1
- Power Cable \*1
- User Guide \*1
- Warranty Card \* 1