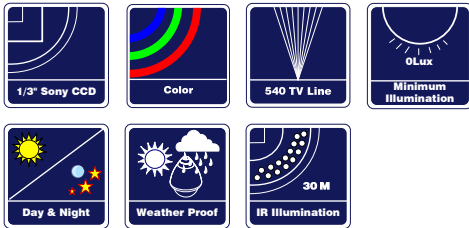


DAR-330CH

**1/3" Hi-Res IR Day/Night Camera,
F2.0/6.0 mm Lens, 850nm LED
Illumination, 30m Projection Distance,
540TVL, 12V DC,**

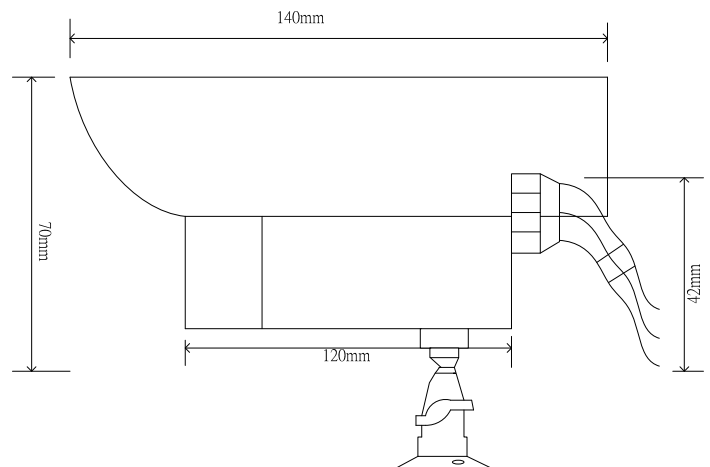
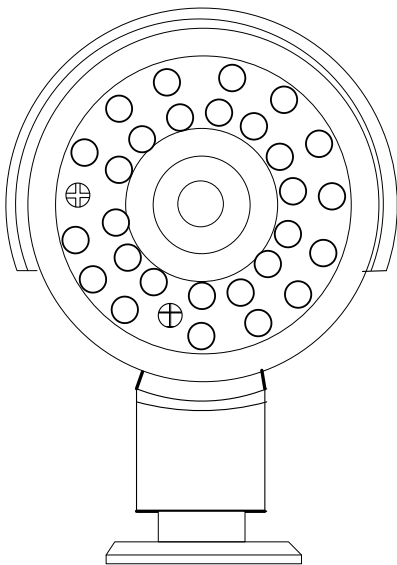


Specifications

System	NTSC/EIA; PAL/CCIR
Pick-up Device	1/3" Sony Inter-line Transfer Super HAD® CCD
Active Picture Elements	NTSC: 510(H) x 492(V) / PAL: 500(H) x 582(V)
Signal Processing	Digital (DSP)
Synchronization System	Internal
Gamma Correct	0.45
Minimum Illumination	IR LED OFF: 0.18Lux (F 1.6 AGC on, 10 IRE); 0.6Lux (F1.6 AGC on, 50 IRE); IR LED on: 0 Lux
Horizontal Resolution	540 TV Line (Color)
Mounting Method	Provided Bracket on Top or Bottom
Day/Night Switching	Automatic Switch to B&W Signal Output at 10 Lux by Light Sensor Control
Window Screen	Coated Optical Glass
Illumination	36x 850nm LEDs
Illumination Distance	Approx. 30m
Sunshield	Included
Dimension	Refer to Drawing
Automatic Shutter Control	NTSC 1/60 ~ 1/10K s; PAL: 1/50 ~100k s
Gamma Correction	0.45
Automatic Gain Control (AGC)	Yes

Signal-to-Noise Ratio	More than 48dB
Aperture Correction (APC)	Horizontal and Vertical
Integrated Lens	6mm F2.0, 3.6mm 4.3mm, 8mm, 12mm
Horizontal View Angle	40 ~ 50 Degree (6mm and 8mm); 50 Degree (4.3mm)
Video Output	1Vp-p CVBS, 75ohm, BNC
External Connections	Video (BNC), DC 12V
Supply Voltage	DC 12V
Power Consumption	4.8W (Max.)
Working Temperature	-10°C ~ +50°C
Housing	Alloyed Aluminum
Color	Silver / Iron-Grey
Protection Standard	IP66

Dimension



Model Selection

DAR-330C-HP: DC 12V, PAL

DAR-330C-HN: DC 12V, NTSC