



CCTV Optical Master
CCOM Lenses

Year 2015

CCOM Electronics Technology, Professional Lens Supplier

Catalog 2015-1

Megapixel M10/M8/M7/M6/M5 Mounted Lenses



CCOM Electronics Technology Co., LTD.

<http://www.megapixellenses.com>

E-mail: cctv.lens@ccom-tech.com; sales01@megapixellenses.com

Tel.: 86-18396532780; Fax: 86-591-22860722

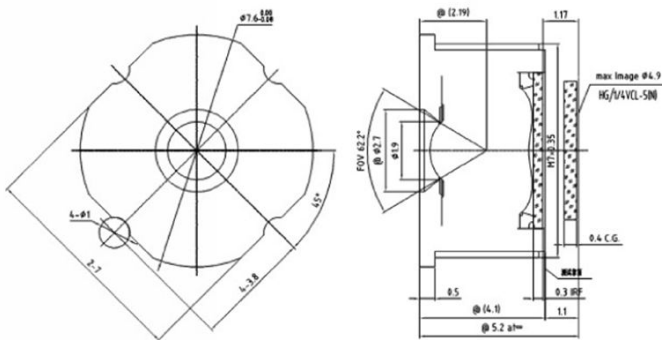
Any lens you need we could source, design and manufacture for you.

CCOM Lens List - Megapixel M10/M8/M7/M6/M5 Mounted Lenses

| Part No. /Model | E.F.L. (mm) | Sensor Format | Resolution | F.B.L (mm) | Aperture / F.No | FOV | Mount | Page |
|--------------------|----------------|------------------|------------|---------------|--------------------|------------------------------|-------|------|
| 14381MPF | 3.81 | 1/4" | 2MP | 1.10 | 2.8 | 80° | M7 | 1 |
| 14038MPF-M6 | 3.8 | 1/4" | 2MP | 0.70 | 2.8 | 68° | M6 | 1 |
| 14033MPF-M7 | 3.3 | 1/4" | 2MP | 0.90 | 2.8 | 63° | M7 | 2 |
| 50033MPF-M6 | 3.3 | ma x5.0 | 2MP | 0.62 | 2.8 | 66° | M6 | 2 |
| 14037MPF | 3.7 | 1/4" | MP | 1.00 | 2.8 | 64°(D)*50°(H)*40°(V) | M7 | 3 |
| 1404226MP | 4.2 | 1/4" | MP | 0.80 | 2.6 | 60° | M7 | 3 |
| 14045MPF | 4.5 | 1/4" | MP | 3.00 | 6.0 | 55° | M7 | 4 |
| 14336MPF-M6 | 3.36 | ma x5.0 | MP | 0.62 | 2.8 | 66° | M6 | 4 |
| 14040MPF-M6 | 4.0 | 1/4" | 5MP | 1.01 | 2.4 | 62°(D)*52°(H)*33°(V) | M6 | 5 |
| 14036MPF | 3.6 | 1/4" | MP | 1.00 | 2.8 | 68°(D)*52°(H)*40°(V) | M8 | 5 |
| 14396MP | 3.96 | 1/4" | 5MP | 0.48 | 2.8 | 63° | M8 | 6 |
| 14043MPF | 4.3 | 1/4" & 1/3.6" | 5MP | 1.40 | 2.8 | 55.7°(1/4") 61.5°(1/3.6") | M7 | 6 |
| 14043MPF-1 | 4.3 | 1/4" | MP | 1.20 | 2.5 | 65° | M7 | 7 |
| 14048MPF | 4.8 | 1/4" | MP | 1.20 | 2.8 | 55° | M7 | 7 |
| 14042MPF-M8 | 4.2 | 1/4" 1/3" | 5MP | 1.04 | 2.4 | 56° | M8 | 8 |
| 13043MPF | 4.3 | 1/3" | MP | 2.50 | 2.8 | 65°(D)*52°(H)*40°(V) | M7 | 8 |
| 15265MPF | 2.65 | 1/5"&1/6" | 2MP | 0.60 | 2.8 | 65° | M5 | 9 |
| 15285MPF | 2.85 | 1/5" | 2MP | 0.61 | 2.8 | 63° | M5.5 | 9 |
| 15030MP | 3.0 | 1/5"&1/6" | MP | 0.95 | 2.4 | 62° | M7 | 10 |
| 15026MPF | 2.6 | 1/5" | MP | 0.80 | 2.8 | 62°(D)*48°(H)*30°(V) | M8 | 10 |
| M7-2008 | 2.05 | 1/6" | 1.3MP | 2.86 | 2.4 | 80°(D)*62°(H)*50°(V) | M7 | 11 |
| 17020MPF | 2.0 | 1/7" | 2MP | 2.10 | 2.8 | 70°(D)*62°(H)*48°(V) | M4.2 | 11 |
| 17020MPF-1 | 2.0 | 1/7" | MP | 0.75 | 2.8 | 68°(D)*52°(H)*33°(V) | M7 | 12 |

| Special Lenses | | | | | | | | |
|--------------------|----------------|------------------|------------|---------------|--------------------|----------------------|-------|------|
| Part No. /Model | E.F.L. (mm) | Sensor Format | Resolution | F.B.L (mm) | Aperture / F.No | FOV | Mount | Page |
| M5-1918 | 1.8 | 1/9" & 1/10" | standard | 0.70 | 2.8 | 60° | M5 | 13 |
| M4-19190 | 1.9 | 1/9" & 1/10" | standard | 0.40 | 2.8 | 55° | M4 | 13 |
| M4-19192 | 1.92 | 1/9" & 1/10" | standard | 0.37 | 2.8 | 55° | M4 | 14 |
| 113080 | 0.8 | 1/13" | standard | 1.385 | 4.0 | 80°(D)*68°(H)*53°(V) | M3.5 | 14 |
| 118068 | 0.68 | 1/18" | standard | 1.121 | 3.0 | 90°(D)*68°(H)*50°(V) | M2.1 | 15 |
| 13598 | 5.98 | 1/3" | standard | 4.80 | 6.5 | 48°(D)*41°(H)*30°(V) | M6.5 | 15 |

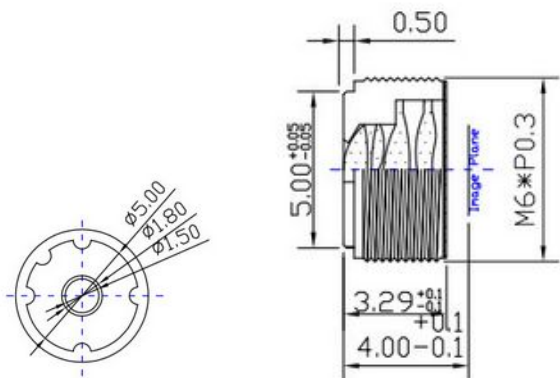
14381MPF



1/4" 3.81mm 2Megapixel M7*0.35 mount lens

| | |
|-------------------|----------|
| Model | 14381MPF |
| SENSOR FORMAT | 1/4" |
| FOCAL LENGTH | 3.81mm |
| F.O.V | 80° |
| RESOLUTION | 2MP |
| DISTORTION | <1% |
| APERTURE | F2.8 |
| MOUNT | M7x0.35P |
| MOD | 10mm |
| BFL | 1.17mm |
| FBL | 1.10mm |
| TTL | 5.20mm |
| LENS CONSTRUCTION | 3P+IR |

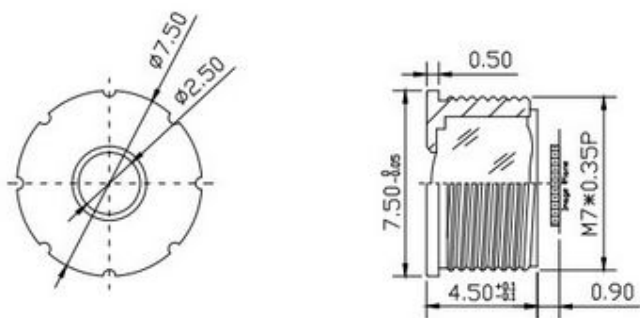
14038MPF-M6



1/4" 3.8mm 2Megapixel M6*0.3 mount lens

| | |
|--------------------------|--------------|
| Model | 14038MPF-M6 |
| SENSOR FORMAT | 1/4" |
| Effective Image Diameter | Φ5.0mm |
| FOCAL LENGTH | 3.8mm |
| F.O.V | 68° |
| RESOLUTION | 2MP |
| TV DISTORTION | <1.2% |
| APERTURE | F2.8 |
| MOUNT | M6x0.3P |
| MOD | 20mm |
| Chief Ray Angle | <20° |
| FBL | 0.7mm |
| TTL | 4.0mm |
| LENS CONSTRUCTION | 4P+IR(645nm) |

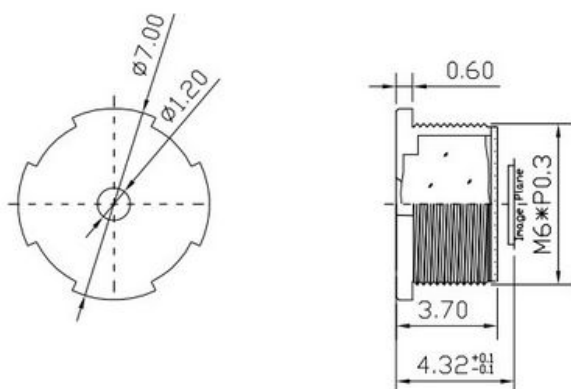
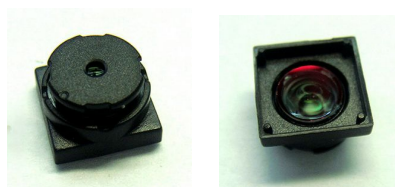
14033MPF-M7



1/4" 3.3mm 2Megapixel M7*0.35 mount lens

| | |
|--------------------------|--------------|
| Model | 14033MPF-M7 |
| SENSOR FORMAT | 1/4" |
| Effective Image Diameter | Φ4.85mm |
| FOCAL LENGTH | 3.3mm |
| F.O.V | 63° |
| RESOLUTION | 2MP |
| TV DISTORTION | <1.0% |
| APERTURE | F2.8 |
| MOUNT | M7x0.35P |
| MOD | 20mm |
| Chief Ray Angle | <24.6° |
| FBL | 0.90mm |
| TTL | 5.4mm |
| LENS CONSTRUCTION | 4P+IR(645nm) |

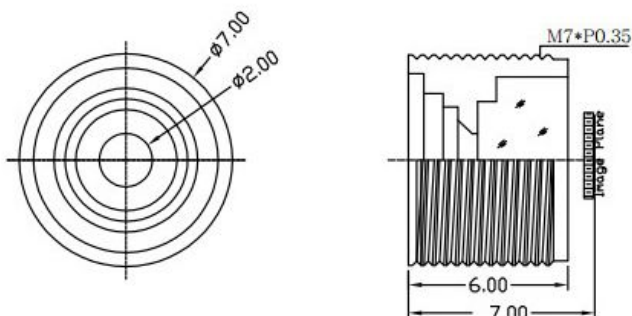
50033MPF-M6



ma x5.0 3.3mm 2Megapixel M6*0.3 mount lens

| | |
|--------------------------|-----------------------|
| Model | 50033MPF-M6 |
| SENSOR FORMAT | ma x5.0, 1/4" |
| Effective Image Diameter | Φ4.9mm |
| FOCAL LENGTH | 3.3mm |
| F.O.V | 66° |
| RESOLUTION | 2MP |
| TV DISTORTION | <1.0% |
| APERTURE | F2.8 |
| MOUNT | M6x0.3P |
| MOD | 20mm |
| Chief Ray Angle | <24° |
| FBL | 0.62mm |
| TTL | 4.32mm |
| LENS CONSTRUCTION | 4P+IR (645+/-10nm) |

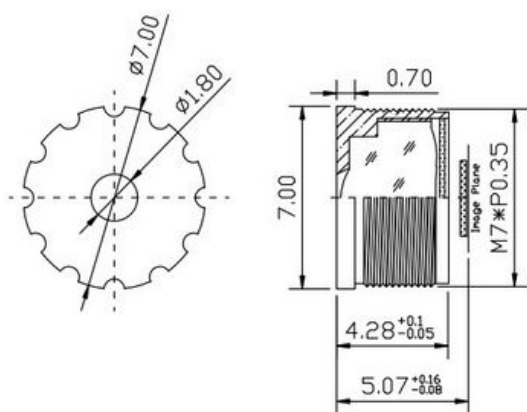
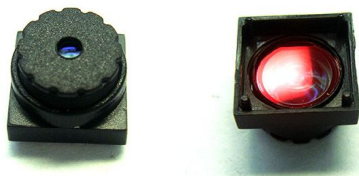
14037MPF



1/4" 3.7mm Megapixel M7*0.35 mount lens

| | |
|-----------------------|-----------------------|
| Model | 14037MPF |
| SENSOR FORMAT | 1/4" |
| MAX IMAGE CIRCLE | $\Phi 5.0\text{mm}$ |
| FOCAL LENGTH | 3.7mm |
| F.O.V (D*H*V) | 64°*50°*40° |
| RESOLUTION | MP |
| OPTICAL DISTORTION | <-1.0% |
| APERTURE | F2.8(infinity) |
| MOUNT | M7x0.35P |
| MOD | 20mm |
| Relative Illumination | 75% |
| FBL | 1.00mm |
| TTL | 7.00mm |
| LENS CONSTRUCTION | 4P+IR (650+/-10nm) |

1404226MP

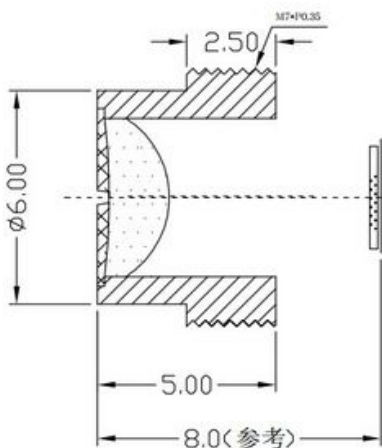


1/4" 4.2mm Megapixel M7*0.35 mount lens

| | |
|--------------------------|-----------------------|
| Model | 1404226MPF |
| SENSOR FORMAT | 1/4" |
| Effective Image Diameter | $\Phi 5.6\text{mm}$ |
| FOCAL LENGTH | 4.2mm |
| F.O.V | 60° |
| RESOLUTION | MP |
| TV DISTORTION | <1.2% |
| APERTURE | F2.6 |
| MOUNT | M7x0.35P |
| MOD | 20mm |
| Chief Ray Angle | <24.6° |
| FBL | 0.80mm |
| TTL | 5.10mm |
| LENS CONSTRUCTION | 4P+IR (650+/-10nm) |

Megapixel M10/M8/M7/M6/M5 Mounted Lenses

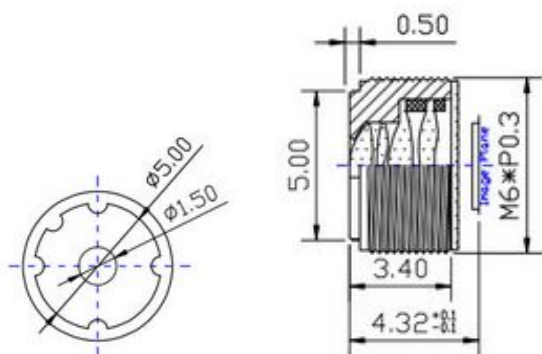
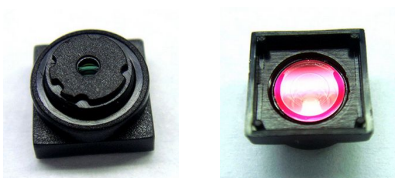
14045MPF



1/4" 4.5mm Megapixel M7*0.35 mount macro lens

| | |
|-----------------------|-----------------------|
| Model | 14045MPF |
| SENSOR FORMAT | 1/4" |
| MAX IMAGE CIRCLE | Φ6.0mm |
| FOCAL LENGTH | 4.5mm |
| F.O.V | 55° |
| RESOLUTION | MP |
| OPTICAL DISTORTION | <-5.0% |
| APERTURE | F6.0(infinity) |
| MOUNT | M7x0.35P |
| MOD | 10mm |
| Relative Illumination | 88% |
| FBL | 3.00mm |
| TTL | 8.00mm |
| LENS CONSTRUCTION | 2P+IR (650+/-10nm) |

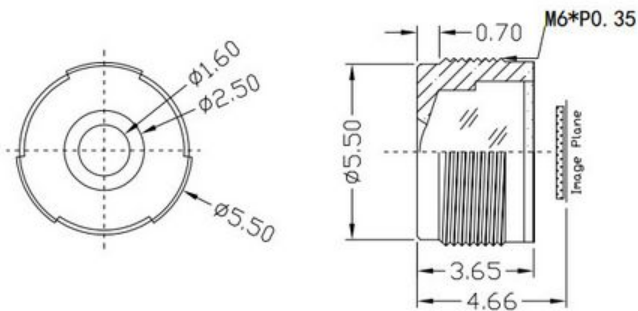
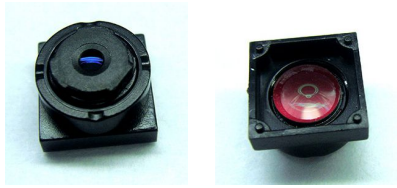
14336MPF-M6



ma x4.85 3.36mm Megapixel M6*0.3 mount lens

| | |
|--------------------------|----------------|
| Model | 14336MPF-M6 |
| SENSOR FORMAT | ma x4.85, 1/4" |
| Effective Image Diameter | Φ4.6mm |
| FOCAL LENGTH | 3.36mm |
| F.O.V | 66° |
| RESOLUTION | MP |
| TV DISTORTION | <1.0% |
| APERTURE | F2.8 |
| MOUNT | M6x0.3P |
| MOD | 20mm |
| Chief Ray Angle | <24.6° |
| FBL | 0.62mm |
| TTL | 4.32mm |
| LENS CONSTRUCTION | 4P+IR(645nm) |

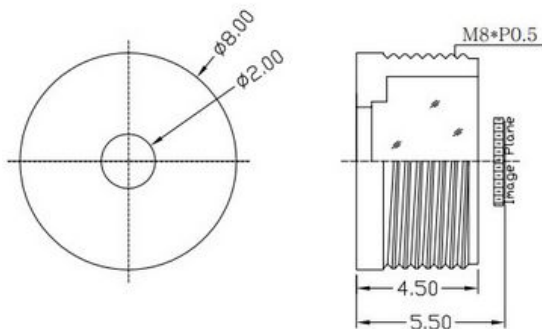
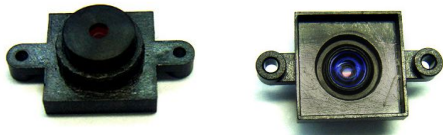
14040MPF-M6



1/4" 4mm 5Megapixel M6*0.35 mount lens

| | |
|-----------------------|--|
| Model | 14040MPF-M6 |
| SENSOR FORMAT | 1/4" |
| MAX IMAGE CIRCLE | Φ5.20mm |
| FOCAL LENGTH | 4.0mm |
| F.O.V (D*H*V) | 62°(Φ4.50mm) *52°(Φ3.84mm) *33°(Φ2.40mm) |
| RESOLUTION | 5MP |
| TV DISTORTION | <1.0% |
| APERTURE | F2.4(infinity) |
| MOUNT | M6x0.35P |
| MOD | 20mm |
| Relative Illumination | 68% |
| FBL | 1.01mm |
| TTL | 4.66mm |
| LENS CONSTRUCTION | 4P+IR (650+/-10nm) |

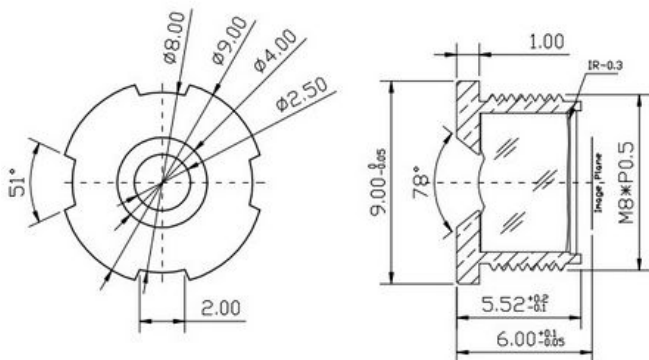
14036MPF



1/4" 3.6mm Megapixel M8*0.35 mount lens

| | |
|-----------------------|-----------------------|
| Model | 14036MPF |
| SENSOR FORMAT | 1/4" |
| MAX IMAGE CIRCLE | Φ5.0mm |
| FOCAL LENGTH | 4.0mm |
| F.O.V (D*H*V) | 68°*52°*40° |
| RESOLUTION | MP |
| OPTICAL DISTORTION | <-1.0% |
| APERTURE | F2.8(infinity) |
| MOUNT | M8x0.35P |
| MOD | 20mm |
| Relative Illumination | 70% |
| FBL | 1.0mm |
| TTL | 5.5mm |
| LENS CONSTRUCTION | 4P+IR (650+/-10nm) |

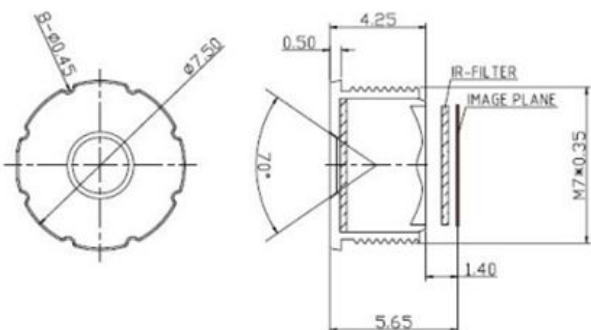
14396MP



1/4" 3.96mm 5Megapixel M8*0.35 mount lens

| | |
|--------------------------|--------------|
| Model | 14396MPF |
| SENSOR FORMAT | 1/4" |
| Effective Image Diameter | Φ4.85mm |
| FOCAL LENGTH | 3.96mm |
| F.O.V. | 63° |
| RESOLUTION | 5MP |
| TV DISTORTION | <1.0% |
| APERTURE | F2.8 |
| MOUNT | M8x0.35P |
| MOD | 20mm |
| Chief Ray Angle | <24.6° |
| FBL | 0.48mm |
| TTL | 6.00mm |
| LENS CONSTRUCTION | 4P+IR(645nm) |

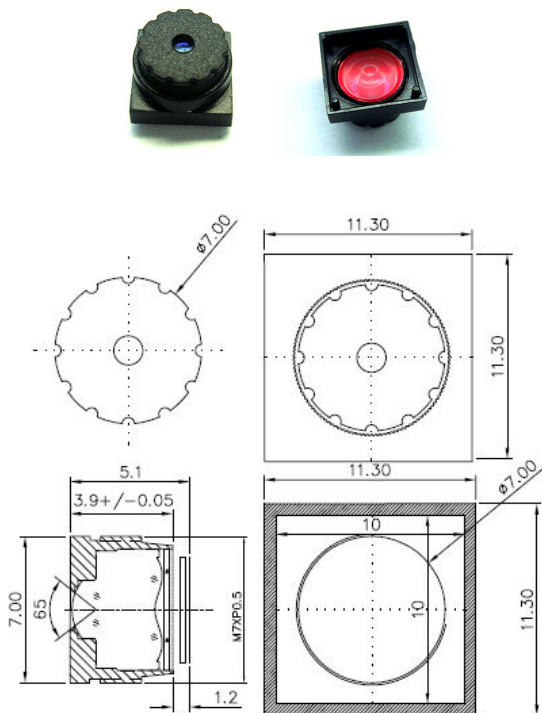
14043MPF



1/4" 1/3.6" 4.3mm 3Megapixel M7*0.5 mount lens

| | |
|--------------------|--|
| Model | 14043MPF |
| SENSOR FORMAT | 1/4"(OV5640, OV5643...), 1/3.6"(OV7255...) |
| FOCAL LENGTH | 4.3mm |
| F.O.V.(DIAGONAL) | 55.7°(1/4") 61.5°(1/3.6) |
| RESOLUTION | 5MP |
| OPTICAL DISTORTION | <1.0% |
| APERTURE | F2.8 |
| MOUNT | M7x0.5P |
| MOD | 20mm |
| FBL | 1.40mm |
| TTL | 5.56mm |
| LENS CONSTRUCTION | 5E(IR650) |

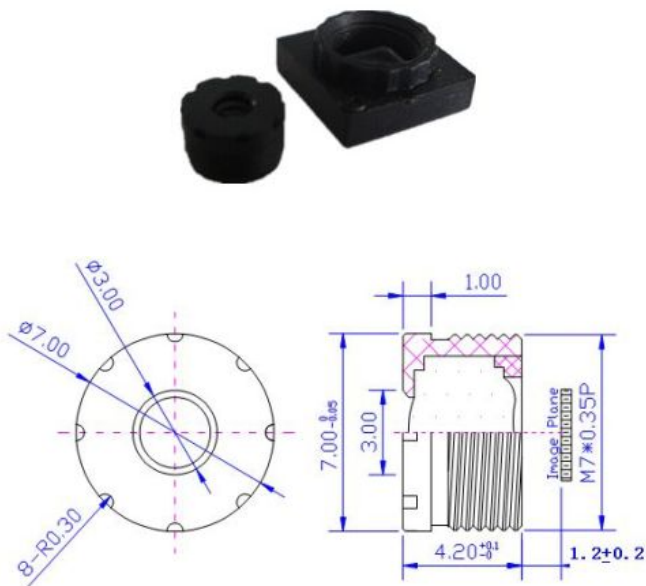
14043MPF-1



1/4" 4.3mm Megapixel M7*0.35 mount lens

| | |
|--------------------|------------|
| Model | 14043MPF-1 |
| SENSOR FORMAT | 1/4" |
| FOCAL LENGTH | 4.3mm |
| F.O.V.(DIAGONAL) | 65° |
| RESOLUTION | MP |
| OPTICAL DISTORTION | <1.0% |
| APERTURE | F2.5 |
| MOUNT | M7x0.35P |
| MOD | 20mm |
| BFL | 1.70mm |
| FBL | 1.20mm |
| TTL | 5.10mm |
| LENS CONSTRUCTION | 3P+IR |

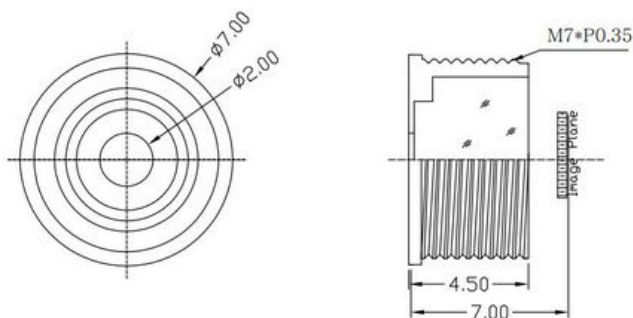
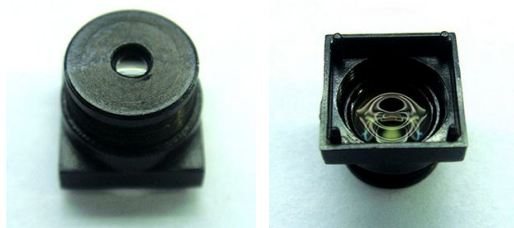
14048MPF



1/4" 4.8mm Megapixel M7*0.35 mount lens

| | |
|--------------------|----------|
| Model | 14048MPF |
| SENSOR FORMAT | 1/4" |
| FOCAL LENGTH | 4.8mm |
| F.O.V.(DIAGONAL) | 55° |
| RESOLUTION | MP |
| OPTICAL DISTORTION | <-1.0% |
| APERTURE | F2.8 |
| MOUNT | M7x0.35P |
| FOCUS | >20cm |
| Chief Ray Angle | 25° |
| MTF | 100pl/m |
| BFL | 1.20mm |
| TTL | 5.40mm |
| LENS CONSTRUCTION | 3P+IR |

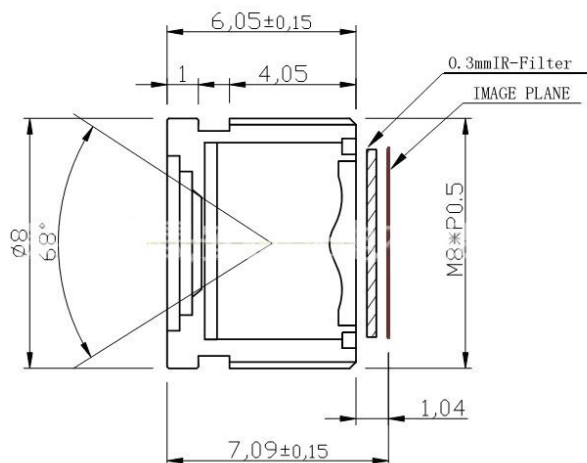
13043MPF



1/3" 4.3mm Megapixel M7*0.35 mount lens

| | |
|-----------------------|-----------------------|
| Model | 13043MPF |
| SENSOR FORMAT | 1/3" |
| MAX IMAGE CIRCLE | Φ6.2mm |
| FOCAL LENGTH | 4.3mm |
| F.O.V.(D*H*V) | 65°*52°*40° |
| RESOLUTION | MP |
| OPTICAL DISTORTION | <-1.0% |
| APERTURE | F2.8(infinity) |
| MOUNT | M8x0.35P |
| MOD | 20mm |
| Relative Illumination | 75% |
| FBL | 2.50mm |
| TTL | 7.00mm |
| LENS CONSTRUCTION | 4P+IR (650+/-10nm) |

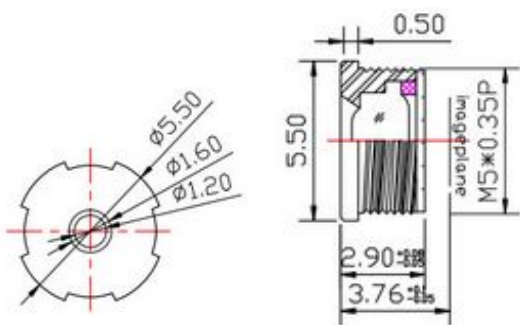
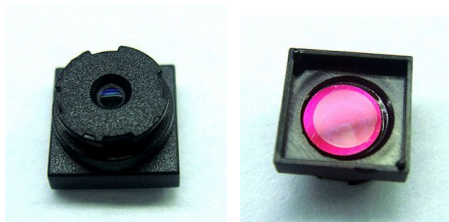
14042MPF-M8



1/4" 4.2mm 5Megapixel M8*0.5 mount lens

| | |
|--------------------|-------------|
| Model | 14042MPF-M8 |
| SENSOR FORMAT | 1/4", 1/3" |
| FOCAL LENGTH | 4.2mm |
| F.O.V.(D) | 56° |
| RESOLUTION | 5MP |
| OPTICAL DISTORTION | <1.0% |
| APERTURE | F2.4 |
| MOUNT | M8x0.5P |
| MOD | 30cm |
| BFL | 1.04mm |
| TTL | 7.09mm |
| LENS CONSTRUCTION | 5E+IR |

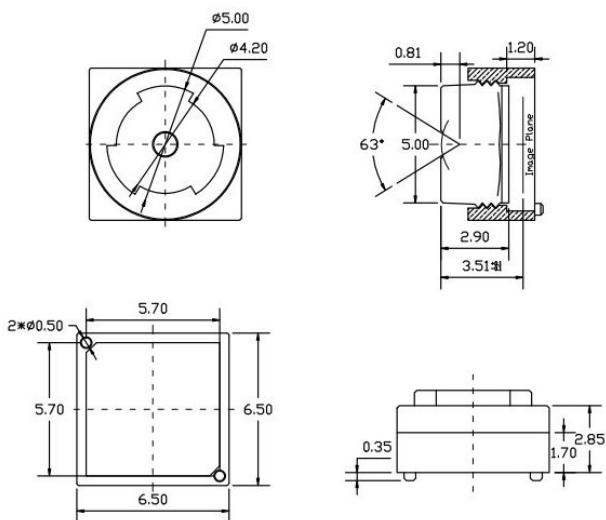
15265MPF



1/5" & 1/6" 2.65mm 2Megapixel M5*0.35 mount lens

| | |
|--------------------------|---------------|
| Model | 15265MPF |
| SENSOR FORMAT | 1/5" & 1/6" |
| Effective Image Diameter | Φ3.65mm |
| FOCAL LENGTH | 2.65mm |
| F.O.V. | 65° |
| RESOLUTION | 2MP |
| TV DISTORTION | <1.0% |
| APERTURE | F2.8 |
| MOUNT | M5x0.35P |
| MOD | 20mm |
| Chief Ray Angle | <24.6° |
| FBL | 0.6mm |
| TTL | 3.76mm |
| LENS CONSTRUCTION | 4P+IR (645nm) |

15285MPF

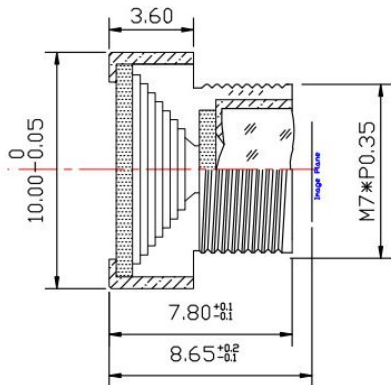


1/5" 2.85mm 2Megapixel M5*0.35 mount lens

| | |
|--------------------------|---------------|
| Model | 15285MPF |
| SENSOR FORMAT | 1/5" |
| Effective Image Diameter | Φ3.85mm |
| FOCAL LENGTH | 2.85mm |
| F.O.V. | 63° |
| RESOLUTION | 2MP |
| TV DISTORTION | <1.0% |
| APERTURE | F2.8 |
| MOUNT | M5.5x0.35P |
| MOD | 20mm |
| Chief Ray Angle | <26° |
| FBL | 0.61mm |
| TTL | 3.51mm |
| LENS CONSTRUCTION | 3P+IR (645nm) |

Megapixel M10/M8/M7/M6/M5 Mounted Lenses

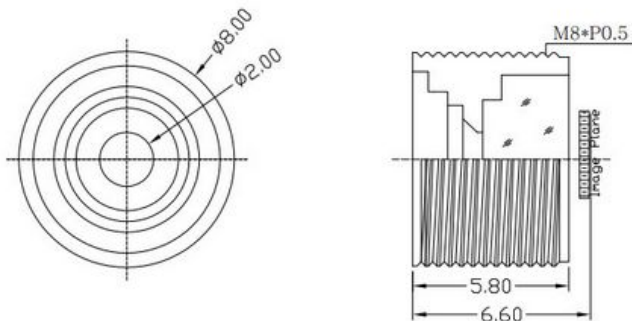
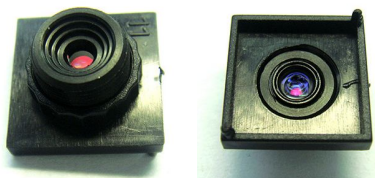
15030MPF



1/5" & 1/6" 3mm Megapixel M7*0.35 mount lens

| | |
|--------------------------|---------------|
| Model | 15030MPF |
| SENSOR FORMAT | 1/5" & 1/6" |
| Effective Image Diameter | Φ4.2mm |
| FOCAL LENGTH | 3.0mm |
| F.O.V. | 62° |
| RESOLUTION | MP |
| TV DISTORTION | <1.0% |
| APERTURE | F2.4 |
| MOUNT | M7x0.35P |
| MOD | 20mm |
| Chief Ray Angle | <24.6° |
| FBL | 0.95mm |
| TTL | 8.65mm |
| LENS CONSTRUCTION | 4P+IR (645nm) |

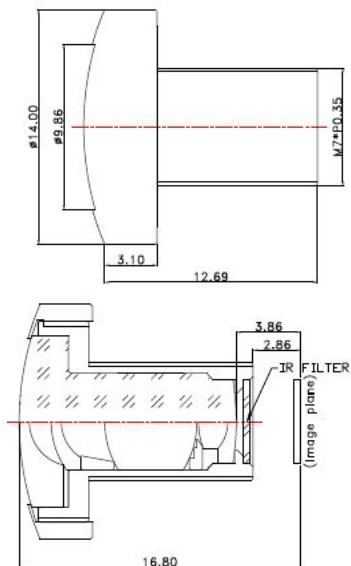
15026MPF



1/5" 2.6mm Megapixel M8*0.5 mount lens

| | |
|-----------------------|-----------------------|
| Model | 15026MPF |
| SENSOR FORMAT | 1/5" |
| MAX IMAGE CIRCLE | Φ3.6mm |
| FOCAL LENGTH | 3.0mm |
| F.O.V. (D*H*V) | 62°*48°*30° |
| RESOLUTION | MP |
| OPTICAL DISTORTION | <-1.0% |
| APERTURE | F2.8(infinity) |
| MOUNT | M7x0.35P |
| MOD | 20mm |
| Relative Illumination | 75% |
| FBL | 0.80mm |
| TTL | 6.60mm |
| LENS CONSTRUCTION | 4P+IR (650+/-10nm) |

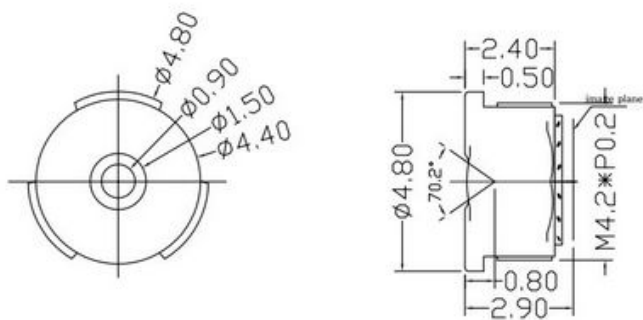
M7-2008



1/6" 2.05mm Megapixel M7*0.35 mount lens

| | |
|-------------------|--------------|
| Model | M7-2008 |
| SENSOR FORMAT | 1/6" MT9M114 |
| FOCAL LENGTH | 2.05mm |
| F.O.V. (D*H*V) | 80°*62°*50° |
| RESOLUTION | MP |
| APERTURE | F2.4 |
| MOUNT | M7x0.35P |
| MOD | 20mm |
| BFL | 3.86mm |
| FBL | 2.86mm |
| TTL | 16.8mm |
| LENS CONSTRUCTION | 5G+IR |

17020MPF

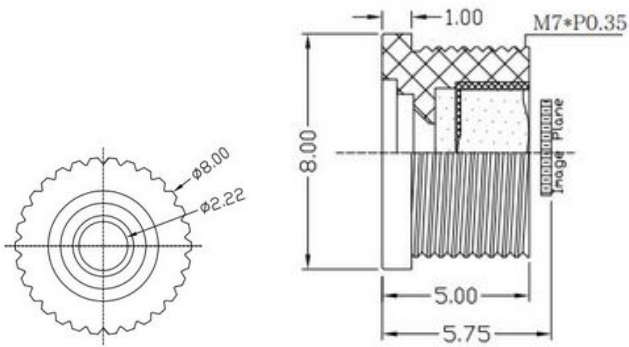


1/7" 2mm 2Megapixel M4.2*0.2mount lens

| | |
|-----------------------|-----------------------|
| Model | 17020MPF |
| SENSOR FORMAT | 1/7" |
| MAX IMAGE CIRCLE | Φ3.0mm |
| FOCAL LENGTH | 2.0mm |
| F.O.V.(D*H*V) | 70°*62°*48° |
| RESOLUTION | 2MP |
| OPTICAL DISTORTION | <1.0% |
| APERTURE | F2.8(infinity) |
| MOUNT | M4.2x0.2P |
| MOD | 20mm |
| Relative Illumination | 70% |
| BFL | 2.0mm |
| TTL | 2.90mm |
| LENS CONSTRUCTION | 4P+IR (650+/-10nm) |

Megapixel M10/M8/M7/M6/M5 Mounted Lenses

17020MPF-1

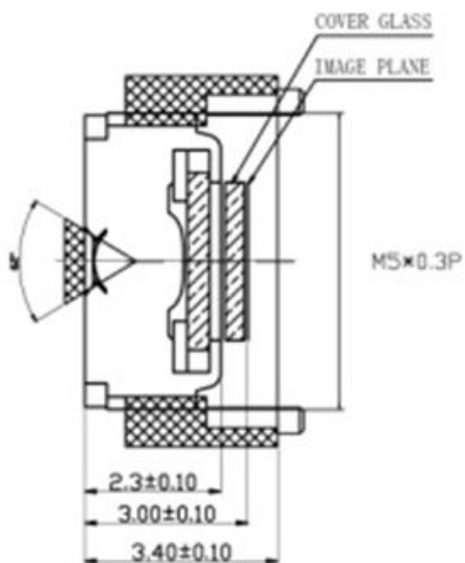


1/7" 2mm 2Megapixel M4.2*0.2mount lens

| | |
|-----------------------|-----------------------|
| Model | 17020MPF-1 |
| SENSOR FORMAT | 1/7" |
| MAX IMAGE CIRCLE | Φ3.0mm |
| FOCAL LENGTH | 2.0mm |
| F.O.V.(D*H*V) | 68°*52°*33° |
| RESOLUTION | MP |
| OPTICAL DISTORTION | <-1.0% |
| APERTURE | F2.8(infinity) |
| MOUNT | M7x0.35P |
| MOD | 20mm |
| Relative Illumination | 68% |
| BFL | 0.75mm |
| TTL | 5.75mm |
| LENS CONSTRUCTION | 4P+IR (650+/-10nm) |

Special Lenses

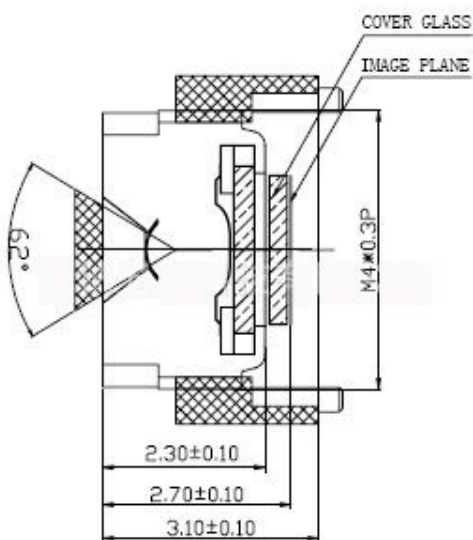
M5-1918



1/9" & 1/10" CMOS VGA 1.8mm M5*0.3 mount lens

| | |
|--------------------|---------------|
| Model | M5-1918 |
| SENSOR FORMAT | 1/9" or 1/10" |
| MAX IMAGE CIRCLE | Φ2.3mm |
| FOCAL LENGTH | 1.8mm |
| F.O.V.(D*H) | 60°*46.5° |
| RESOLUTION | VGA |
| OPTICAL DISTORTION | <0.8% |
| APERTURE | F2.8 |
| MOUNT | M5x0.3P |
| MOD | 10mm |
| FBL | 0.70mm |
| TTL | 3.00mm |
| LENS CONSTRUCTION | 2P+IR(650nm) |

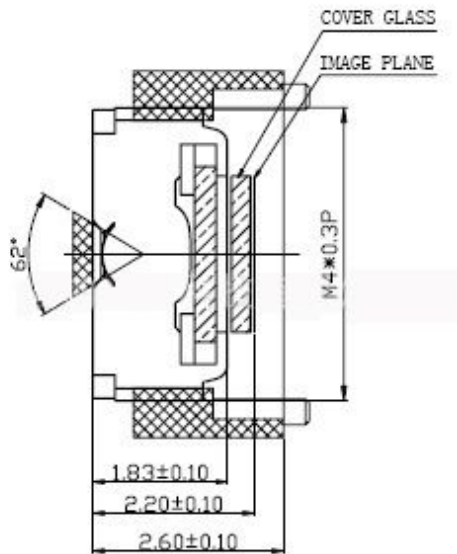
M4-19190



1/9" & 1/10" CMOS VGA 1.9mm M4*0.3 mount lens

| | |
|--------------------|---------------|
| Model | M4-19190 |
| SENSOR FORMAT | 1/9" or 1/10" |
| FOCAL LENGTH | 1.9mm |
| F.O.V.(D) | 55° |
| RESOLUTION | VGA |
| OPTICAL DISTORTION | <0.8% |
| APERTURE | F2.8 |
| MOUNT | M4x0.3P |
| MOD | 10mm |
| FBL | 0.40mm |
| TTL | 2.70mm |
| LENS CONSTRUCTION | 2P+IR(650nm) |

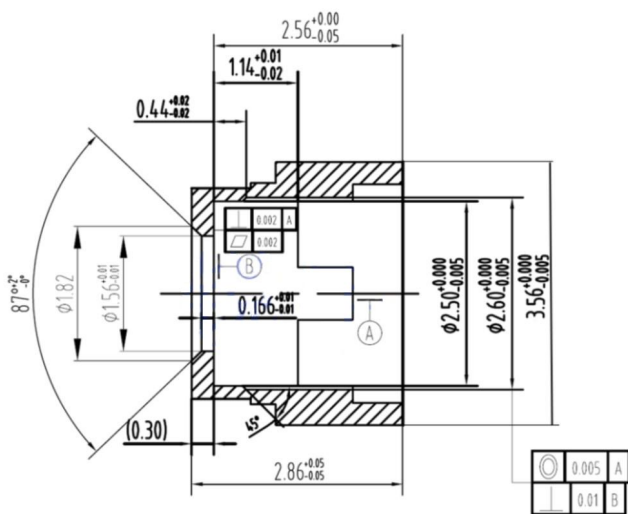
M4-19192



1/9" & 1/10" CMOS VGA 1.92mm M4*0.3 mount lens

| | |
|--------------------|---------------|
| Model | M4-19192 |
| SENSOR FORMAT | 1/9" or 1/10" |
| FOCAL LENGTH | 1.92mm |
| F.O.V.(D) | 55° |
| RESOLUTION | VGA |
| OPTICAL DISTORTION | <0.8% |
| APERTURE | F2.8 |
| MOUNT | M4x0.3P |
| MOD | 10mm |
| FBL | 0.37mm |
| TTL | 2.20mm |
| LENS CONSTRUCTION | 2P+IR(650nm) |

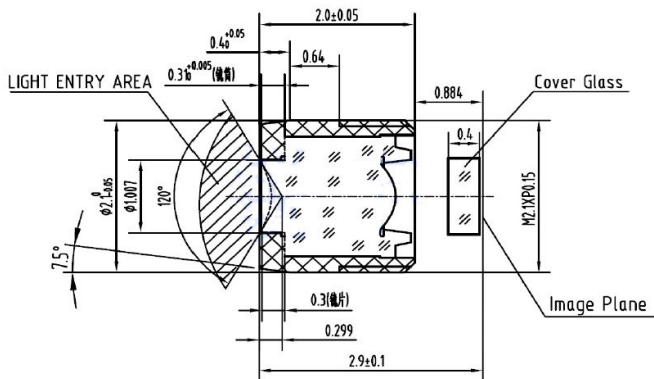
113080



1/13" VGA 0.8mm M3.5*0.25 mount lens

| | |
|--------------------|---------------|
| Model | 113080 |
| SENSOR FORMAT | 1/13" MT9V124 |
| MAX IMAGE CIRCLE | Φ1.6mm |
| FOCAL LENGTH | 0.8mm |
| F.O.V.(D*H*V) | 80°*68°*53.4° |
| RESOLUTION | VGA |
| OPTICAL DISTORTION | <2% |
| APERTURE | F4.0 |
| MOUNT | M3.5x0.25P |
| BFL | 1.385mm |
| TTL | 2.86mm |
| LENS CONSTRUCTION | 2P |

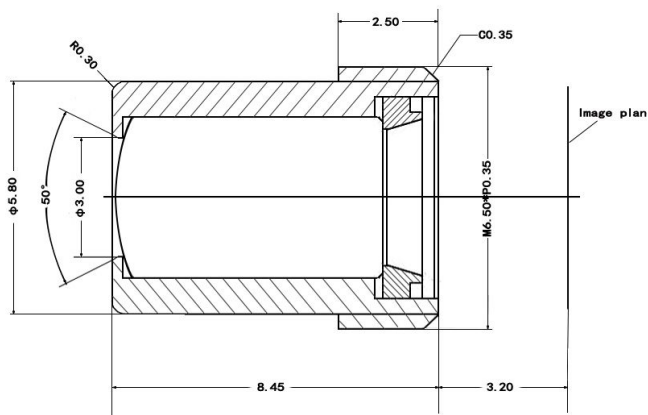
118068



1/18" 0.68mm M2.1*0.15 mount lens for OV6920

| | |
|--------------------|----------------------------|
| Model | 118068 |
| SENSOR FORMAT | 1/18" OV6920 |
| MAX IMAGE CIRCLE | Φ1.2mm |
| FOCAL LENGTH | 0.68mm |
| F.O.V.(D*H*V) | 90°*68°*50° |
| RESOLUTION | VGA |
| OPTICAL DISTORTION | <10% |
| APERTURE | F3.0 |
| MOUNT | M2.1x0.15P |
| MOD | 0~50mm |
| BFL | 1.121mm |
| TTL | 2.90mm (0.4mm cover glass) |
| LENS CONSTRUCTION | 2P |

13598



1/3" 5.98mm M6.5*0.35 mount lens

| | |
|---------------------|--------------------------|
| Model | 13598 |
| SENSOR FORMAT | 1/3" |
| MAX IMAGE CIRCLE | Φ5.5mm |
| FOCAL LENGTH | 5.98mm |
| F.O.V.(D*H*V) | 48°*41°*30° |
| RESOLUTION | VGA |
| APERTURE | F6.5 |
| MOUNT | M6.5x0.35P |
| FOCUS | 50~500mm |
| FBL | 4.8mm |
| TTL | 11.65mm |
| LENS CONSTRUCTION | 5G |
| Typical application | 2D barcode laser scanner |