

TCM-R110S



TCM SERIES HIGH-END MOTORIZED CARD READER AND WRITER

Application

- ATM/CD
- Payment terminal
- Vending machine
- Kiosk
- Fare collection system

Highly reliable card reader and writer of magnetic stripe and smart card

Pointman has developed and upgraded its TCM series - high-end motorized card reader and writer in order to respond to the growing demand for reliability and security in card handling solution.

TCM series are designed for reliable, accurate and secure reading and writing of all three tracks of a standard ISO 7811 magnetic stripe and a standard ISO 7816 smart card data. It also has optional contactless smart card read and write capability.

TCM series offers various security features such as full-shutter, anti-skimming and optionally available anti-phishing to support the increasing demand on security from the field.

TCM series are EMV Level 1 & 2 and PBOC 3.0 Level 1 certified.

Extend the reliability and security of your ATM, CD and payment system with Pointman's TCM series.



Features

- Magnetic ISO 1/2/3 track read/write
- IC card ISO 7816 read/write
- Optional contactless IC card read/write
- Data Encryption with triple DES and single DES
- Full security shutter with pre-head
- RS232C or USB interface
- EMV Level 1 & 2 and PBOC 3.0 Level 1 certified
- Default anti-skimming
- Optional anti-phishing
- Optional metal detecting

Technical Specifications

MAGNETIC STRIPE

- ISO 7810, 7811
- Track 1,2,3 Hi-co/Lo-co read and write capable

CONTACT SMART CARD

- ISO 7816
- T=0, T=1 protocol
- EMV Level 1 & 2, PBOC 3.0 Level 1
- Contact landing type – 8 pin contact

CONTACTLESS SMART CARD (optional)

- ISO 14443 type A & B
- ISO 15693
- Mifare
- other types upon request

CARD SPEED

- MS Read/Write : 450mm/sec \pm 10%
- Card Transport : 560mm/sec(typ.)

INTERFACE

- RS232C or USB

POWER

- +24Vdc \pm 10%, 2A

LIFE TIME

- Unit : more than 4,000,000 passes
- Mag. Head : 4,000,000 passes
- Smart card contact : 1,000,000 contact landing times

ENVIRONMENT CONDITIONS

- Operating Temperature : 5 ~ 50 °C
- Operating Humidity : 20 ~ 80RH
- Storage Temperature : -20 ~ 70 °C
- Storage Humidity : 20 ~ 80 RH

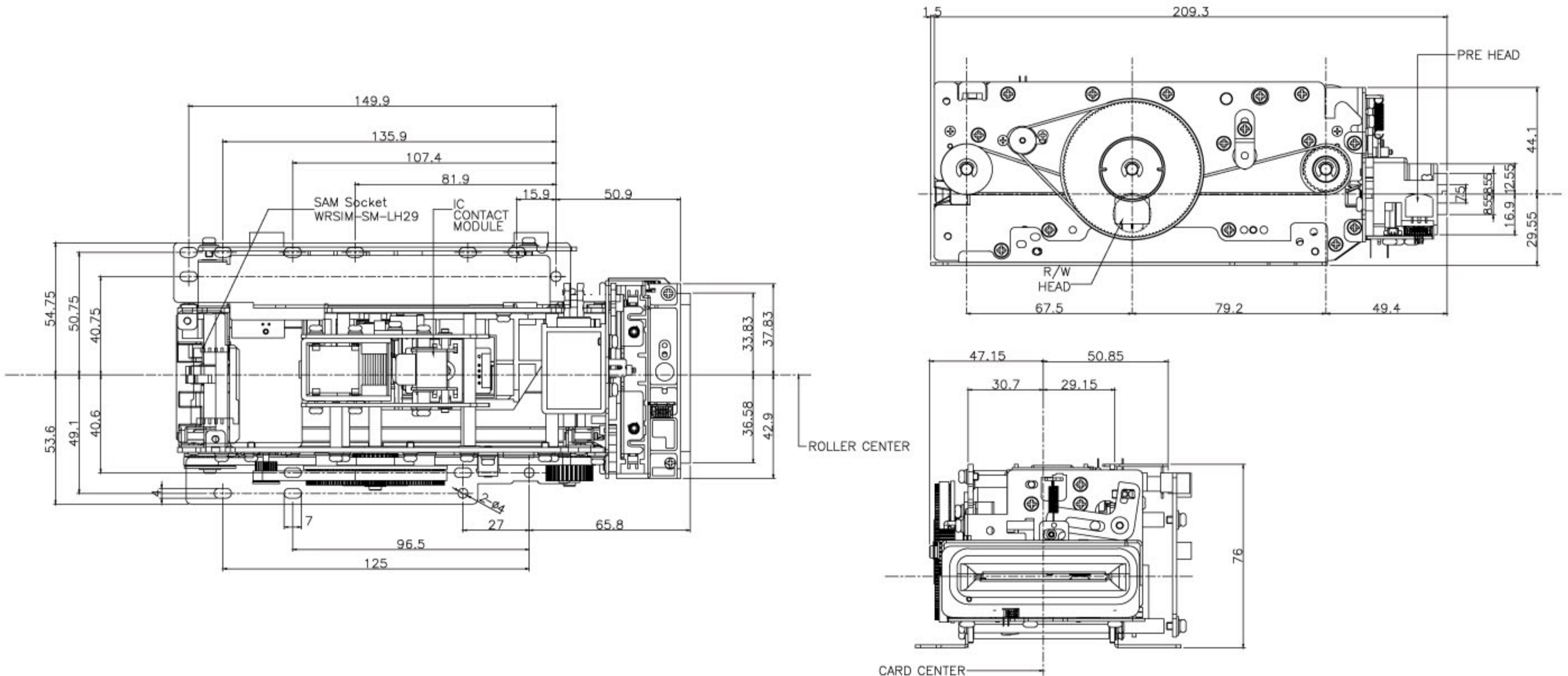
DIMENSION

- 108mm (W) * 76mm (H) * 212mm (L)

WEIGHT

- 1.66 kg

• Specifications are subject to change without notice



Point card reader

Series	Mag. Stripe		Smart IC	IC protocol	Interface	Power	Dimensions(mm)	Remark
TCM	Read	Write	R/W	T=0, T=1	RS232C or USB	+24 DC	108(W)*76(H)*212(L)	High-end Motorized
TTM	Read	X	R/W	T=0, T=1	RS232C or USB	+12 DC	86(W)*43(H)*160(L)	Compact Motorized
TDR	Read	X	R/W	T=0, T=1	RS232C or USB	+12 DC	82.5(W)*50(H)*139.4(L)	Manual insertion

*Optional contactless smart card read/write for all models