



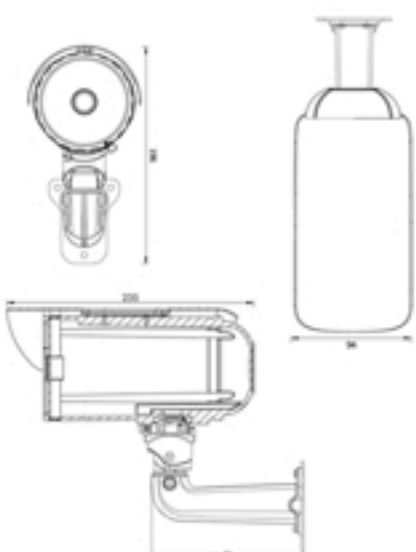
**AR4500H Network Camera**

**5 Megapixel**  
H.264/MPEG4/MJPEG



**features**

- ▶ Built in 1.8"hard drive
- ▶ 5 megapixel progressive CMOS
- ▶ H.264/MJPEG/MPEG4
- ▶ Best colour fidelity
- ▶ IP66 metal housing
- ▶ Built in infrared light
- ▶ Motion detection
- ▶ Day and night
- ▶ Easy installation



AR4500H	specifications
Type	Bullet camera, IP68, built in IR
Sensor	CMOS 1/2,5" Progressive
Resolution	2592x1920 (5 megapixel)
Frames per second	10
Compression	H.264/MJPEG/MPEG4
Lens	3.3-10mm., varifocal, auto-iris, IR
Min. illumination	Color 0,1 Lux / 0 Lux IR
Video out	SMA to BNC
Storage	SD/SDHC, and 1.8" HDD up to 320GB
Image tuning	AES/AWB
Day / Night	Yes
Audio	2 way, with microphone
Motion detection	Yes
Alarm in/out	Yes
Electric supply	DC 12v. / POE 802.3af
Power consumption	DC 10.1W / POE 11W.
Security	Multilevel password, IP filter, HTTPS
Network protocol	TCP/IP, SMTP, FTP, HTTP, RTP/RTSP, RTCP, IPv4, UPnP, DynDNS, NTP, ICMP, DHCP
Networking	10/100 Mbps Ethernet, RJ45
Software platform	ONVIF/PSIA
Working temperature	0°C/50°C.
Weight (Net)	735 gr.
Size	270mm(L) x 94mm(W) x 196mm(H)
Regulatory approvals	CE, FCC, ROHS compliant
Options	

\* All specification are subject to change without notice.