

HD-SDI High-Speed Dome Camera

Model: FG-HS200SDI-06 Series

Module Characteristics:

- 30X optic zoom, 12X digital zoom
- Support auto-iris, auto-focus,AWB,BLC,WDR
- Lens F=4.3mm-129mm
- Support min. Illumination, 0.02Lux/F1.6(color), 0.002Lux/F1.6(black & white)
- Resolution 1080p/60, 1080p/50, 1080p/30,1080p/25, 1080i50, 1080i60, 720p/60, 720p/50



PTZ Characteristics:

- Using high quality CMOS sensor, image resolution, support max. 1920X1080@30fps
- Precise motor drive, sensitive reaction, smooth running, precision error less than 0.1 degree,no image shaking under any speed
- Support PAL/NTSC, which can be suitable for most of areas
- Support RS485 remote control
- Support OSD menu & operating reminders, clear user interface, easy to operate
- Support power-off memory, PTZ & Lens can return former state after power-on again
- Support IP66 weather protection grade
- Pan 360°continuous rotation, tilt(+90°--90°) no dead-angle, auto-flip
- Horizontal speed: 0.1° -200°/s,vertical speed:0.1° -150°/s
- Support 128 presets, 3 scanning tracks, 3 self-learning tracks
- Support 6 programmable tracks, for each track, max. 16 presets added
- Support ZAP function, rotation speed can be automatically adjusted as lens zoom
- Support idle functions,preset/figure/programmable/automatic scanning, can automatically call in a specified time of idle state(including a idle state after power on)
- Support alarm function, 7x in, 2x out (optional)

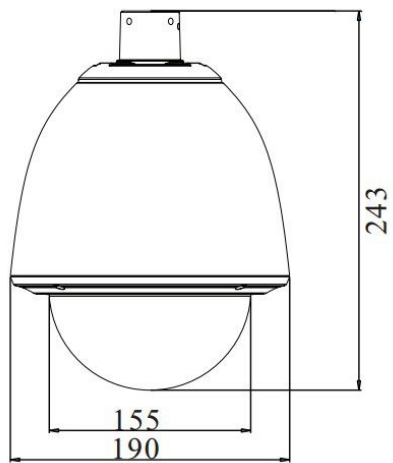
Applications:

HD-SDI High-Speed Dome Camera will be applied to monitoring where need large scale high definition images , such as river, forest,road, railway, airport, port, sentry , plaza, park,scenic region,street,station,large-scale stadium,periphery of community,etc.

Model:

- FG-HS200SDI-06A: full HD camera 18X
- FG-HS200SDI-06B: SONY FCB-EH6300 20X
- FG-HS200SDI-06G: SONY FCB-EH6500 30X
- FG-HS200SDI-06H: SONY FCB-EV7500 30X

Size:



Optional accessories:



Specifications:

Camera	Image sensor	1/2.8 inch Sony Exmor® CMOS sensor
	Effective pixels	2.0 Megapixels
	Zoom	30X optic zoom, 12X digital zoom
	Min. Illumination	0.35lux(F1.6AGC on 1/30s),0.002lux black & white
	WB	Auto/Auto tracks/indoor/outdoor/outdoor auto
	S/N ratio	>50 dB
	WDR	Auto/Manual (on/off)
	Resolution	1080p/60, 1080p/50,1080p/30, 1080p/25, 720p/60, 720p/50, 720p/30, 720p/25
	Focus	Auto/Manual
	Day/Night mode	ICR
	DNR	Support 3D DNR
	Video enhancement	AGC,BLC, AE,WB, Electronic shutter, mirror, DNR, Slow snapshot, Color enhancement
	Privacy masking	Support
	Shutter speed	1/1 to 1/10000 sec
AGC	Auto/Manual (-3 dB to +28 dB, 16 steps)	
Lens	Lens	F=4.3mm -129.0mm
	Aperture range	F1.6-F4.7
	View angle	63.7°(Wide) - 2.3° (Tele)
PTZ	PTZ range	H: 360° , 0.08° to 200° /s V: 90° , 0.08° to 150° /s
	PTZ protocol	Multiple protocol, RS485
	Power-off memory	Support
	Idle action	Support
	Preset	128 presets,6 programmable tracks, 3 scanning track,3 self-learning tracks
	Alarm in/out	7x in, 2x out (optional)
	Video output	BNC (HD-SDI)
Other	Protection grade	IP66
	Work temp	-40°C to 60°C , 0~95% humidity (no condense)
	Size	Φ190 x 243mm
	Power supply	DC12V
	Menu	OSD
	Installation	Wall, ceiling