

## 2.0 Megapixels Network High-duty PTZ with IR & Laser

### Model: FG-TK200IP-LR series

#### Module Characteristics:

- 38 optic zoom, 12X digital zoom
- 2.0 Megapixels full HD SDI video output without delay
- Lens F=8.1mm~310mm, 1KM definition image
- Support Min. Illumination, 0.04 lx (ICR ON, 1/30Sec), 0 Lux with IR
- Resolution 1080p/30, 1080p/25
- Horizontal resolution 1000TVL
- 1/3" 2.0 megapixels progressive scanning CMOS
- Effective pixels 1920 (H) × 1080 (L) 2073K



#### IR Characteristics:

- Min illumination 0Lux
- Using infrared zoom light, low power consumption, radiation distance up to 200m
- Infrared lamp & ratio distance matching algorithm, is based on distance & ratio to adjust brightness and angle of this lamp, making the image to achieve the idle state
- Built-in heat treatment device, reducing PTZ's temp to prevent fogging inside
- Constant current circuit design, infrared lamp life 30000 hours.

#### Laser Characteristics:

- Using synchronous focus system, low power consumption, low temp, Laser night vision will be over 1000m
- Laser lamp & ratio distance matching algorithm, is based on distance & ratio to adjust brightness and angle of this lamp, making the image to achieve the ideal state
- Built-in heat treatment device, which can reduce the temp of dome inside to avoid being fog
- Constant current circuit design, laser lamp life 50000 hours.

#### PTZ Characteristics:

- Using high quality CMOS sensor, image clear, effective pixels 1920(H)× 1080 (L) 2073K
- Precise motor drive, sensitive reaction, smooth running, precision error less than 0.1 degree, no image shaking under any speed
- Support PAL/NTSC, which can be suitable for most of areas
- Support RS485 remote control (optional)
- Support OSD menu & operating reminders, clear user interface, easy to operate
- Support power-off memory, PTZ & Lens can return former state after power-on again
- IP66 weather protection grade
- Pan 360° continuous rotation, tilt(+90°--90°) no dead-angle, auto-flip
- Horizontal speed: 0.1° -80°/s, Vertical speed: 0.1° -80°/s
- Support 128 presets, 1 self-learning track, 4 scanning tracks
- Support 6 programmable tracks, for each track, max. 16 presets added

- Support ZAP function, rotation speed can be automatically adjusted as lens zoom
- Support idle functions, preset/figure/programmable/automatic scanning, can automatically call in a specified time of idle state(including a idle state after power on)
- Support alarm function, 7x in, 2x out (optional).

### **Networks Characteristics:**

- Support H.264/MJPEG compression, dual-stream, high compression ratio & video quality
- Support dual-stream, main stream 1920X1080
- Support module AWC/ATW, AGC, BLC, brightness, color, saturation and contrast, sharpness, etc.
- Percentage zoom limit speed function: Manual controlling speed of has a percentage with the depth of lens focus, make sure to search the aims steady
- The title of IP dome camera, time, stream information, angle, zoom, etc., will be displayed
- Support ONVIF2.3 and GBT28181
- Support protocols , such as TCP/IP, UDP, RTSP, etc
- Support motion detecting, network failure detection, etc., and alarm in , image capture
- Support remote control, cellphone client software
- Support Ethernet control, analog output (CVBS) and RS485 is optional.

### **Applications:**

High-duty PTZ Camera will be applied to monitoring where has no light or light not enough , such as river, forest, road, railway, airport, port, sentry , plaza, park, scenic region, street, station, large-scale stadium, Periphery of community, etc.

### **Model:**

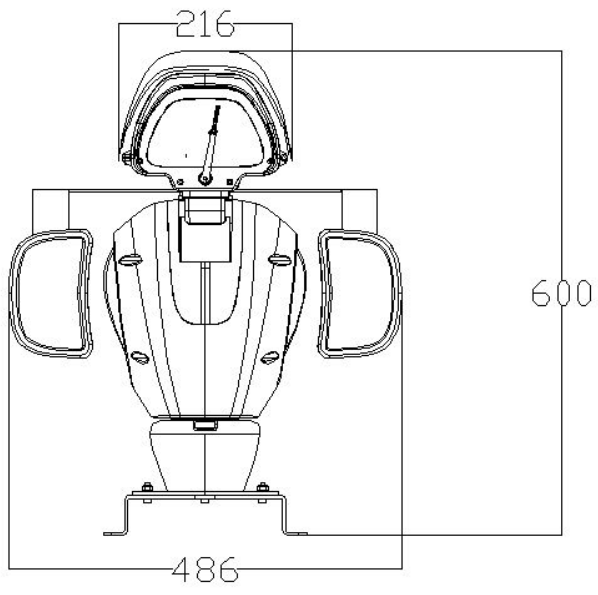
IR Model:

FG-TK200IP-RA: full-HD camera 18X  
 FG-TK200IP-RB: SONYFCB-EH6300 20X  
 FG-TK200IP-RG: SONYFCB-EH6500 30X  
 FG-TK200IP-RH: SONYFCB-EV7500 30X  
 FG-TK200IP-RSP: long-focus 300mm 38X

IR&Laser Model:

FG-TK200IP-LRA: full-HD camera 18X  
 FG-TK200IP-LRB: SONYFCB-EH6300 20X  
 FG-TK200IP-LRG: SONYFCB-EH6500 30X  
 FG-TK200IP-LRH: SONYFCB-EV7500 30X  
 FG-TK200IP-LRSP: long-focus 300mm 38X

**Size:**



**Optional accessories:**



## Specifications:

Camera	Image sensor	1/3" 2.0 Megapixels progressive scanning CMOS
	Effective pixels	2.0 Megapixels
	Zoom	38X optic zoom , 12X digital zoom
	Min. Illumination	0.04 lx (ICR ON, 1/30Sec)
	WB	Auto / Auto Tracking / Indoor / Outdoor / Outdoor Auto / sodium mode / one-touch / Manual
	S/N ratio	>50 dB
	WDR	Auto / Manual (Off / On)
	Resolution	1080p/30, 1080p/25
	Focus	Auto, Manual
	Day/Night mode	Auto/Manual
	DNR	Support 3D DNR
	Video enhancement	AGC,BLC,AE,WB,Electronic shutter/mirror/DNR/Slow shutter/Color enhancement
	Privacy masking	Support
	Shutter speed	1/1 to 1/10000 sec
	Gain control	Auto/Manual (-3 dB to +28 dB, 16 steps)
Definition	16 levels adjustable	
Lens	Lens	F=8.1mm~310mm
	Aperture range	F1.8(W)~F6.1(T)
	View angle	63.7°(Wide) - 2.3° (Tele)
	Zoom speed	5.8 Sec
	Close-up distance	100mm(W)~1500mm(T)
IR function	IR range	Over 200m
	IR angle	According to a variable focal length
	IR control	In sync with module
Laser	Laser range	Over 1000m
	Laser angle	According to a variable focal length
	Laser control	In sync with module
PTZ	PTZ range	H: 360° , 0.08° to 80° /s V: 90° , 0.08° to 80° /s
	PTZ protocol	Multiple protocols, RJ45
	Power-off memory	Support
	Idle action	Support
	Preset	128 presets,6 programmable tracks, 4scanning tracks,1 self-learning track
	Alarm in/out	7x in, 2x out (optional)
	Video output	RJ45 interface
Others	Protection grade	IP66
	Work temp	-40°C to 60°C , 0~95% humidity (no condense)
	Size	600 x 486mm
	Power supply	DC12V
	Menu	OSD

Networks	Video Resolution	Main stream1080p (1920×1080) Sub-stream720p (1280×960), support dual-stream
	Compression	H.264
	Video coding rate	32Kbps~16Mbps
	Video frame rate	1~25fps/s
	Caption overlay	Supports channel name, date, time, stream information, OSD location is adjustable
	Image adjustment	Brightness, contrast, saturation
	Networks I/O	1×10Base-T/100Base-TX,RJ45 interface
	Alarm I/O	1×In,1×Out
	Audio I/O	1x line input, 1x line output (optional)
	Protocol	TCP/IP,ARP,ICMP,FTP,RTP/RTCP,NTP,DNS,DDNS,SNMP,PPPoE
	Characteristics	Support heartbeat, intelligent re-transmission reorganization, through NAT, ANR
	Applications	Motion detection, alarm linkage, remote access
	System Support	ONVIF&GBT28181