

2.0 Megapixel HD-SDI IR Vehicle High-speed PTZ Camera

Model: FG-HP200SDI-R series



Module Characteristics:

- 30X optic zoom, 12X digital zoom
- 2.0 megapixels full HD SDI Video output with no delay
- Lens F=4.3mm-129mm
- Support min. illumination, 0.02Lux/F1.6(color),
0.002Lux/F1.6(black & white)
0 Lux with IR
- Resolution 1080p/60, 1080p/50,1080p/30,
1080p/25, 720p/60, 720p/50.

Infrared Characteristics:

- Min illumination 0Lux
- High efficiency infrared array, low power consumption,IR range is 20m
- Constant current circuit design, infrared lamp life 30000 hours.

PTZ Characteristics:

- Using high quality CMOS sensor, image resolution, support max. 1920X1080@30fps
- Special vehicle design with high-strength aluminum alloy housing
- Precise motor drive, sensitive reaction, smooth running, precision error less than 0.1 degree,no image shaking under any speed
- Support PAL/NTSC, which can be suitable for most of areas
- Support RS485 remote control
- Support OSD menu & operating reminders, clear user interface, easy to operate
- Support power-off memory, PTZ & Lens can return former state after power-on again.
- Pan 360°continuous rotation, tilt(+90°--90°) no dead-angle, auto-flip
- Horizontal speed: 0.1° -200°/s,Vertical speed:0.1° -150°/s
- Support 128 presets, 3 scanning tracks, 3 self-learning track
- Support 6 programmable tracks, for each track, max. 16 presets added
- Support ZAP function, rotation speed can be automatically adjusted as lens zoom
- Support idle functions,preset/figure/programmable/automatic scanning, can automatically call in a specified time of idle state(including a idle state after power on)
- Support alarm function, 2x in, 1x out (optional).

Applications:

L type HD-SDI IR High-Speed PTZ can be widely applied to monitoring where needs large-scale high definition pictures with no light or not enough light, Such as,Bank, school,intelligent building, office, conference room, car,greenbelt,etc.

Model:

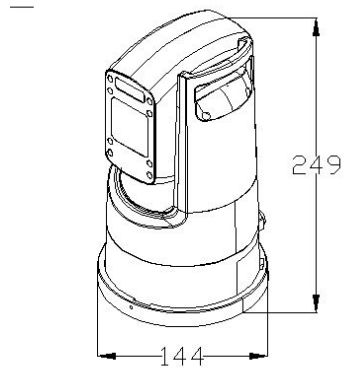
FG-HP200SDI-RA: Built-in 18X module, 1080P

FG-HP200SDI-RB: Built-in SONY FCB-EH6300 20X

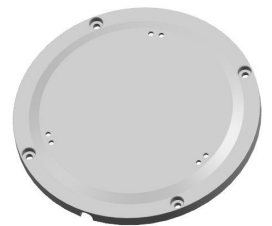
FG-HP200SDI-RG: Built-in SONYFCB-EH6500 30X

FG-HP200SDI-RH: Built-in SONYFCB-EV7500 30X

Size:



Optional accessories:



Specifications:

| | | | |
|--------------|---|---|---|
| Module | Image sensor | 1/2.8 inch Sony Exmor® CMOS sensor | |
| | Effective pixels | 2.0 Megapixels | |
| | Zoom | 30X optic zoom, 12X digital zoom | |
| | Min. Illumination | 0.35lux(F1.6AGC on 1/30s),0.002lux black & white | |
| | WB | Auto / Auto Tracking / Indoor / Outdoor / Outdoor Auto / sodium mode / one-touch / Manual | |
| | S/N ratio | >50 dB | |
| | WDR | Auto / Manual (Off / On) | |
| | Resolution | 1080p/60, 1080p/50, 1080p/30, 1080p/25, 720p/60, 720p/50, | |
| | Focus | Automatic, Manual | |
| | Day/Night mode | ICR | |
| | DNR | Support 3D DNR | |
| | Video enhancement | AGC,BLC,AE,WB,Electronic shutter/Mirror/DNR/Slow snapshots, color enhancement | |
| | Privacy masking | Support | |
| | Shutter speed | 1/1 to 1/10000 sec | |
| AGC | Auto/Manual (-3 dB to +28 dB, 16 steps) | | |
| Lens | Lens | F=4.3mm - 129mm, | |
| | Aperture range | F1.6-F4.7 | |
| | View angle | 63.7°(Wide) - 2.3° (Tele) | |
| IR functions | IR range | Over 20m | |
| | PTZ range | H: 360° , 0.08° to 200° /s V: 90° , 0.08° to 150° /s | |
| | PTZ protocol | Multiple protocols, RS485 | |
| | Power-off memory | Support | |
| | Idle action | Support | |
| | PTZ | Preset | 255 presets,6 programmable tracks,3 self-learning tracks,3 scanning tracks. |
| | | Night vision | 30m |
| | | Alarm in/out | 4x in, 1x out(optional) |
| | Video output | BNC (HD-SDI) | |
| Others | Work temp | -40°C to 60°C , 0~95% humidity (no condense) | |
| | Size | Φ 144 x 249mm | |
| | Power supply | DC12V | |
| | Menu | OSD | |