

## 2.0 Megapixel Network IR Vehicle High-speed PTZ Camera

Model: FG-HP200IP-R series

### Module Characteristics:

- 30X optic zoom, 12X digital zoom
- Support auto-iris, auto-focus, BLC,WDR,ATW
- Lens F=4.3mm-129mm
- Support min. Illumination, 0.02Lux/F1.6( color)  
0.002Lux/F1.6( black & white )  
0 Lux with IR
- Resolution 1080p/30,1080p/25,720P/30  
720p/25, 720p/60, 720p/50



### IR Characteristics:

- Min illumination 0Lux
- High efficiency infrared array,low power consumption ,IR range is more than 20m
- Infrared lamp & ratio distance matching algorithm, is based on distance & ratio to adjust brightness and angle of this lamp,making the image to achieve the idle state
- Constant current circuit design, infrared lamp life 30000 hours.

### PTZ Characteristics:

- Using high quality CMOS sensor, image resolution, support max. 1920X1080@30fps
- Special vehicle design with high-strength aluminum alloy housing
- Precise motor drive, sensitive reaction, smooth running, precision error less than 0.1 degree,no image shaking under any speed
- Support PAL/NTSC, which can be suitable for most of areas
- Support RS485 remote control (optional)
- Support OSD menu & operating reminders, clear user interface, easy to operate
- Support power-off memory, PTZ & Lens can return former state after power-on again.
- Pan 360°continuous rotation, tilt(+90°--90°) no dead-angle, auto-flip
- Horizontal speed: 0.1° -200°/s,Vertical speed:0.1° -150°/s
- Support 128 presets, 3 scanning tracks,3 self-learning tracks
- Support 6 programmable tracks, for each track, max. 16 presets added
- Support ZAP function, rotation speed can be automatically adjusted as lens zoom
- Support idle functions,preset/figure/programmable/automatic scanning, can automatically call in a specified time of idle state(including a idle state after power on)
- Support alarm function, 2x in, 1x out (optional).

### Networks Characteristics:

- Support H.264/MJPEG compression,dual-stream,high compression ratio & video quality
- Support module AWC/ATW, AGC,BLC,brightness,color, saturation and contrast, sharpness,etc.
- Percentage zoom limit speed function: Manual controlling speed of has a percentage

with the depth of lens focus, make sure to search the aims steady.

- The title of IP dome camera, time, stream information, angle, zoom, etc., will be displayed
- Support ONVIF2.3 and GBT28181
- Support protocols , such as TCP/IP,UDP,RTSP, etc
- Support motion detecting, network failure detection,etc., and alarm in , image capture.

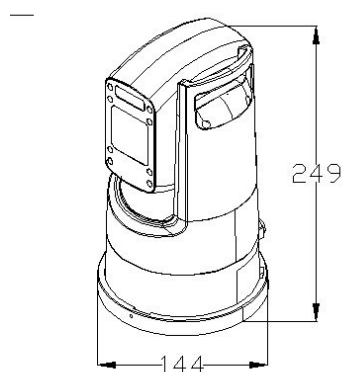
## Applications:

HD-IP IR High-Speed L type PTZ can be widely applied to monitoring where needs large-scale high definition pictures with no light or not enough light, such as bank, school, Intelligent building, traffic, supermarket,office, gas station, greenbelt, factory, community, etc.

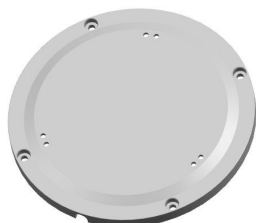
## Model:

FG-HP200IP-RA: full-HD camera	18X
FG-HP200IP-RB: SONY FCB-EH6300	20X
FG-HP200IP-RG: SONYFCB-EH6500	30X
FG-HP200IP-RH: SONYFCB-EV7500	30X

## Size:



## Optional accessories:



## Specifications:

Camera	Image sensor	1/2.8 inch Sony Exmor® CMOS sensor
	Effective pixels	2.0 Megapixels
	Zoom	30X optic zoom, 12X digital zoom
	Min. Illumination	0.35lux(F1.6AGC on 1/30s),0.002lux black & white
	WB	Auto/Auto tracks/indoor/outdoor/outdoor auto
	S/N ratio	>50 dB
	WDR	Auto / Manual (Off / On)
	Resolution	1080p/30, 1080p/25, 720p/60, 720p/50, 720p/30, 720p/25
	Focus	Automatic, Manual
	Day/Night mode	ICR
	DNR	Support 3D DNR
	Video Enhancement	AGC,BLC,AE,WB,Electronic shutter/Mirror/DNR/Slow snapshots, color enhancement
	Privacy Masking	Support
	Shutter speed	1/1 to 1/10000 sec
AGC	Auto / Manual (-3 dB to +28 dB, 16 steps)	
Lens	Lens	F=4.3mm -129.0mm
	Aperture range	F1.6-F4.7
	View angle	63.7°(Wide) - 2.3° (Tele)
IR functions	IR range	Over 20m
PTZ	PTZ range	H: 360° , 0.08°to 200°/s, V: 90°,0.08° to 150° /s
	PTZ protocol	Multiple protocol, RJ45
	Power-off memory	Support
	Idle action	Support
	Preset	255 presets,6 programmable tracks,3 self-learning tracks,3 scanning tracks.
	Night vision	60m
	Alarm in/out	4x inputs, 1x output (optional)
	Video output	RJ45
Others	Work temp	-40°C to 60°C , 0~95% humidity (no condense)
	Size	Φ144 x 249mm
	Power supply	DC12V
	Menu	OSD
Networks	Video Resolution	Main stream1080p (1920×1080)

		Sub-stream 720p (1280×960) ,Support dual-stream
Compression		H.264
Video encoding rate		32Kbps~16Mbps
Video frame rate		1 ~ 25 fps / s
Caption overlay		Support channel name, date, time, stream information, OSD location is adjustable
Image adjustment		Brightness, contrast, saturation
Network I/O		1×10Base-T/100Base-TX,RJ45interface
Alarm I/O		1 × In, 1 × Out (optional)
Audio I/O		1x input, 1x output (optional)
Protocol		TCP/IP,ARP,ICMP,FTP,RTP/RTCP,NTP,DNS,DDNS,SNMP,PPPoE
Applications		Motion detection, alarm linkage, remote access
System Support		ONVIF and GBT28181