

2.0 Megapixels HD-SDI IR Vehicle PTZ Camera

Model: FG-TC200SDI-R series

Module Characteristics:

- 30X optic zoom, 12X digital zoom
- Support auto-iris, auto focus,AWB,BLC,WDR
- Lens F=4.3mm-129mm
- Support min. Illumination, 0.02Lux/F1.6(color),
0.002Lux/F1.6(black & white)
0 Lux with IR
- Resolution 1080p/30,1080p/25,720P/30
720p/25, 720p/60, 720p/50.



IR Characteristics:

- Min illumination 0Lux
- Using infrared zoom light, low power consumption, radiation distance up to 200m
- Infrared lamp & ratio distance matching algorithm, is based on distance & ratio to adjust brightness and angle of this lamp,making the image to achieve the idle state
- Built-in heat treatment device, reducing PTZ's temp to prevent fogging inside
- Constant current circuit design, infrared lamp life 30000 hours.

PTZ Characteristics:

- Using high quality CMOS sensor, image clear, support max.1920X1080@30fps
- Special vehicle design with high-strength aluminum alloy housing
- Double visor, wiper function
- Precise motor drive, sensitive reaction, smooth running, precision error less than 0.1 degree,no image shaking under any speed
- Support PAL/NTSC, which can be suitable for most of areas
- Support OSD menu & operating reminders, clear user interface, easy to operate
- Support power-off memory, PTZ & Lens can return former state after power-on again
- IP66 weather protection grade
- Pan 360°continuous rotation, tilt(+90°--90°) no dead-angle, auto-flip
- Horizontal speed: 0.1° -100°/s,Vertical speed:0.1° -80°/s
- Support 128 presets, 1 self-learning track, 4 scanning tracks
- Support 6 programmable tracks, for each track, max. 16 presets added
- Support ZAP function, rotation speed can be automatically adjusted as lens zoom
- Support idle functions,preset/figure/programmable/automatic scanning, can automatically call in a specified time of idle state(including a idle state after power on)
- Support alarm function, 4x in, 1x out (optional).

Applications:

This series of vehicle PTZ can be widely applied to police car, military, communications, command, duty, etc. installed on vehicles (fire trucks, police cars, communication command vehicles, trains, etc., and other special purpose vehicle monitoring, the top carrier installation), can be used for criminal or secret investigation , forensics, emergency rescue, site investigation, construction operations, incident handling, emergency repairs, such as lighting conditions are poor environment.

Model:

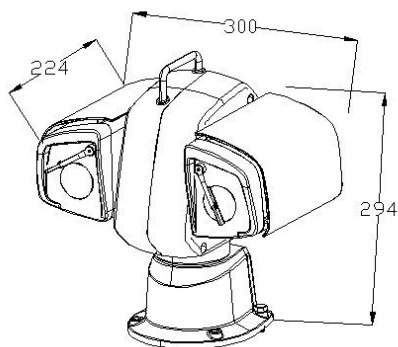
FG-TC200SDI-06RA: full-HD camera 18X

FG-TC200SDI-06RB: SONY FCB-EH6300 20X

FG-TC200SDI-06RG: SONY FCB-EH6500 30X

FG-TC200SDI-06RH: SONY FCB-EV7500 30X

Size:



Optional accessories:



Specifications:

Camera	Image sensor	1/2.8 inch Sony Exmor® CMOS sensor
	Effective pixels	2.0 Megapixels
	Zoom	30X optic zoom , 12X digital zoom
	Min. Illumination	0.35lux(F1.6AGC on 1/30s),0.002lux black & white
	WB	Auto / Auto Tracking / Indoor / Outdoor / Outdoor Auto / sodium mode / one-touch / Manual
	S/N ratio	>50 dB
	WDR	Auto / Manual (Off / On)
	Definition	1080p/30, 1080p/25, 720p/60, 720p/50, 720p/30, 720p/25
	Focus	Auto, manual
	Day/Night mode	Auto ICR
	DNR	Support 3D DNR
	Video Enhancement	AGC,BLC,AE,WB,Electronic shutter,mirror,DNR,Slow snapshots, color enhancement
	Privacy masking	Support
	Shutter speed	1/1 to 1/10000 sec
AGC	Auto/Manual (-3 dB to +28 dB, 16 steps)	
Lens	Lens	F=4.3mm -129.0mm
	Aperture range	F1.6-F4.7
	View angle	63.7°(Wide) - 2.3° (Tele)
IR functions	IR range	Over 200m
	IR angle	Adjustable by focus
	IR control	In sync with module
PTZ	PTZ range	H: 360° , 0.08° to 100° /s V: 90° , 0.08° to 80° /s
	PTZ protocol	Multiple protocols, RS485
	Power-off memory	Support
	Idle action	Support
	Preset	128 presets,6 programmable tracks,4 scanning tracks,1 self-learning track
	Night vision	200m
	Alarm in/out	4x in, 1x out (optional)
	Video output	BNC (HD-SDI)
Others	Protection grade	IP66
	Work temp	-40°C to 60°C , 0~95% humidity (no condense)
	Size	300 x 294 x 224mm
	Power supply	DC12V
	Menu	OSD
	Installation	Wall,base