

VANDAL DOME CAMERA

RL-9020AH / RL-H081

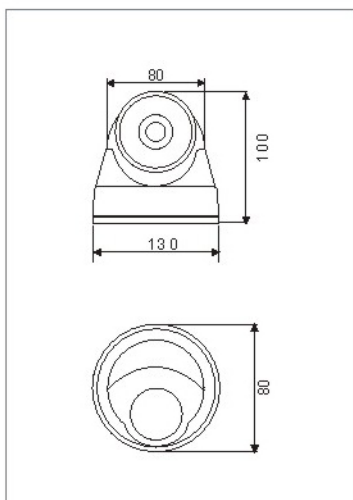
- 1/3" SONY Super HAD CCD
- 540 TV Lines, 480TV Lines
- 3.5~8 mm

RL-B9020A

- 1/3" SONY Super HAD CCD
- 420 TV Lines
- 3.5~8 mm Lens



Dimension(unit:mm)



Specifications

Model	RL-9020AH	RL-H081	RL-B9020A
Signal System	PAL/NTSC		
Image Sensor	1/3"SONY Super HAD CCD		
Horizontal Resolution	540 TV Lines	480 TV Lines	420 TV Lines
Lens	3.5~8mm		
Min.Illumination	0LUX (IR On)		
BLC	Auto		
AGC	Auto		
S/N Ratio	More than 52dB		
IR Distance	25~30m		
View Angle	45°		
LED wave length	36 unit 850nm Infrared LED		
Average Life	20000hrs,warranty life:6000hrs		
Water Resistance	IP65		
Video Output	Composite Video Output 1.0Vp-p-75Ω		
Synchronizing System	Internal/ External		
Operation Temperature	-20° C to +50° C		
Power Supply	DC 12V ±10 %,500mA		
Weight	1.1kg		