

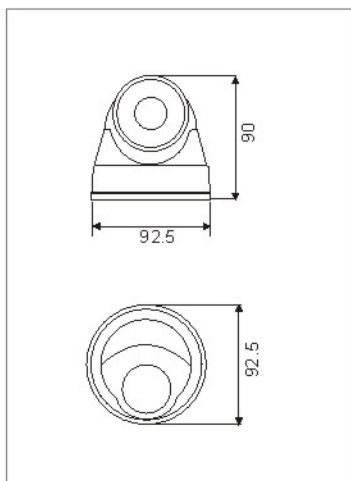
IR DOME CAMERA

RL-H022/RL-H023/RL-H024

- 1/3" SONY SuperHAD CCD
- 1/4" SONY SuperHAD CCD
- 1/4" Sharp SuperHAD CCD
- 420TV Lines
- 3.6mm IR Lens



Dimension(unit:mm)



Specifications

Model	RL-H022	RL-H023	RL-H024
Signal System	PAL/NTSC		
Image Sensor	1/3" SONY SuperHAD CCD	1/4" SONY SuperHAD CCD	1/4" Sharp CCD
Horizontal Resolution	420 TV Lines		
Lens	3.6mm IR Lens		
Min. Illumination	0 LUX (IR On)		
BLC	Auto		
AGC	Auto		
SN Ratio	More than 52dB		
IR Distance	15~20m		
View Angle	45°		
LED wave length	24 unit 850nm Infrared LED		
Average Life	20000 hrs, warranty life :6000hrs		
Video Output	Composite Video Output: 1.0Vp-p/75Ω		
Synchronizing System	Internal/External		
Operation Temperature	-20° C to +50° C		
Power Supply	DC 12V ±10%, 500mA		