



AR2500T Network camera

5 megapixel
H.264/MPEG4/MJPEG

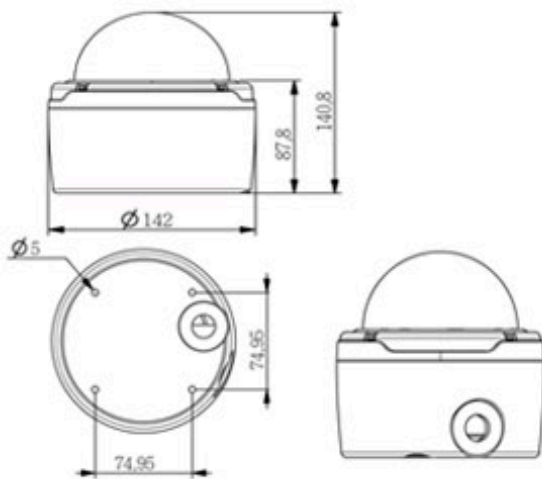
-30/+75°C.

... driven to perform!



features

- ▶ 1/2.5" top quality CMOS sensor
- ▶ H.264/MJPEG/MPEG4
- ▶ Wide working temperature range
- ▶ Best colour fidelity
- ▶ Advanced CPU performance
- ▶ Day and night
- ▶ Motion detection
- ▶ Wide range of lenses
- ▶ SD/SDHC and USB storage
- ▶ Power over ethernet
- ▶ Easy installation



AR2500T	specifications
Type	Fix dome, IP66
Sensor	Aptina CMOS 1/2.5" progressive
Resolution	2592x1944 (5 megapixel)
Frames per second	10
Compression	H.264/MPEG4/MJPEG
Lens type	3.3-10mm. varifocal, megapixel, IR
Min. illumination	Color 0.1 Lux - Day/Night 0 Lux (IR)
Storage	SD/SDHC card and USB
Image tuning	AES/AWB
Day/Night	Yes
Audio	2 way, with microphone
Motion detection	Yes
Alarm in/out	Yes
Electric supply	DC12v. / POE 802.3af
Power consumption	DC 6.5W / POE 6.7W.
Security	Multilevel password, IP filter, HTTPS
Network protocol	TCP/IP, SMTP, FTP, HTTP, RTP/RTSP, RTCP, IPv4, UPnP, DynDNS, NTP, ICMP, DHCP
Networking	10/100 Mbps Ethernet, RJ45
Software platform	ONVIF/PSIA
Working temperature	-30/+75°C.
Weight (Net)	1,170 gr.
Size	142mm(W) x 140mm(H)
Regulatory approvals	FCC, CE, RoHS compliant
Options	

Arlotto Comnet, Inc.

Tel:+886-3-5678020 / Fax:+886-3-5678019

No. 54 Park Avenue 2, Hsinchu Science Park

www.arlotto.com

30075 Hsinchu, Taiwan

email: sales@arlotto.com.tw