

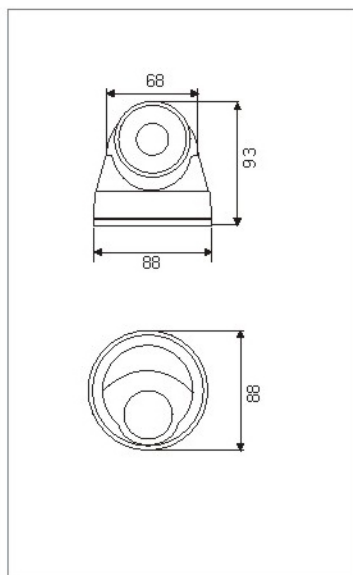
VANDAL DOME CAMERA

RL-H050 / RL-H080 / RL-H020

- 1/3" SONY Super HAD CCD
- 540/ 480 /420 TV Lines
- 3.6mm / 6mm IR Lens



Dimension(unit:mm)



Specifications

Model	RL-H050	RL-H080	RL-H020
Signal System	PAL/NTSC		
Image Sensor	1/3" SONY Super HAD CCD		
Horizontal Resolution	540 TV Lines	480 TV Lines	420 TV Lines
Lens	3.6mm / 6mm IR Lens		
Min. Illumination	0LUX (1R On)		
BLC	Auto		
AGC	Auto		
SN Ratio	More than 52dB		
IR Distance	15~20m		
View Angle	45°		
LED wavelength	24 unit 850nm Infrared LED		
Average Life	2000hrs, warranty life: 6000hrs		
Water Resistance	IP65		
Video Output	Composite Video Output: 1.0Vpp-75Ω		
Synchronizing System	Internal/External		
Operation Temperature	-20°C to +50°C		
Power Supply	DC 12V ±10 % 500mA		
Weight	0.6 kg		