

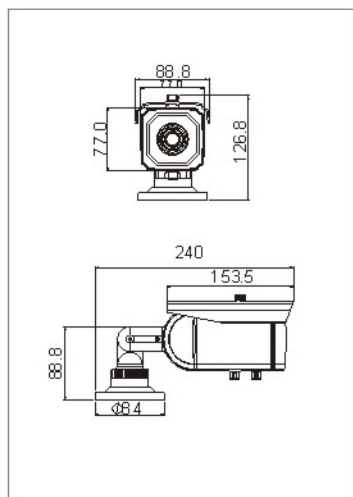
IR WEATHERPROOF

RL-H123 / RL-H182 / RL-H152 / RL-H162

- 1/3" SONY SuperHAD CCD
- 420TVL, 480TVL, 540TVL, 650TVL
- 48pcs IR LED
- f=4~9mm
- LED constant current control
- 3 Axis bracket (wall & ceiling mount)



Dimension(unit:mm)



Specifications

Model	RL-H123	RL-H182	RL-H152	RL-H162
Signal System	PAL/NTSC			
Image Sensor	1/3" SONY SuperHAD CCD			
Horizontal Resolution	420 TV Lines	480 TV Lines	540 TV Lines	650 TV Lines
Lens	f=4~9mm			
Mn. Illumination	0Lux (LED on)			
SN Ratio	More than 52dB			
BLC	Auto			
AGC	Auto			
IR Distance	30 Meter			
View Angle	60°			
LED wave length	48 PCS 850nm Infrared LED			
Average Life	20000hrs, warranty life:6000 hrs			
Water Resistance	IP65			
Control Mode	Manual Focus			
Video Output	Composite Video Output(1.0Vp-p 75ΩTerminated)			
Operation Temperature	-20 ~50°C RH 5%MAX			
Power Supply	DC 12V(±10%)			