

2.0 Megapixels IP Laser Vehicle PTZ with Laser

Model: FG-TC200IP-L series

Module Characteristics:

- 30X optic zoom, 12X digital zoom
- Support auto-iris, auto focus,AWB,BLC,WDR
- Lens F=4.3mm-129mm
- Support min. Illumination, 0.02Lux/F1.6(color), 0.002Lux/F1.6(black & white) 0 Lux with IR
- Resolution 1080p/30,1080p/25,720P/30 720p/25, 720p/60, 720p/50



Laser Characteristics:

- Min. Illumination 0Lux
- Using synchronous focus system, low power consumption, low temp, laser night vision will be over 300m
- Laser lamp & ratio distance matching algorithm, is based on distance & ratio to adjust brightness and angle of this lamp,making the image to achieve the ideal state
- Built-in heat treatment device, which can reduce the temp of dome inside to avoid being fog
- Constant current circuit design, laser lamp life 50000 hours.

PTZ Characteristics:

- Using high quality CMOS sensor, image clear, support max.1920X1080@30fps
- Special vehicle design with high-strength aluminum alloy housing
- Double visor, wiper function
- Support RS485 remote control (optional)
- Precise motor drive, sensitive reaction, smooth running, precision error less than 0.1 degree,no image shaking under any speed
- Support PAL/NTSC, which can be suitable for most of areas
- Support OSD menu & operating reminders, clear user interface, easy to operate
- Support power-off memory, PTZ & Lens can return former state after power-on again
- IP66 weather protection grade
- Pan 360°continuous rotation, tilt(+90°--90°) no dead-angle, auto-flip
- Horizontal speed: 0.1° -100°/s,Vertical speed:0.1° -80°/s
- Support 128 presets, 1 self-learning track, 4 scanning tracks
- Support 6 programmable tracks, for each track, max. 16 presets added
- Support ZAP function, rotation speed can be automatically adjusted as lens zoom
- Support idle functions,preset/figure/programmable/automatic scanning, can automatically call in a specified time of idle state(including a idle state after power on)
- Support alarm function, 4x in, 1x out (optional).

Networks Characteristics:

- Support H.264/MJPEG compression,dual-stream,high compression ratio & video quality
- Support dual-stream, main stream 1920X1080
- Support module AWC/ATW, AGC,BLC,brightness,color, saturation and contrast, sharpness,etc
- Percentage zoom limit speed function: Manual controlling speed of has a percentage with the depth of lens focus, make sure to search the aims steady
- The title of IP camera, time, stream information, angle, zoom, etc., will be displayed
- Support ONVIF2.3 and GBT28181
- Support protocols , such as TCP/IP,UDP,RTSP, etc
- Support motion detecting, network failure detection,etc., and alarm in , image capture
- Support remote control, cellphone client software
- Support Ethernet control, analog output (CVBS) and RS485 is optional.

Applications:

This series of vehicle PTZ can be widely applied to police car, military, communications, command, duty, etc. installed on vehicles (fire trucks, police cars, communication command vehicles, trains, etc., and other special purpose vehicle monitoring, the top carrier installation), can be used for criminal or secret investigation , forensics, emergency rescue, site investigation, construction operations, incident handling, emergency repairs, such as lighting conditions are poor environment.

Model:

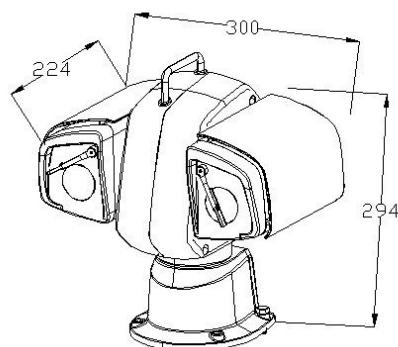
FG-TC200IP-06LA: full-HD camera 18X

FG-TC200IP-06LB: SONYFCB-EH6300 20X

FG-TC200IP-06LG: SONYFCB-EH6500 30X

FG-TC200IP-06LH: SONYFCB-EV7500 30X

Size:



Optional accessories:



Specifications:

Module	Image sensor	1/2.8 inch Sony Exmor® CMOS sensor
	Effective pixels	2.0 Megapixels
	Zoom	30X optic zoom , 12X digital zoom
	Min. Illumination	0.35lux(F1.6AGC on 1/30s),0.002lux black & white
	WB	Auto / Auto Tracking / Indoor / Outdoor / Outdoor Auto / sodium mode / one-touch / Manual
	S/N ratio	>50 dB
	WDR	Auto / Manual (Off / On)
	Definition	1080p/30, 1080p/25, 720p/60, 720p/50, 720p/30, 720p/25
	Focus	Auto, manual
	Day/Night mode	Auto ICR
	DNR	Support 3D DNR
	Video Enhancement	AGC,BLC,AE,WB,Electronic shutter,mirror,DNR,Slow snapshots, color enhancement
	Privacy masking	Support
	Shutter speed	1/1 to 1/10000 sec
AGC	Auto/Manual (-3 dB to +28 dB, 16 steps)	
Lens	Lens	F=4.3mm -129.0mm
	Aperture range	F1.6-F4.7
	View angle	63.7°(Wide) - 2.3° (Tele)
Laser	Laser range	Over 300m
	Laser angle	Adjustable by focus
	Laser control	In sync with module
PTZ	PTZ range	H: 360° , 0.08° to 100° /s V: 90° , 0.08° to 80° /s
	PTZ protocol	Multiple protocols, RJ45
	Power-off memory	Support
	Idle action	Support
	Preset	128 presets,6 programmable tracks,3scanning tracks,1 self-learning track
	Night vision	300m
	Alarm in/out	4x in, 1x out (optional)
	Video output	RJ45 interface
Others	Protection grade	IP66
	Work temp	-40°C to 60°C , 0~95% humidity (no condense)
	Size	300 x 294 x 224mm
	Power supply	DC12V
	Menu	OSD
	Installation	Wall,base

Networks	Video resolution	Main stream 1080p (1920×1080) sub-stream 720p (1280×960) , support dual-stream
	Compression	H.264
	Video encoding	32Kbps~16Mbps
	Video encoding	1~25fps/s
	Caption overlay	Supports channel name, date, time, stream information, OSD location is adjustable
	Image adjustment	Brightness, contrast, saturation
	Network I/O	1×10Base-T/100Base-TX,RJ45 interface
	Alarm I/O	1× In,1×Out
	Audio I/O	1x line input, 1x linear output (optional)
	Protocol	TCP/IP,ARP,ICMP,FTP,RTP/RTCP,NTP,DNS,DDNS,SNMP,PPPoE
	Applications	Motion detection, alarm linkage, remote access
	Systems support	ONVIF& GBT28181