

IR WEATHERPROOF CAMERA

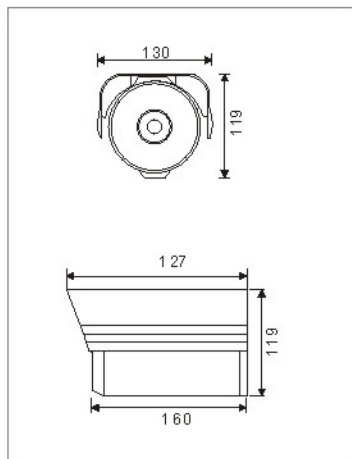
RL-H323 / RL-H322

- 1/3" SONY SuperHAD CCD/ 1/4" SONY Super HAD CCD
- 420 TV Lines
- 3.6 mm Lens or 6mm
- IR Distance 30m/25m
- 42 unit IR LED
- IP 66 weather resistant

NEW



Dimension(unit:mm)



Specifications

Model	RL-H323	RL-H322
Signal System	PAL/NTSC	
Image Sensor	1/3" SONY Color Super Had CCD	1/4" SONY Super Had CCD
Horizontal Resolution	420 TV Lines	
Scanning Area	4.9 mm *3.7 mm (5.59*4.68)	
Lens	3.6 mm IR LENS or 6mm	
Min. Illumination	1/50 (1/60) -1/100000 (Secretary)	
Electronic Exposure	Colored (0.1Lux) , Black and White (0.01Lux LED On)	
BLC	Auto	
AGC	Auto	
SN Ratio	More than 50dB	
IR Distance	30Meter	25Meter
View Angle	60°	
LED wavelength	42 unit 850 nm Infrared LED	
LED Auto Switch	Night/Day , ON/OFF	
Power	1.2 W 4.36W IR On (Working Current about 360mA)	
Average Life	20000 hrs, warranty life :6000hrs	
Water Resistance	IP66	
Video Output	Composite Video Output(1.0Vp-p 75Ω Terminated)	
Operation Temperature	-20° C to +50° C	
Power Supply	DC 12V/1000mA	