

EL-C214WB

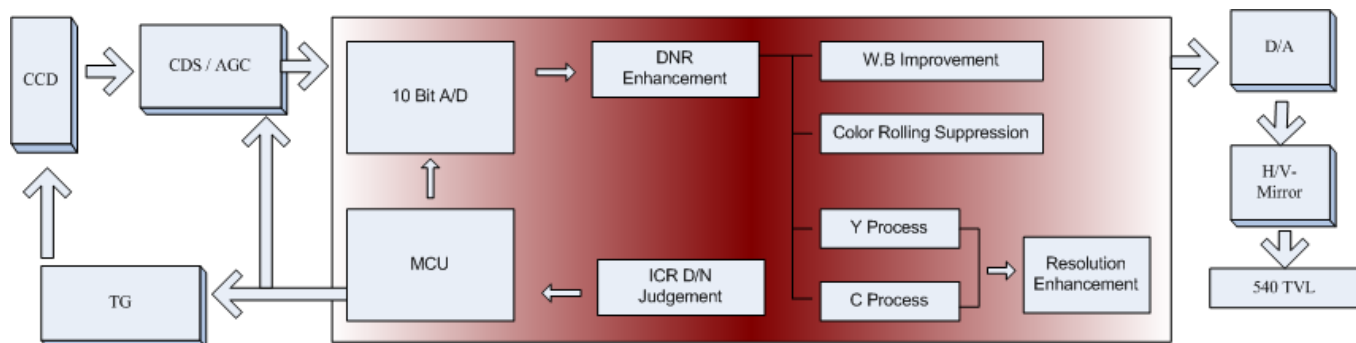
1/3" Sony Super HAD II DUAL SCAN CCD,
with Digital Noise Reduction . 650 TVL with
Genuine 960H Technology.



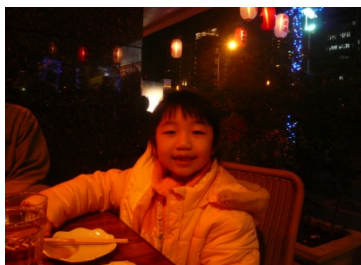
Specification

Model number	EL-C215WB-P	EL-C214WB-P	EL-C215WB-N	EL-C214WB-N
Image sensor	1/3" Interline Transfer SONY Super HAD II dual scan CCD			
Signal system	PAL		NTSC	
Picture element	976 (H) x 582 (V)		976 (H) x 494 (V)	
Horizontal resolution	650 TVL			
Synchronization	Internal			
Scanning	2:1 Interlace			
Min. illumination (day)	0.01 Lux @ F1.0, 30 IRE (AGC on, sense up on)			
Min. illumination (night)	0.001 Lux @ F1.0, 30 IRE (B/W mode, AGC on, sense up on) 0 Lux under infrared illumination			
Wide dynamic range	54dB			
Sense up	4x factory default (2x - 256x customization)			
S/N ratio	better than 52dB			
AGC	62.8dB (analog + Digital)			
White balance control	ATW (1800°K - 10500°K) / AWB			
DNR	2D / 3D / 2D+3D DNR			
Gamma	9 level adjustment			
OSD control	OSD control (QIS / Advance)			
BLC	ON / OFF			
Masking	16 Areas			
Digital zoom	x1 ~ x5			
Mirroring	Horizontal / Vertical / Horizontal + Vertical			
Automatic day/night switching	Removable IR cut filter (ICR), Color / B/W			
Iris level adjustment	Auto			
Lens	CS/C-Mount, manual or DC controlled			
Intelligent MD/FD	ON / OFF			
Video output	composite: 1.0 Vp-p at 75Ω load			
Operating temperature	-10°C ~ +50°C			
Humidity	0~85%, not condensing			
Power supply	12 VDC / 24 VAC	110~240 VAC	12 VDC / 24 VAC	110~240 VAC
Power consumption	4.4W	4.5W	4.4W	4.5W
Dimensions (WxHxD)	68.91 x 58.5 x 121.3 mm			
Weight	420g			

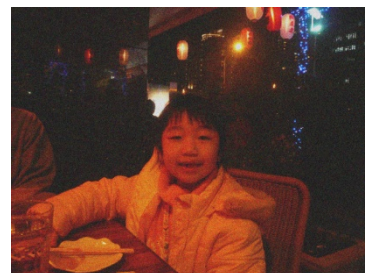
Digital Noise Reduction



DNR is a new technology to suppress all significant noise when AGC (Auto Gain Control) is activated. DNR allows camera to smooth and evenly noised image. This will increase the recognition of the image. Beside it will help to save the video transmission traffic when connected with DVR or Video Server.



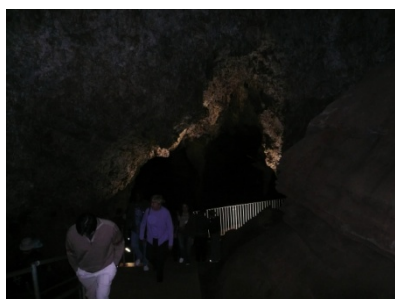
DNR



Traditional
AGC

Sense UP

Sense up is a function to improve the ability to achieving higher sensitivity. It is an extra aid for seeing better in black. With the setting of sense up on, it will achieve B/W image at extreme low lux 0.001 at F 1.2.



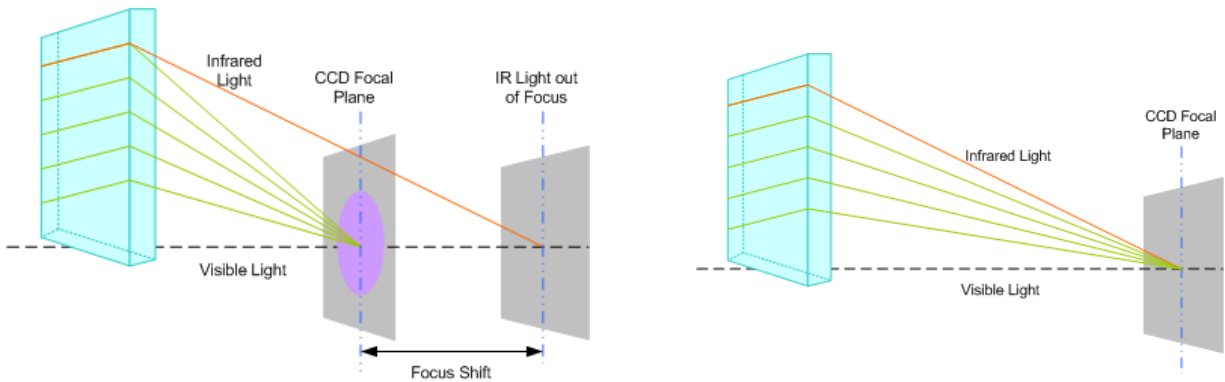
Sense Up Off



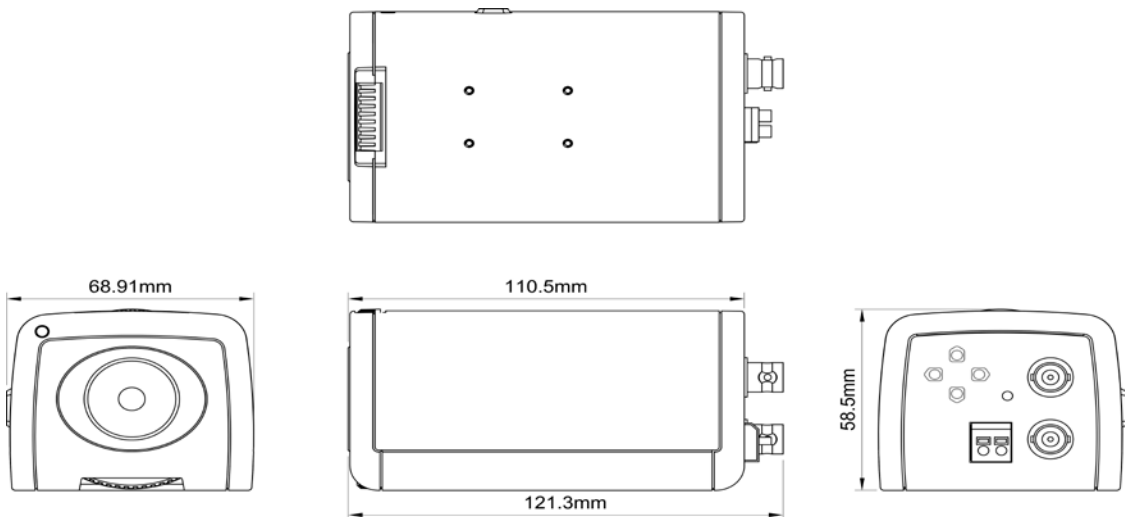
Sense Up On

Day / Night OLPF

Ordinary IR cut filter will cause the focus shifting while IR on and Off. Specially designed Optical Low Pass Filter (OLPF) enable the device to switch on and off precisely. It will help to deliver the live image with true color during the day and focus correctly while IR is on during the night.



Dimension



Model Selection

EL-C215WB-P: DC 12V/ AC24V, PAL

EL-C214WB-P: AC 110V~240V, PAL

EL-C215WB-N: DC12V / AC24V, NTSC

EL-C215WB-N: AC110V~240V, NTSC