

IR WEATHERPROOF

RL-H150 / RL-H180

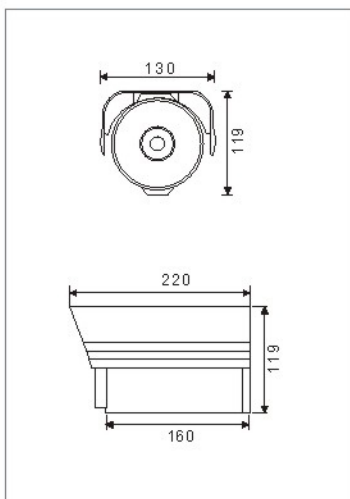
- 1/3" SONY Super HAD CCD
- 540 / 480 TV Lines
- f=3.5~8mm Lens
- Cable Managed brackets

RL-H121 / RL-H120

- 1/3" SONY Super HAD CCD / 1/4" SONY Super HAD CCD
- 420 TV Lines
- f=3.5~8mm Lens



Dimension(unit:mm)



Specifications

Model	RL-H150	RL-H180	RL-H121	RL-H120
Signal System	PAL/NTSC			
Image Sensor	1/3" SONY Super HAD CCD			1/4" SONY Super HAD CCD
Horizontal Resolution	540 TV Lines	480 TV Lines	420 TV Lines	
Lens	f=3.5~8mm			
Min.Illumination	0LUX (IR On)			
BLC	Auto			
AGC	Auto			
S/N Ratio	More than 52dB			
IR Distance	30~35 Meter			
View Angle	60°			
LED wavelength	42 PCS 850nm Infrared LED			
Average Life	20000hrs, warranty life: 6000 hrs			
Water Resistance	IP65			
Video Output	Composite Video Output(1.0Vp-p 75Ω Terminated)			
Control Mode	Manual Focus			
Operation Temperature	-20° C to +50° C			
Power Supply	DC 12V ±10%, 500mA			
Weight	0.95kg			