

## KDT-HW69RC83-DE/HW69RC83-DEP/HW69RC83-D/HW69RC83-DP

### 3.0Mp CMOS HD WDR Water-proof IR Network Camera

#### Features

- > 1/3" 3.0 Megapixel Progressive Scan Aptina WDR CMOS sensor
- > Ti DaVinci Series DSP
- > H.264&MJPEG video compression and JPEG image capture
- > Max 20fps @ 3.0MP (20480×1536)
- > Dual encoding streams supported
- > 2.8~12mm /F1.4 Manual lens
- > 4 pcs  $\Phi$ 11 IR lights ,Max. IR Distance: 30m
- > True WDR 120dB
- > True Day/Night ICR
- > Support Alarm I/O
- > Micro SD Card
- > IP66 all-environments protection
- > Support DC12V power supply, PoE
- > Built-in Web server, NVR, CMS



## > Technical Specifications

Model	KDT-HW69RC83-DE	KDT-HW69RC83-DEP	KDT-HW69RC83-D	KDT-HW69RC83-DP
<b>General</b>				
Main Processor	Ti DaVinci Series DSP			
Operating System	Embedded LINUX			
Capacity	Simultaneous remote monitoring, local recording and remote control			
User Interface	WEB, CMS, NVR			
<b>Camera</b>				
Image Sensor	1/3" 3.0Megapixel Progressive Scan Aptina WDR CMOS Sensor			
Effective Pixels	2048 (H)×1536(V)			
Electronic Shutter	1/5s to 1/50,000s			
Mini. Illumination	Color:0.2Lux/F1.2 ; B/W:0.01Lux/F1.2; 0Lux/F1.2(IR on)			
Signal Noise Ratio	>50dB			
Day/Night Mode	Auto, dual IR-Cut filter			
Gain Control	Auto/Manual			
White Balance	Auto/Manual			
WDR Dynamic Range	WDR (120dB)			
Lens	2.8mm~12mm/F1.4Manual lens			
Max IR Distance	30m, 4 pcs Φ11 IR lights			
<b>Video</b>				
Video Compression	H.264/MJPEG Optional			
H.264 Encode Type	H.264 Baseline/H.264 Main Profile/H.264 High Profile Optional			
Video Bit Rate	Main Stream: 500Kbps~12Mbps Sub Stream: 100Kbps~6Mbps			

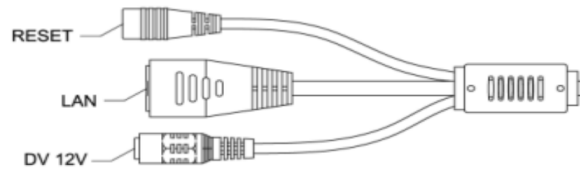
Image Resolution	3.0Mp(2048 × 1536 ) /1080P(1920×1020) / 720P(1280×720) / D1(704×576/704×480)	
Encoding Speed	Main Stream: 3.0Mp /20 fps ; 1080P/720P(1~25fps/30fps) Extra Stream: D1/CIF:(1~25fps/30fps)	
Video Format	PAL/NTSC	
<b>Audio</b>		
Audio Compression	N/A	G.711a/G.711u Optional
Audio Bit Rate	N/A	G.711a(8kbps)/G.711u(8kbps)/
Audio Input	N/A	1-channel 3.5mm audio interface MIC IN/Line IN
Audio Output	N/A	1-channel 3.5mm audio interface (line level,600Ω)
<b>Network</b>		
Ethernet	RJ-45 (10/100Base-T)	
Network Protocol	Ipv4/Ipv6、 RTSP、 TCP/UDP、 HTTP、 DHCP、 DNS、 FTP、 DDNS、 PPPoE、 SMTP	
Common Features	One button Reset, Prevent Flicker, Dual-stream, Heartbeat, Password Protect, Video cover, Motion Alarm	
ONVIF	ONVIF Ver.2.3	
Max User Access	10 users	
Smart phone	Iphone , Ipad ,Android	
Remote Operation	Monitor, Playback, System setting, File download, Log information, Maintenance & Upgrade	
<b>Auxiliary Interface</b>		
Reset Input	One Reset Button(Hold on 3 seconds at least)	
Memory Slot	N/A	Micro SD Card, Max 32GB
Alarm Input	N/A	1-channel input, Normally Open/Normally Close modes adjustable
Alarm Output	N/A	1-channel output,, 120VAC 1A/24VDC 1A
Video Output	N/A	1Vp-p Composite Output(75Ω/BNC)

KDT-HW69RC83-D(E)(P) Series Water-proof IR IP Camera

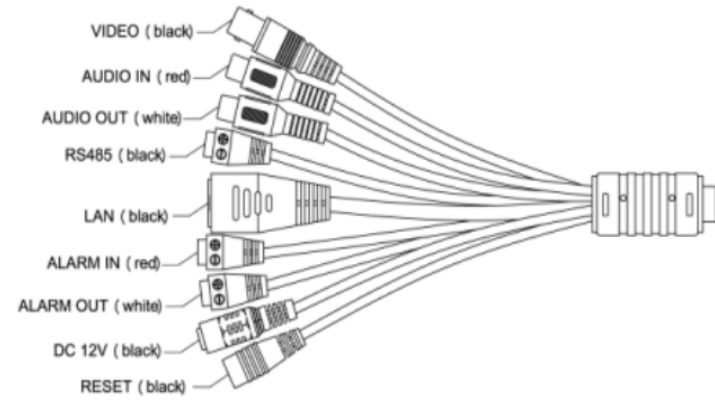
---

<b>Environmental</b>				
Power Supply	DC12V			
Power Consumption	<10W			
Working Environment	-40°C ~ +60°C, Humidity less than95%(Non-condensing)			
Dimensions(mm)	275mm x 90mm x120.5mm			
Weight(kg)	0.107Kg			
PoE	N/A	IEEE802.3af	N/A	IEEE802.3af
IP Grade	IP66			

## Interface Description



**Economical Type**



**Full Function Type**

## Dimensions

