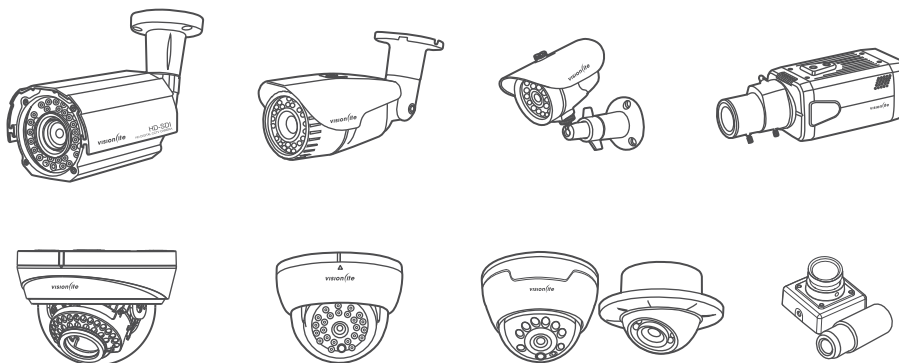


Ensure your safety with Visionite

VISIONITE SECURITY SYSTEM



www.visionite.com

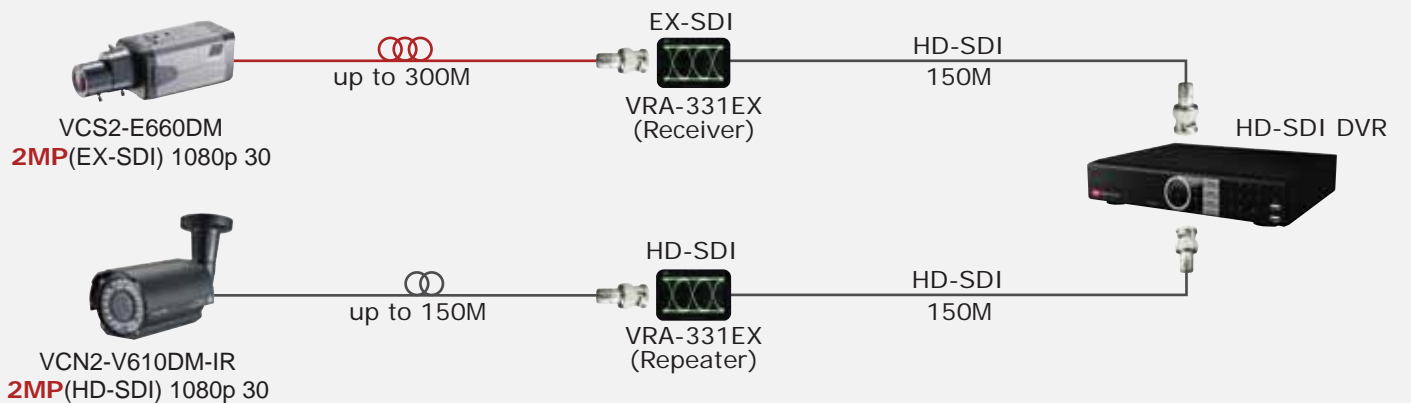
Indoor Dome (Ø100)	IR Indoor Dome (Ø100)	IR Outdoor Dome (Ø100)	IR Outdoor Dome (Ø100)
 <p>VCD6-V640/620/630IP</p> <ul style="list-style-type: none"> • Sony Progressive SCAN CMOS • 1/3" Sony Exmor 1.3MP, 45fps@all resolution • 1/2.9" Sony Exmor 2MP,30fps@all resolution • 1/2.8" Sony Exmor 3.1MP,25fps@2048(H) X 1536(V) • Support Triple Codec(H.264 / MPEG4 / MJPEG) • f=2.8-12mm DC IRIS Varifocal Lens (ICR) • DSS(Sense-up),D-WDR,DNR,Motion Detection • CMS & Smart phone support, ONVIF 2.X Compliance • Two-way Audio, CVBS Video Output • Micro SD Card Slot • 3 Axis Gimbal Bracket • DC12V/PoE(Optional) 	 <p>VCD6-V640/620/630IP-IR</p> <ul style="list-style-type: none"> • Sony Progressive SCAN CMOS • 1/3" Sony Exmor 1.3MP, 45fps@all resolution • 1/2.9" Sony Exmor 2MP,30fps@all resolution • 1/2.8" Sony Exmor 3.1MP,25fps@2048(H) X 1536(V) • Support Triple Codec(H.264 / MPEG4 / MJPEG) • f=2.8-12mm DC IRIS Varifocal Lens (ICR) • 30 IREDS • DSS(Sense-up),D-WDR,DNR,Motion Detection • CMS & Smart phone support, ONVIF 2.X Compliance • Two-way Audio, CVBS Video Output • Micro SD Card Slot • 3 Axis Gimbal Bracket • DC12V/PoE(Optional) 	 <p>VCDP-V640/620/630IP-IR</p> <ul style="list-style-type: none"> • Sony Progressive SCAN CMOS • 1/3" Sony Exmor 1.3MP, 45fps@all resolution • 1/2.9" Sony Exmor 2MP,30fps@all resolution • 1/2.8" Sony Exmor 3.1MP,25fps@2048(H) X 1536(V) • Support Triple Codec(H.264 / MPEG4 / MJPEG) • f=2.8-12mm DC IRIS Varifocal Lens (ICR) • 40 IREDS • DSS(Sense-up),D-WDR,DNR,Motion Detection • CMS & Smart phone support, ONVIF 2.X Compliance • Two-way Audio, CVBS Video Output • Micro SD Card Slot • 3 Axis Gimbal Bracket, • DC12V/PoE(Optional)/Fan & Heater(Optional) 	 <p>VCV6-V640/620/630IP-IR</p> <ul style="list-style-type: none"> • Sony Progressive SCAN CMOS • 1/3" Sony Exmor 1.3MP, 45fps@all resolution • 1/2.9" Sony Exmor 2MP,30fps@all resolution • 1/2.8" Sony Exmor 3.1MP,25fps@2048(H) X 1536(V) • Support Triple Codec(H.264 / MPEG4 / MJPEG) • f=2.8-12mm DC IRIS Varifocal Lens (ICR) • 30 IREDS • DSS(Sense-up),D-WDR,DNR,Motion Detection • CMS & Smart phone support, ONVIF 2.X Compliance • Two-way Audio, CVBS Video Output • Micro SD Card Slot • 3 Axis Gimbal Bracket • Water-proof (IP67) • DC12V/PoE(Optional)/Fan & Heater(Optional)
<p>IR Outdoor Dome (Ø100)</p>  <p>VCVP-V640/620/630IP-IR</p> <ul style="list-style-type: none"> • Sony Progressive SCAN CMOS • 1/3" Sony Exmor 1.3MP, 45fps@all resolution • 1/2.9" Sony Exmor 2MP,30fps@all resolution • 1/2.8" Sony Exmor 3.1MP,25fps@2048(H) X 1536(V) • Support Triple Codec(H.264 / MPEG4 / MJPEG) • f=2.8-12mm DC IRIS Varifocal Lens (ICR) • 40 IREDS • DSS(Sense-up),D-WDR,DNR,Motion Detection • CMS & Smart phone support, ONVIF 2.X Compliance • Two-way Audio, CVBS Video Output • Micro SD Card Slot • 3 Axis Gimbal Bracket • Water-proof (IP68) • DC12V/PoE(Optional)/Fan & Heater(Optional) 	<p>IR Bullet (Ø80)</p>  <p>VCN-V640/620/630IP-IR</p> <ul style="list-style-type: none"> • Sony Progressive SCAN CMOS • 1/3" Sony Exmor 1.3MP, 45fps@all resolution • 1/2.9" Sony Exmor 2MP,30fps@all resolution • 1/2.8" Sony Exmor 3.1MP,25fps@2048(H) X 1536(V) • Support Triple Codec(H.264 / MPEG4 / MJPEG) • f=2.8-12mm DC IRIS Varifocal Lens (ICR) • 44 IREDS • DSS(Sense-up),D-WDR,DNR,Motion Detection • CMS & Smart phone support, ONVIF 2.X Compliance • Two-way Audio, CVBS Video Output • Cable Concealed Bracket • Weather-proof (IP65) • DC12V/PoE(Optional)/Fan & Heater(Optional) 	<p>IR Bullet (Ø70)</p>  <p>VCN2-V640/620/630IP-IR</p> <ul style="list-style-type: none"> • Sony Progressive SCAN CMOS • 1/3" Sony Exmor 1.3MP, 45fps@all resolution • 1/2.9" Sony Exmor 2MP,30fps@all resolution • 1/2.8" Sony Exmor 3.1MP,25fps@2048(H) X 1536(V) • Support Triple Codec(H.264 / MPEG4 / MJPEG) • f=2.8-12mm DC IRIS Varifocal Lens (ICR) • 36 IREDS • DSS(Sense-up),D-WDR,DNR,Motion Detection • CMS & Smart phone support, ONVIF 2.X Compliance • Two-way Audio, CVBS Video Output • Cable Concealed Bracket • Water-proof (IP67) • DC12V/PoE(Optional)/Fan & Heater(Optional) 	 <p>VCN2-V640/620/630IP-SIR</p> <ul style="list-style-type: none"> • Sony Progressive SCAN CMOS • 1/2.8" Sony Exmor 3.1MP, 45fps@all resolution • 1/2.9" Sony Exmor 2MP,30fps@all resolution • 1/2.8" Sony Exmor 3.1MP,25fps@2048(H) X 1536(V) • Support Triple Codec(H.264 / MPEG4 / MJPEG) • f=6-50mm DC IRIS Varifocal Lens (ICR) • 5 PWR IREDS + 25 IREDS • DSS(Sense-up),D-WDR,DNR,Motion Detection • CMS & Smart phone support, ONVIF 2.X Compliance • Two-way Audio, CVBS Video Output • Cable Concealed Bracket • Water-proof (IP67) • DC12V/PoE(Optional)/Fan & Heater(Optional)
<p>IR Bullet (Ø90)</p>  <p>VCNP-V640/620/630IP-IR</p> <ul style="list-style-type: none"> • Sony Progressive SCAN CMOS • 1/3" Sony Exmor 1.3MP, 45fps@all resolution • 1/2.9" Sony Exmor 2MP,30fps@all resolution • 1/2.8" Sony Exmor 3.1MP,25fps@2048(H) X 1536(V) • Support Triple Codec(H.264 / MPEG4 / MJPEG) • f=2.8-12mm DC IRIS Varifocal Lens (ICR) • 70 IREDS • DSS(Sense-up),D-WDR,DNR,Motion Detection • CMS & Smart phone support, ONVIF 2.X Compliance • Two-way Audio, CVBS Video Output • Micro SD Card Slot • Cable Concealed Bracket • Water-proof (IP68) • DC12V / PoE(Optional) / Fan & Heater(Optional) 	<p>Box</p>  <p>VCS2-E640/620/630IP</p> <ul style="list-style-type: none"> • Sony Progressive SCAN CMOS • 1/3" Sony Exmor 1.3MP, 45fps@all resolution • 1/2.9" Sony Exmor 2MP,30fps@all resolution • 1/2.8" Sony Exmor 3.1MP,25fps@2048(H) X 1536(V) • Support Triple Codec(H.264 / MPEG4 / MJPEG) • True Day & Night function • DSS(Sense-up),D-WDR,DNR,Motion Detection • CMS & Smart phone support, ONVIF 2.X Compliance • Two-way Audio, CVBS Video Output • DC12V / PoE(Optional) 	<p>Miniature Square</p>  <p>VCQ3-HDi47IP</p> <ul style="list-style-type: none"> • Sony Progressive SCAN CMOS • 1/2.8" Sony 2.43MP,1080p@30fps • f=3.7mm / F2.5 Mega Board Lens • Dual Streaming (H.264 / MJPEG) • Digital Day & Night • Micro SD/SDHC Card (Max. 32GB) • Two way, Full duplex Audio • Onvif Support • DC12V / PoE(Optional) • 47.5(W) x 47.5(H)mm 	<p>Miniature Bullet (Ø23)</p>  <p>VCL-HDi230</p> <ul style="list-style-type: none"> • Sony Progressive SCAN CMOS • 1/2.8" Sony 2.43MP,1080p@30fps • f=3.7mm / F2.5 Mega Board Lens • Dual Streaming (H.264 / MJPEG) • D-WDR / 3D DNR / DSS • Micro SD / SDHC Card (Max.32GB, Built-in Type) • True Day&Night with ICR(IR Cur Filter) • Onvif Support • DC12V / PoE(Optional)
<p>Zoom Box</p>  <p>VCZ-HZAi302</p> <ul style="list-style-type: none"> • Sony Progressive SCAN CMOS • 1/2.9" Sony 2.38MP,1080p@30fps • X30 Zoom (Optical X30 / Digital X10) • Dual Streaming (H.264 / MJPEG) • True Day & Night with ICR Mechanism • WDR, BLC, HLC, DEFOG, DIS • Quad Streaming, Support Alarm/Audio • Micro SD-card, Onvif Profile-S • DC12V / PoE(Optional) 	<p>Speed Dome</p>  <p>VSPT-X12IP</p> <ul style="list-style-type: none"> • Sony Progressive SCAN CMOS • 1/2.9" Sony 2.43MP,1080p@30fps • X12 Zoom (Optical X12 / Digital X10) • Dual Streaming (H.264 / MJPEG) • True Day & Night with ICR Mechanism • BLC, Privacy Masking, Two way, Full duplex Audio • Onvif 1.02 Support • Weather-proof (IP66) • AC24V / PoE(Optional) 	 <p>VSPT-X20IP/X30IP</p> <ul style="list-style-type: none"> • Sony Progressive SCAN CMOS • 1/2.8" Sony Exmor 2MP, 1080p@30fps • X240 Zoom (Optical X20 / Digital X12), WDR • X360 Zoom (Optical X30 / Digital X12), WDR • Dual Streaming (H.264 / MJPEG) • True Day & Night with ICR (IR Cut Filter) • Built-in Sensor In/Out : 2 In / 2 Out • HD-SDI or CVBS Output • SD Card Slot for Back-up • Water-proof (IP67) • Weatherproof with Built-in Fan & Heater • DC12V / PoE(Optional) 	 <p>VSPT-X20IP-IR/X30IP-IR</p> <ul style="list-style-type: none"> • Sony Progressive SCAN CMOS • 1/2.8" Sony Exmor 2MP, 1080p@30fps • X240 Zoom (Optical X20 / Digital X12) • X360 Zoom (Optical X30 / Digital X12), WDR • Dual Streaming (H.264 / MJPEG) • True Day&Night with ICR(IR Cur Filter) • Intelligent Varifocal IR(Infra Red) LED Control • Audio, RS-485, Alarm I/O support • CVBS Video Output • SD Card Slot for Back-up • Weather-proof (IP66) • DC12V / PoE(Optional)

➤ **EX-SDI (Extended Serial Digital Interface)** is a transmission technology of the next generation to overcome the limitations with HD-SDI camera in a long distance transmission of HD images.

- Supports 1080p25/30/50/60, 720p25/30/50/60
- Supports HD-SDI (270M, 1.485G, 2.97G)
- Visually Lossless Codec of 270Mbps
- Low Latency without Frame Delay
- Backward Compatibility with 3G-SDI / HD-SDI
- ACE, 3D NR, Auto (AE, AF, AWB), WDR, Digital Zoom
- JPEG based Algorithm
- HD cctv 2.0 Compliance
- Up to 300m (RG59)

EX-SDI

Long Reach Solution (VLC) Block Diagram



•VRA-331EX : Auto Input Rate Detection (EX-SDI / HD-SDI)

IR Indoor Dome (Ø100)



VCD6-V660DM-IR

- 1/3" Panasonic 2.2M Progressive Scan
- **SMPTE274M (1080p30/25, 720p60/50, 720p30/25)**
- **HD-SDI (270M,1.485G)**
- **EX-SDI (Long Reach Up to 300m [RG59])**
- 0.1 lux @ F1.4, 30IRE, 0.0Lux@IRED ON(B/W)
- **HD-SDI to EX-SDI Selectable by OSD**
- WDR(Double Scan), 2D/3D-DNR, ACE, HLM, Sens-up
- 30 IREDS
- 3 Axis Gimbal Bracket
- f=2.8-12mm DC IRIS Varifocal Lens (ICR)

IR Outdoor Dome (Ø100)



VCV6-V660DM-IR

- 1/3" Panasonic 2.2M Progressive Scan
- **SMPTE274M (1080p30/25, 720p60/50, 720p30/25)**
- **HD-SDI (270M,1.485G)**
- **EX-SDI (Long Reach Up to 300m [RG59])**
- 0.1 lux @ F1.4, 30IRE, 0.0Lux@IRED ON(B/W)
- **HD-SDI to EX-SDI Selectable by OSD**
- WDR(Double Scan), 2D/3D-DNR, ACE, HLM, Sens-up
- 30 IREDS
- Water-proof (IP67)
- 3 Axis Gimbal Bracket
- f=2.8-12mm DC IRIS Varifocal Lens (ICR)



VCVP-V660DM-IR

- 1/3" Panasonic 2.2M Progressive Scan
- **SMPTE274M (1080p30/25, 720p60/50, 720p30/25)**
- **HD-SDI (270M,1.485G)**
- **EX-SDI (Long Reach Up to 300m [RG59])**
- 0.1 lux @ F1.4, 30IRE, 0.0Lux@IRED ON(B/W)
- **HD-SDI to EX-SDI Selectable by OSD**
- WDR(Double Scan), 2D/3D-DNR, ACE, HLM, Sens-up
- 40 IREDS
- Water-proof (IP68)
- 3 Axis Gimbal Bracket
- f=2.8-12mm DC IRIS Varifocal Lens (ICR)

IR Indoor Dome (Ø100)



VCD6-V6C0DM-IR

- 1/3" Panasonic 2.2M Progressive Scan
- **SMPTE274M (1080p60/50, 1080p30/25, 720p60/50, 720p30/25)**
- **3G-SDI (270M,1.485G, 2.97G)**
- **EX-SDI (Long Reach Up to 300m [RG59])**
- 0.1 lux @ F1.4, 30IRE, 0.0Lux@IRED ON(B/W)
- **HD-SDI to EX-SDI Selectable by OSD**
- WDR(Double Scan), 3D-DNR, HLM, Sens-up
- DIS, Quick Zoom
- 30 IREDS
- 3 Axis Gimbal Bracket
- f=2.8-12mm DC IRIS Varifocal Lens (ICR)

IR Outdoor Dome (Ø100)



VCV6-V6C0DM-IR

- 1/3" Panasonic 2.2M Progressive Scan
- **SMPTE274M (1080p60/50, 1080p30/25, 720p60/50, 720p30/25)**
- **3G-SDI (270M,1.485G, 2.97G)**
- **EX-SDI (Long Reach Up to 300m [RG59])**
- 0.1 lux @ F1.4, 30IRE, 0.0Lux@IRED ON(B/W)
- **HD-SDI to EX-SDI Selectable by OSD**
- WDR(Double Scan), 3D-DNR, HLM, Sens-up
- DIS, Quick Zoom
- 30 IREDS
- Water-proof (IP67)
- 3 Axis Gimbal Bracket
- f=2.8-12mm DC IRIS Varifocal Lens (ICR)



VCVP-V6C0DM-IR

- 1/3" Panasonic 2.2M Progressive Scan
- **SMPTE274M (1080p60/50, 1080p30/25, 720p60/50, 720p30/25)**
- **3G-SDI (270M,1.485G, 2.97G)**
- **EX-SDI (Long Reach Up to 300m [RG59])**
- 0.1 lux @ F1.4, 30IRE, 0.0Lux@IRED ON(B/W)
- **HD-SDI to EX-SDI Selectable by OSD**
- WDR(Double Scan), 3D-DNR, HLM, Sens-up
- DIS, Quick Zoom
- 40 IREDS
- Water-proof (IP68)
- 3 Axis Gimbal Bracket
- f=2.8-12mm DC IRIS Varifocal Lens (ICR)

IR Bullet (Ø65)



VCL3-V660DM-IR

- 1/3" Panasonic 2.2M Progressive Scan
- **SMPTE274M (1080p30/25, 720p60/50, 720p30/25)**
- **HD-SDI (270M,1.485G)**
- **EX-SDI (Long Reach Up to 300m [RG59])**
- 0.1 lux @ F1.4, 30IRE, 0.0Lux@IRED ON(B/W)
- **HD-SDI to EX-SDI Selectable by OSD**
- WDR(Double Scan), 2D/3D-DNR, ACE, HLM, Sens-up
- 36 IREDS
- Weather-proof (IP66)
- Cable Concealed Bracket
- f=2.8-12mm DC IRIS Varifocal Lens (ICR)

IR Bullet (Ø75)



VCL2-V660DM-IR

- 1/3" Panasonic 2.2M Progressive Scan
- **SMPTE274M (1080p30/25, 720p60/50, 720p30/25)**
- **HD-SDI (270M,1.485G)**
- **EX-SDI (Long Reach Up to 300m [RG59])**
- 0.1 lux @ F1.4, 30IRE, 0.0Lux@IRED ON(B/W)
- **HD-SDI to EX-SDI Selectable by OSD**
- WDR(Double Scan), 2D/3D-DNR, ACE, HLM, Sens-up
- 42 IREDS
- Weather-proof (IP66)
- Cable Concealed Bracket
- f=2.8-12mm DC IRIS Varifocal Lens (ICR)

IR Bullet (Ø65)



VCL3-V6C0DM-IR

- 1/3" Panasonic 2.2M Progressive Scan
- **SMPTTE274M** (1080p60/50, 1080p30/25, 720p60/50, 720p30/25)
- **3G-SDI (270M, 1.485G, 2.97G)**
- **EX-SDI (Long Reach Up to 300m [RG59])**
- 0.1 lux @ F1.4, 30IRE, 0.0Lux@IRED ON(B/W)
- **HD-SDI to EX-SDI Selectable by OSD**
- WDR(Double Scan), 3D-DNR, HLM, Sens-up DIS, Quick Zoom
- 36 IREDS
- Weather-proof (IP66)
- Cable Concealed Bracket
- f=2.8-12mm DC IRIS Varifocal Lens (ICR)

IR Bullet (Ø75)



VCL2-V6C0DM-IR

- 1/3" Panasonic 2.2M Progressive Scan
- **SMPTTE274M** (1080p60/50, 1080p30/25, 720p60/50, 720p30/25)
- **3G-SDI (270M, 1.485G, 2.97G)**
- **EX-SDI (Long Reach Up to 300m [RG59])**
- 0.1 lux @ F1.4, 30IRE, 0.0Lux@IRED ON(B/W)
- **HD-SDI to EX-SDI Selectable by OSD**
- WDR(Double Scan), 3D-DNR, HLM, Sens-up DIS, Quick Zoom
- 42 IREDS
- Weather-proof (IP66)
- Cable Concealed Bracket
- f=2.8-12mm DC IRIS Varifocal Lens (ICR)

IR Bullet (Ø80)



VCN-V660DM-IR

- 1/3" Panasonic 2.2M Progressive Scan
- **SMPTTE274M (1080p30/25, 720p60/50, 720p30/25)**
- **HD-SDI (270M, 1.485G)**
- **EX-SDI (Long Reach Up to 300m [RG59])**
- 0.1 lux @ F1.4, 30IRE, 0.0Lux@IRED ON(B/W)
- **HD-SDI to EX-SDI Selectable by OSD**
- WDR(Double Scan), 2D/3D-DNR, ACE, HLM, Sens-up
- 44 IREDS
- Weather-proof (IP65)
- Cable Concealed Bracket
- f=2.8-12mm DC IRIS Varifocal Lens (ICR)



VCN-V660DM-SR

- 1/3" Panasonic 2.2M Progressive Scan
- **SMPTTE274M (1080p30/25, 720p60/50, 720p30/25)**
- **HD-SDI (270M, 1.485G)**
- **EX-SDI (Long Reach Up to 300m [RG59])**
- 0.1 lux @ F1.4, 30IRE, 0.0Lux@IRED ON(B/W)
- **HD-SDI to EX-SDI Selectable by OSD**
- WDR(Double Scan), 2D/3D-DNR, ACE, HLM, Sens-up
- 10 PWR IREDS
- Weather-proof (IP65)
- Cable Concealed Bracket
- f=9-22mm DC IRIS Varifocal Lens (ICR)

IR Bullet (Ø70)



VCN2-V660DM-IR

- 1/3" Panasonic 2.2M Progressive Scan
- **SMPTTE274M (1080p30/25, 720p60/50, 720p30/25)**
- **HD-SDI (270M, 1.485G)**
- **EX-SDI (Long Reach Up to 300m [RG59])**
- 0.1 lux @ F1.4, 30IRE, 0.0Lux@IRED ON(B/W)
- **HD-SDI to EX-SDI Selectable by OSD**
- WDR(Double Scan), 2D/3D-DNR, ACE, HLM, Sens-up
- 36 IREDS
- Water-proof (IP67)
- Cable Concealed Bracket
- f=2.8-12mm DC IRIS Varifocal Lens (ICR)



VCN2-V660DM-SIR

- 1/3" Panasonic 2.2M Progressive Scan
- **SMPTTE274M (1080p30/25, 720p60/50, 720p30/25)**
- **HD-SDI (270M, 1.485G)**
- **EX-SDI (Long Reach Up to 300m [RG59])**
- 0.1 lux @ F1.4, 30IRE, 0.0Lux@IRED ON(B/W)
- **HD-SDI to EX-SDI Selectable by OSD**
- WDR(Double Scan), 2D/3D-DNR, ACE, HLM, Sens-up
- 5 PWR IREDS + 25 IREDS
- Water-proof (IP67)
- Cable Concealed Bracket
- f=6-50mm DC IRIS Varifocal Lens (ICR)

IR Bullet (Ø90)



VCNP-V660DM-IR

- 1/3" Panasonic 2.2M Progressive Scan
- **SMPTTE274M (1080p30/25, 720p60/50, 720p30/25)**
- **HD-SDI (270M, 1.485G)**
- **EX-SDI (Long Reach Up to 300m [RG59])**
- 0.1 lux @ F1.4, 30IRE, 0.0Lux@IRED ON(B/W)
- **HD-SDI to EX-SDI Selectable by OSD**
- WDR(Double Scan), 2D/3D-DNR, ACE, HLM, Sens-up
- 70 IREDS
- Water-proof (IP68)
- Cable Concealed Bracket
- f=3.5-16mm DC IRIS Varifocal Lens (ICR)



VCNP-V660DM-SIR

- 1/3" Panasonic 2.2M Progressive Scan
- **SMPTTE274M (1080p30/25, 720p60/50, 720p30/25)**
- **HD-SDI (270M, 1.485G)**
- **EX-SDI (Long Reach Up to 300m [RG59])**
- 0.1 lux @ F1.4, 30IRE, 0.0Lux@IRED ON(B/W)
- **HD-SDI to EX-SDI Selectable by OSD**
- WDR(Double Scan), 2D/3D-DNR, ACE, HLM, Sens-up
- 10 PWR IREDS + 30 IREDS
- Water-proof (IP68)
- Cable Concealed Bracket
- f=6-50mm DC IRIS Varifocal Lens (ICR)

IR Bullet (Ø80)



VCN-V6C0DM-IR

- 1/3" Panasonic 2.2M Progressive Scan
- **SMPTTE274M** (1080p60/50, 1080p30/25, 720p60/50, 720p30/25)
- **3G-SDI (270M, 1.485G, 2.97G)**
- **EX-SDI (Long Reach Up to 300m [RG59])**
- 0.1 lux @ F1.4, 30IRE, 0.0Lux@IRED ON(B/W)
- **HD-SDI to EX-SDI Selectable by OSD**
- WDR(Double Scan), 3D-DNR, HLM, Sens-up DIS, Quick Zoom
- 44 IREDS
- Weather-proof (IP65)
- Cable Concealed Bracket
- f=2.8-12mm DC IRIS Varifocal Lens (ICR)



VCN-V6C0DM-SR

- 1/3" Panasonic 2.2M Progressive Scan
- **SMPTTE274M** (1080p60/50, 1080p30/25, 720p60/50, 720p30/25)
- **3G-SDI (270M, 1.485G, 2.97G)**
- **EX-SDI (Long Reach Up to 300m [RG59])**
- 0.1 lux @ F1.4, 30IRE, 0.0Lux@IRED ON(B/W)
- **HD-SDI to EX-SDI Selectable by OSD**
- WDR(Double Scan), 3D-DNR, HLM, Sens-up DIS, Quick Zoom
- 10 PWR IREDS
- Weather-proof (IP65)
- Cable Concealed Bracket
- f=9-22mm DC IRIS Varifocal Lens (ICR)

IR Bullet (Ø70)



VCN2-V6C0DM-IR

- 1/3" Panasonic 2.2M Progressive Scan
- **SMPTTE274M** (1080p60/50, 1080p30/25, 720p60/50, 720p30/25)
- **3G-SDI (270M, 1.485G, 2.97G)**
- **EX-SDI (Long Reach Up to 300m [RG59])**
- 0.1 lux @ F1.4, 30IRE, 0.0Lux@IRED ON(B/W)
- **HD-SDI to EX-SDI Selectable by OSD**
- WDR(Double Scan), 3D-DNR, HLM, Sens-up DIS, Quick Zoom
- 36 IREDS
- Water-proof (IP67)
- Cable Concealed Bracket
- f=2.8-12mm DC IRIS Varifocal Lens (ICR)



VCN2-V6C0DM-SIR

- 1/3" Panasonic 2.2M Progressive Scan
- **SMPTTE274M** (1080p60/50, 1080p30/25, 720p60/50, 720p30/25)
- **3G-SDI (270M, 1.485G, 2.97G)**
- **EX-SDI (Long Reach Up to 300m [RG59])**
- 0.1 lux @ F1.4, 30IRE, 0.0Lux@IRED ON(B/W)
- **HD-SDI to EX-SDI Selectable by OSD**
- WDR(Double Scan), 3D-DNR, HLM, Sens-up DIS, Quick Zoom
- 5 PWR IREDS + 25 IREDS
- Water-proof (IP67)
- Cable Concealed Bracket
- f=6-50mm DC IRIS Varifocal Lens (ICR)

IR Bullet (Ø90)



VCNP-V6C0DM-IR

- 1/3" Panasonic 2.2M Progressive Scan
- **SMPTTE274M** (1080p60/50, 1080p30/25, 720p60/50, 720p30/25)
- **3G-SDI (270M, 1.485G, 2.97G)**
- **EX-SDI (Long Reach Up to 300m [RG59])**
- 0.1 lux @ F1.4, 30IRE, 0.0Lux@IRED ON(B/W)
- **HD-SDI to EX-SDI Selectable by OSD**
- WDR(Double Scan), 3D-DNR, HLM, Sens-up DIS, Quick Zoom
- 70 IREDS
- Water-proof (IP68)
- Cable Concealed Bracket
- f=3.5-16mm DC IRIS Varifocal Lens (ICR)



VCNP-V6C0DM-SIR

- 1/3" Panasonic 2.2M Progressive Scan
- **SMPTTE274M** (1080p60/50, 1080p30/25, 720p60/50, 720p30/25)
- **3G-SDI (270M, 1.485G, 2.97G)**
- **EX-SDI (Long Reach Up to 300m [RG59])**
- 0.1 lux @ F1.4, 30IRE, 0.0Lux@IRED ON(B/W)
- **HD-SDI to EX-SDI Selectable by OSD**
- WDR(Double Scan), 3D-DNR, HLM, Sens-up DIS, Quick Zoom
- 10 PWR IREDS + 30 IREDS
- Water-proof (IP68)
- Cable Concealed Bracket
- f=6-50mm DC IRIS Varifocal Lens (ICR)

Box



VCS2-E660DM

- 1/3" Panasonic 2.2M Progressive Scan
- **SMPTTE274M (1080p30/25, 720p60/50, 720p30/25)**
- **HD-SDI (270M, 1.485G)**
- **EX-SDI (Long Reach Up to 300m [RG59])**
- 0.1 lux @ F1.4, 30IRE
- **HD-SDI to EX-SDI Selectable by OSD**
- WDR(Double Scan), 2D/3D-DNR, ACE, HLM, Sens-up
- True Day & Night ICR Mechanism
- C/CS Mount Lens
- Option : AC24V



VCS2-E6C0DM

- 1/3" Panasonic 2.2M Progressive Scan
- **SMPTTE274M** (1080p60/50, 1080p30/25, 720p60/50, 720p30/25)
- **3G-SDI (270M, 1.485G, 2.97G)**
- **EX-SDI (Long Reach Up to 300m [RG59])**
- 0.1 lux @ F1.4, 30IRE
- **HD-SDI to EX-SDI Selectable by OSD**
- WDR(Double Scan), 3D-DNR, HLM, Sens-up DIS, Quick Zoom
- True Day & Night ICR Mechanism
- C/CS Mount Lens
- Option : AC24V

HD-SDI CAMERA

IR Indoor Dome (Ø80)	IR Indoor Dome (Ø100)	IR Outdoor Dome (Ø100)	IR Outdoor Dome (Ø57)
----------------------	-----------------------	------------------------	-----------------------



- VCD2-F910DM-IR**
- 1/3" Panasonic 2.2M Progressive Scan
 - **SMPTE274M (1080p30/25, 720p60/50, 720p30/25)**
 - HD-SDI (1.485G)
 - 0.1 lux @ F1.4, 30IRE, 0.0Lux@IRED ON(B/W)
 - WDR(Double Scan), 2D/3D-DNR, ACE
 - HLM, D-Zoom, Sens-up
 - Privacy Zones, Motion Detection
 - 24 IREDS
 - 3 Axis Gimbal Bracket
 - f=3.6mm Fixed Lens



- VCD6-V610DM-IR**
- 1/3" Panasonic 2.2M Progressive Scan
 - **SMPTE274M (1080p30/25, 720p60/50, 720p30/25)**
 - HD-SDI (1.485G)
 - 0.1 lux @ F1.4, 30IRE, 0.0Lux@IRED ON(B/W)
 - WDR(Double Scan), 2D/3D-DNR, ACE
 - HLM, D-Zoom, Sens-up
 - Privacy Zones, Motion Detection
 - 30 IREDS
 - 3 Axis Gimbal Bracket
 - f=2.8-12mm DC IRIS Varifocal Lens (ICR)



- VCV6-V610DM-IR**
- 1/3" Panasonic 2.2M Progressive Scan
 - **SMPTE274M (1080p30/25, 720p60/50, 720p30/25)**
 - HD-SDI (1.485G)
 - 0.1 lux @ F1.4, 30IRE, 0.0Lux@IRED ON(B/W)
 - WDR(Double Scan), 2D/3D-DNR, ACE
 - HLM, D-Zoom, Sens-up
 - Privacy Zones, Motion Detection
 - 30 IREDS
 - Water-proof (IP67)
 - 3 Axis Gimbal Bracket
 - f=2.8-12mm DC IRIS Varifocal Lens (ICR)



- VVC7-F910DM-IR**
- 1/3" Panasonic 2.2M Progressive Scan
 - **SMPTE274M (1080p30/25, 720p60/50, 720p30/25)**
 - HD-SDI (1.485G)
 - 0.1 lux @ F1.4, 30IRE, 0.0Lux@IRED ON(B/W)
 - WDR(Double Scan), 2D/3D-DNR, ACE
 - HLM, D-Zoom, Sens-up
 - Privacy Zones, Motion Detection
 - 12 IREDS
 - Water-proof (IP67)
 - 3 Axis Gimbal Bracket
 - f=3.6mm Fixed Lens

IR Bullet (Ø75)	IR Bullet (Ø70)	IR Bullet (Ø36)	Box
-----------------	-----------------	-----------------	-----



- VCL2-V610DM-IR**
- 1/3" Panasonic 2.2M Progressive Scan
 - **SMPTE274M (1080p30/25, 720p60/50, 720p30/25)**
 - HD-SDI (1.485G)
 - 0.1 lux @ F1.4, 30IRE, 0.0Lux@IRED ON(B/W)
 - WDR(Double Scan), 2D/3D-DNR, ACE
 - HLM, D-Zoom, Sens-up
 - Privacy Zones, Motion Detection
 - 42 IREDS
 - Weather-proof (IP66)
 - Cable Concealed Bracket
 - f=2.8-12mm DC IRIS Varifocal Lens (ICR)



- VCN2-V610DM-IR**
- 1/3" Panasonic 2.2M Progressive Scan
 - **SMPTE274M (1080p30/25, 720p60/50, 720p30/25)**
 - HD-SDI (1.485G)
 - 0.1 lux @ F1.4, 30IRE, 0.0Lux@IRED ON(B/W)
 - WDR(Double Scan), 2D/3D-DNR, ACE
 - HLM, D-Zoom, Sens-up
 - Privacy Zones, Motion Detection
 - 36 IRLDs
 - Water-proof (IP67)
 - Cable Concealed Bracket
 - f=2.8-12mm DC IRIS Varifocal Lens (ICR)



- VCL5-F934DM-IR**
- 1/3" Panasonic 2.2M Progressive Scan
 - **SMPTE274M (1080p30/25, 720p60/50, 720p30/25)**
 - HD-SDI (1.485G)
 - 0.1 lux @ F1.4, 30IRE, 0.0Lux@IRED ON(B/W)
 - WDR(Double Scan), 2D/3D-DNR, ACE
 - HLM, D-Zoom, Sens-up
 - Privacy Zones, Motion Detection
 - 10 IREDS
 - Water-proof (IP67)
 - Cable Concealed Bracket
 - f=3.6mm Fixed Lens



- VCS2-E610DM**
- 1/3" Panasonic 2.2M Progressive Scan
 - **SMPTE274M (1080p30/25, 720p60/50, 720p30/25)**
 - HD-SDI (1.485G)
 - 0.1 lux @ F1.4, 30IRE
 - WDR(Double Scan), 2D/3D-DNR, ACE
 - HLM, D-Zoom, Sens-up
 - Privacy Zones, Motion Detection
 - True Day & Night ICR Mechanism
 - C/CS Mount Lens
 - Option : AC24V

Miniature Square (30x30)	Miniature Buellet (Ø19)
--------------------------	-------------------------



- VCQ-F302DM**
- 1/3" Panasonic 2.2M Progressive Scan
 - **SMPTE274M (1080p30/25, 720p60/50, 720p30/25)**
 - HD-SDI (1.485G)
 - 0.1 lux @ F1.4, 30IRE
 - WDR(Double Scan), 3D-DNR, ACE
 - HLM, D-Zoom, Sens-up
 - Built in OSD Joystick
 - Privacy Zones, Motion Detection
 - f=3.6mm Fixed Lens



- VCQ-P302DM**
- 1/3" Panasonic 2.2M Progressive Scan
 - **SMPTE274M (1080p30/25, 720p60/50, 720p30/25)**
 - HD-SDI (1.485G)
 - 0.1 lux @ F1.4, 30IRE
 - WDR(Double Scan), 3D-DNR, ACE
 - HLM, D-Zoom, Sens-up
 - Built in OSD Joystick
 - Privacy Zones, Motion Detection
 - Pinhole Lens (f=4.3mm, P4)



- VCL-F402DM**
- 1/3" Panasonic 2.2M Progressive Scan
 - **SMPTE274M (1080p30/25, 720p60/50, 720p30/25)**
 - HD-SDI (1.485G)
 - 0.1 lux @ F1.4, 30IRE
 - WDR(Double Scan), 3D-DNR, ACE
 - HLM, D-Zoom, Sens-up
 - Privacy Zones, Motion Detection
 - WDR, 3DNR / Convenient OSD
 - f=3.6mm Fixed Lens
 - Option : Cable OSD Key



- VCL-P402DM**
- 1/3" Panasonic 2.2M Progressive Scan
 - **SMPTE274M (1080p30/25, 720p60/50, 720p30/25)**
 - HD-SDI (1.485G)
 - 0.1 lux @ F1.4, 30IRE
 - WDR(Double Scan), 3D-DNR, ACE
 - HLM, D-Zoom, Sens-up
 - Privacy Zones, Motion Detection
 - Pinhole Lens (f=4.3mm, P4)
 - Option : Cable OSD Key

Speed Dome	Zoom Box
------------	----------



- VSPT-X20HD/X30HD**
- Sony Progressive SCAN CMOS
 - 1/2.8" Sony Exmor 2MP, 1080p@30fps
 - X240 Zoom (Optical X20 / Digital X12), WDR
 - X360 Zoom (Optical X30 / Digital X12), WDR
 - True Day & Night with ICR (IR Cut Filter)
 - Built-in Sensor In/Out : 2 In / 2 Out
 - HD-SDI or CVBS Output
 - Water-proof (IP67)
 - Weatherproof with Built-in Fan & Heater



- VSPT-X20HD-IR/X30HD-IR**
- Sony Progressive SCAN CMOS
 - 1/2.8" Sony Exmor 2MP, 1080p@30fps
 - X240 Zoom (Optical X20 / Digital X12)
 - X360 Zoom (Optical X30 / Digital X12), WDR
 - True Day&Night with ICR(IR Cur Filter)
 - Intelligent Vari focal IR(Infra Red) LED Control
 - Audio, RS-485, Alarm I/O support
 - CVBS Video Output
 - Weather-proof (IP66)



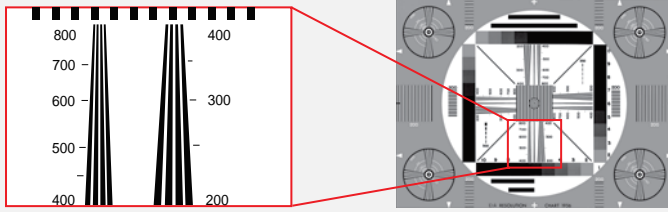
- VSPT-X12HD**
- Sony Progressive SCAN CMOS
 - 1/2.9" Sony Exmor 2.43MP, 1080p@30fps
 - X120 Zoom (Optical X12 / Digital X10)
 - True Day & Night with ICR Mechanism
 - WDR, 3DNR / Convenient OSD
 - 210 Preset Position, 8 Auto Scan, 8 Pattern
 - 8 Tours consist of Preset Patterns and Scans
 - 4 Alarm Input and 1 Alarm Output
 - Weather-proof (IP66)
 - AC24V Only



- VCZ-HZA302M**
- Sony Progressive SCAN CMOS
 - 1/2.8" Sony Exmor 2.38MP, 1080p@60fps
 - X300 Zoom (Optical X30 / Digital X10)
 - True Day & Night with ICR Mechanism
 - WDR, 3DNR, DEFOG, DIS, D-Zoom
 - Multi-Language OSD
 - HDMI, HD-SDI, CVBS Video Output

Supreme Resolution of 850TV-Line

1/3" Sony 1.3M Progressive Scan CMOS chipset provides the high horizontal resolution up to 850TV-Line for color with extremely clear and vivid image quality.



WDR(Wide Dynamic Range)

Improvement of visibility under high contrast scene by double shutter and intelligent image processing.



WDR OFF



WDR ON

Defog

A defog function provides high contrast picture.



Defog OFF



Defog ON

Sense-up(DSS, Digital slow shutter)

Sense up provides a high quality picture in darkness environment and can be watched by color mode.



OFF



ON

3D-DNR(Digital Noise Reduction)

3D NR Anti-blur



DNR OFF



DNR ON

Indoor Dome (Ø80)

Effio-E



VCD2-F822H

- Sony 1/3" 960H Super HAD CCD II
- High Resolution of 700 TV Lines
- 0.1Lux @ 30IRE, F2.0
- 2D-DNR, HLC, ATR, OSD
- Privacy Zones, Motion Detection
- 3 Axis Gimbal Bracket
- f=3.6mm Fixed Lens

Refia-D



VCD2-F842H

- Sony 1/3" 960H Super HAD CCD II
- High Resolution of 700 TV Lines
- 0.05Lux @ 30IRE, F2.0 (SENS-UP x4)
- 3D-DNR, D-WDR, HSBLCL, Defog, OSD
- 256X Sense-up, D-Zoom
- Privacy Zones, Motion Detection, UTC
- 3 Axis Gimbal Bracket
- f=3.6mm Fixed Lens

Effio-V



VCD2-F202W

- 1/3" Sony 960H Super HAD CCD II
- High Resolution of 700 TV Lines
- 0.05Lux(Day), 0.0002Lux(DSS on)
- WDR(Double Scan), 3D-DNR, DSS, UTC Supported
- Built-in OSD key
- 3 Axis Gimbal Bracket
- f=3.6mm Fixed Lens

Mega Analogue



VCD2-F8A2W

- 1/3" Sony 1.3M Progressive Scan CMOS
- High Resolution of 850 TV Lines
- 0.1Lux @ 30IRE, F2.0
- WDR(Double Scan), 3D-DNR, Defog, HLC, OSD
- 32X Sense-up, D-Zoom
- Privacy Zones, Motion Detection
- 3 Axis Gimbal Bracket
- f=3.6mm Fixed Lens

IR Indoor Dome (Ø80)

Effio-E



VCD2-F824H-IR

- Sony 1/3" 960H Super HAD CCD II
- High Resolution of 700 TV Lines
- 0.1Lux @ 30IRE, F2.0, 0.0Lux@IRED ON(B/W)
- 2D-DNR, HLC, ATR, OSD
- Privacy Zones, Motion Detection
- 24 IREDS
- 3 Axis Gimbal Bracket
- f=3.6mm Fixed Lens

Refia-D



VCD2-F844H-IR

- Sony 1/3" 960H Super HAD CCD II
- High Resolution of 700 TV Lines
- 0.05Lux @ 30IRE, F2.0 (SENS-UP x4)
- 0.0Lux@IRED ON(B/W)
- 3D-DNR, D-WDR, HSBLCL, Defog, OSD
- 256X Sense-up, D-Zoom
- Privacy Zones, Motion Detection, UTC
- 24 IREDS
- 3 Axis Gimbal Bracket
- f=3.6mm Fixed Lens

Effio-V



VCD2-F204W-IR

- 1/3" Sony 960H Super HAD CCD II
- High Resolution of 700 TV Lines
- 0.05Lux(Day), 0.0002Lux(DSS on)
- WDR(Double Scan), 3D-DNR, DSS, UTC Supported
- Built-in OSD key
- 24 IREDS
- 3 Axis Gimbal Bracket
- f=3.6mm Fixed Lens

Mega Analogue



VCD2-F8A0W-IR

- 1/3" Sony 1.3M Progressive Scan CMOS
- High Resolution of 850 TV Lines
- 0.1Lux @ 30IRE, F2.0, 0.0Lux@IRED ON(B/W)
- WDR(Double Scan), 3D-DNR, Defog, HLC, OSD
- 32X Sense-up, D-Zoom
- Privacy Zones, Motion Detection
- 24 IREDS
- 3 Axis Gimbal Bracket
- f=3.6mm Fixed Lens

ANALOGUE CAMERA

Indoor Dome (Ø100)

Effio-E



VCD6-V722H

- Sony 1/3" 960H Super HAD CCD II
- High Resolution of 700 TV Lines
- 0.1Lux @ 30IRE, F2.0
- 2D-DNR, HLC, ATR, OSD
- Privacy Zones, Motion Detection
- 3 Axis Gimbal Bracket
- f=2.8-12mm DC IRIS Varifocal Lens

Refia-D



VCD6-V742H

- Sony 1/3" 960H Super HAD CCD II
- High Resolution of 700 TV Lines
- 0.05Lux @ 30IRE, F2.0 (SENS-UP x4)
- 3D-DNR, D-WDR, HSBLC, Defog, OSD
- 256X Sense-up, D-Zoom
- Privacy Zones, Motion Detection, UTC
- 3 Axis Gimbal Bracket
- f=2.8-12mm DC IRIS Varifocal Lens

Effio-P



VCD6-V752W

- Sony 1/3" 960H Super HAD CCD II
- High Resolution of 700 TV Lines
- 0.05Lux @ 30IRE, F2.0 (0.0005 Lux @ DSS x512)
- WDR(Double Scan), 3D-DNR, Defog, HLC, OSD
- 512X Sense-up, D-Zoom
- Privacy Zones, Motion Detection
- 3 Axis Gimbal Bracket
- f=2.8-12mm DC IRIS Varifocal Lens

Mega Analogue



VCD6-V8A2W

- 1/3" Sony 1.3M Progressive Scan CMOS
- High Resolution of 850 TV Lines
- 0.1Lux @ 30IRE, F2.0
- WDR(Double Scan), 3D-DNR, Defog, HLC, OSD
- 32X Sense-up, D-Zoom
- Privacy Zones, Motion Detection
- 3 Axis Gimbal Bracket
- f=2.8-12mm DC IRIS Varifocal Lens

IR Indoor Dome (Ø100)

Effio-E



VCD6-V720H-IR

- Sony 1/3" 960H Super HAD CCD II
- High Resolution of 700 TV Lines
- 0.1Lux @ 30IRE, F2.0, 0.0Lux@IRED ON(B/W)
- 2D-DNR, HLC, ATR, OSD
- Privacy Zones, Motion Detection
- 30 IREDS
- 3 Axis Gimbal Bracket
- f=2.8-12mm DC IRIS Varifocal Lens (ICR)

Refia-D



VCD6-V740H-IR

- Sony 1/3" 960H Super HAD CCD II
- High Resolution of 700 TV Lines
- 0.05Lux @ 30IRE, F2.0 (SENS-UP x4)
- 0.0Lux@IRED ON(B/W)
- 3D-DNR, D-WDR, HSBLC, Defog, OSD
- 256X Sense-up, D-Zoom
- Privacy Zones, Motion Detection, UTC
- 30 IREDS
- 3 Axis Gimbal Bracket
- f=2.8-12mm DC IRIS Varifocal Lens (ICR)

Effio-P



VCD6-V750W-IR

- Sony 1/3" 960H Super HAD CCD II
- High Resolution of 700 TV Lines
- 0.05Lux @ 30IRE, F2.0, 0.0Lux@IRED ON(B/W)
- WDR(Double Scan), 3D-DNR, Defog, HLC, OSD
- 512X Sense-up, D-Zoom
- Privacy Zones, Motion Detection
- 30 IREDS
- 3 Axis Gimbal Bracket
- f=2.8-12mm DC IRIS Varifocal Lens (ICR)

Mega Analogue



VCD6-V8A0W-IR

- 1/3" Sony 1.3M Progressive Scan CMOS
- High Resolution of 850 TV Lines
- 0.1Lux @ 30IRE, F2.0, 0.0Lux@IRED ON(B/W)
- WDR(Double Scan), 3D-DNR, Defog, HLC, OSD
- 32X Sense-up, D-Zoom
- Privacy Zones, Motion Detection
- 30 IREDS
- 3 Axis Gimbal Bracket
- f=2.8-12mm DC IRIS Varifocal Lens (ICR)

Outdoor Dome/IR (Ø57)

Effio-E



VCV8-F822H/F824H-IR

- Sony 1/3" 960H HAD CCD II
- High Resolution of 700 TV Lines
- 0.1Lux @ 30IRE, F2.0, 0.0Lux@IRED ON(B/W)
- 2D-DNR, HLC, ATR, OSD
- Privacy Zones, Motion Detection
- 10 IREDS
- Weather-proof (IP66)
- 3 Axis Gimbal Bracket
- f=3.6mm Fixed Lens

Refia-D



VCV8-F842H/F844H-IR

- Sony 1/3" 960H HAD CCD II
- High Resolution of 700 TV Lines
- 0.05Lux @ 30IRE, F2.0 (SENS-UP x4)
- 0.0Lux@IRED ON(B/W)
- 3D-DNR, D-WDR, HSBLC, Defog, OSD
- 256X Sense-up, D-Zoom
- Privacy Zones, Motion Detection, UTC
- 10 IREDS
- Weather-proof (IP66)
- 3 Axis Gimbal Bracket
- f=3.6mm Fixed Lens

Effio-V



VCV8-F202W/F204W-IR

- 1/3" Sony 960H HAD CCD II
- High Resolution of 700 TV Lines
- 0.05Lux(Day), 0.0002Lux(DSS on)
- WDR(Double Scan), 3D-DNR, DSS, UTC Supported
- Cable OSD Key
- 10 IREDS
- Weather-proof (IP66)
- 3 Axis Gimbal Bracket
- f=3.6mm Fixed Lens

Mega Analogue



VCV8-F8A2W/F8A0W-IR

- 1/3" Sony 1.3M Progressive Scan CMOS
- High Resolution of 850 TV Lines
- 0.1Lux @ 30IRE, F2.0, 0.0Lux@IRED ON(B/W)
- WDR(Double Scan), 3D-DNR, Defog, HLC, OSD
- 32X Sense-up, D-Zoom
- Privacy Zones, Motion Detection
- 10 IREDS
- Weather-proof (IP66)
- 3 Axis Gimbal Bracket
- f=3.6mm Fixed Lens

Outdoor Dome/IR (Ø57)

Effio-E



VCV7-F822H/F824H-IR

- Sony 1/3" 960H Super HAD CCD II
- High Resolution of 700 TV Lines
- 0.1Lux @ 30IRE, F2.0, 0.0Lux@IRED ON(B/W)
- 2D-DNR, HLC, ATR, OSD
- Privacy Zones, Motion Detection
- 12 IREDS
- Water-proof (IP67)
- 3 Axis Gimbal Bracket
- f=3.6mm Fixed Lens

Refia-D



VCV7-F842H/F844H-IR

- Sony 1/3" 960H Super HAD CCD II
- High Resolution of 700 TV Lines
- 0.05Lux @ 30IRE, F2.0 (SENS-UP x4)
- 0.0Lux@IRED ON(B/W)
- 3D-DNR, D-WDR, HSBLC, Defog, OSD
- 256X Sense-up, D-Zoom
- Privacy Zones, Motion Detection, UTC
- 12 IREDS
- Water-proof (IP67)
- 3 Axis Gimbal Bracket
- f=3.6mm Fixed Lens

Effio-V



VCV7-F202W/F204W-IR

- 1/3" Sony 960H HAD CCD II
- High Resolution of 700 TV Lines
- 0.05Lux(Day), 0.0002Lux(DSS on)
- WDR(Double Scan), 3D-DNR, DSS, UTC Supported
- Cable OSD Key
- 12 IREDS
- Water-proof (IP67)
- 3 Axis Gimbal Bracket
- f=3.6mm Fixed Lens

Mega Analogue



VCV7-F8A2W/F8A0W-IR

- 1/3" Sony 1.3M Progressive Scan CMOS
- High Resolution of 850 TV Lines
- 0.1Lux @ 30IRE, F2.0, 0.0Lux@IRED ON(B/W)
- WDR(Double Scan), 3D-DNR, Defog, HLC, OSD
- 32X Sense-up, D-Zoom
- Privacy Zones, Motion Detection
- 12 IREDS
- Water-proof (IP67)
- 3 Axis Gimbal Bracket
- f=3.6mm Fixed Lens

ANALOGUE CAMERA

IR Outdoor Dome (Ø69)

Effio-E



VCE-F824H-IR

- Sony 1/3" 960H Super HAD CCD II
- High Resolution of 700 TV Lines
- 0.1Lux @ 30IRE, F2.0, 0.0Lux@IRED ON(B/W)
- 2D-DNR, HLC, ATR, OSD
- Privacy Zones, Motion Detection
- 25 IREDS
- Weather-proof (IP66)
- 3 Axis Gimbal Bracket
- f=3.6mm Fixed Lens

Refia-D



VCE-F844H-IR

- Sony 1/3" 960H Super HAD CCD II
- High Resolution of 700 TV Lines
- 0.05Lux @ 30IRE, F2.0 (SENS-UP x4)
- 0.0Lux@IRED ON(B/W)
- 3D-DNR, D-WDR, HSBLC,Defog, OSD
- 256X Sense-up, D-Zoom
- Privacy Zones, Motion Detection, UTC
- 25 IREDS
- Weather-proof (IP66)
- 3 Axis Gimbal Bracket
- f=3.6mm Fixed Lens

Effio-V



VCE-F204W-IR

- 1/3" Sony 960H Super HAD CCD II
- High Resolution of 700 TV Lines
- 0.05Lux(Day), 0.0002Lux(DSS on)
- WDR(Double Scan), 3D-DNR, DSS, UTC Supported
- Cable OSD Key
- 25 IREDS
- Weather-proof (IP65)
- 3 Axis Gimbal Bracket
- f=3.6mm Fixed Lens

Mega Analogue



VCE-F8A0W-IR

- 1/3" Sony 1.3M Progressive Scan CMOS
- High Resolution of 850 TV Lines
- 0.1Lux @ 30IRE, F2.0, 0.0Lux@IRED ON(B/W)
- WDR(Double Scan), 3D-DNR, Defog, HLC, OSD
- 32X Sense-up, D-Zoom
- Privacy Zones, Motion Detection
- 25 IREDS
- Weather-proof (IP66)
- 3 Axis Gimbal Bracket
- f=3.6mm Fixed Lens

Outdoor Dome (Ø100)

Effio-E



VCV6-V722H

- Sony 1/3" 960H Super HAD CCD II
- High Resolution of 700 TV Lines
- 0.1Lux @ 30IRE, F2.0
- 2D-DNR, HLC, ATR, OSD
- Privacy Zones, Motion Detection
- Water-proof (IP67)
- 3 Axis Gimbal Bracket
- f=2.8-12mm DC IRIS Varifocal Lens

Refia-D



VCV6-V742H

- Sony 1/3" 960H Super HAD CCD II
- High Resolution of 700 TV Lines
- 0.05Lux @ 30IRE, F2.0 (SENS-UP x4)
- 3D-DNR, D-WDR, HSBLC,Defog, OSD
- 256X Sense-up, D-Zoom
- Privacy Zones, Motion Detection, UTC
- Water-proof (IP67)
- 3 Axis Gimbal Bracket
- f=2.8-12mm DC IRIS Varifocal Lens

Effio-P



VCV6-V752W

- Sony 1/3" 960H Super HAD CCD II
- High Resolution of 700 TV Lines
- 0.05Lux @ 30IRE, F2.0 (0.0005 Lux @ DSS x512)
- WDR(Double Scan), 3D-DNR, Defog, HLC, OSD
- 512X Sense-up, D-Zoom
- Privacy Zones, Motion Detection
- Water-proof (IP67)
- 3 Axis Gimbal Bracket
- f=2.8-12mm DC IRIS Varifocal Lens

Mega Analogue



VCV6-V8A2W

- 1/3" Sony 1.3M Progressive Scan CMOS
- High Resolution of 850 TV Lines
- 0.1Lux @ F2.0, 30IRE
- WDR(Double Scan), 3D-DNR, Defog, HLC, OSD
- 32X Sense-up, D-Zoom
- Privacy Zones, Motion Detection
- Water-proof (IP67)
- 3 Axis Gimbal Bracket
- f=2.8-12mm DC IRIS Varifocal Lens

IR Outdoor Dome (Ø100)

Effio-E



VCV6-V720H-IR

- Sony 1/3" 960H Super HAD CCD II
- High Resolution of 700 TV Lines
- 0.1Lux @ 30IRE, F2.0, 0.0Lux@IRED ON(B/W)
- 2D-DNR, HLC, ATR, OSD
- Privacy Zones, Motion Detection
- 30 IREDS
- Water-proof (IP67)
- 3 Axis Gimbal Bracket
- f=2.8-12mm DC IRIS Varifocal Lens (ICR)

Refia-D



VCV6-V740H-IR

- Sony 1/3" 960H Super HAD CCD II
- High Resolution of 700 TV Lines
- 0.05Lux @ 30IRE, F2.0 (SENS-UP x4)
- 0.0Lux@IRED ON(B/W)
- 3D-DNR, D-WDR, HSBLC,Defog, OSD
- 256X Sense-up, D-Zoom
- Privacy Zones, Motion Detection, UTC
- 30 IREDS
- Water-proof (IP67)
- 3 Axis Gimbal Bracket
- f=2.8-12mm DC IRIS Varifocal Lens (ICR)

Effio-P



VCV6-V750W-IR

- Sony 1/3" 960H Super HAD CCD II
- High Resolution of 700 TV Lines
- 0.05Lux @ 30IRE, F2.0 (0.0005 Lux @ DSS x512) (color)
- 0.0Lux@IRED ON(B/W)
- WDR(Double Scan), 3D-DNR, Defog, HLC, OSD
- 512X Sense-up, D-Zoom
- Privacy Zones, Motion Detection
- 30 IREDS
- Water-proof (IP67)
- 3 Axis Gimbal Bracket
- f=2.8-12mm DC IRIS Varifocal Lens (ICR)

Mega Analogue



VCV6-V8A0W-IR

- 1/3" Sony 1.3M Progressive Scan CMOS
- High Resolution of 850 TV Lines
- 0.1Lux @ 30IRE, F2.0, 0.0Lux@IRED ON(B/W)
- WDR(Double Scan), 3D-DNR, Defog, HLC, OSD
- 32X Sense-up, D-Zoom
- Privacy Zones, Motion Detection
- 30 IREDS
- Water-proof (IP67)
- 3 Axis Gimbal Bracket
- f=2.8-12mm DC IRIS Varifocal Lens (ICR)

Outdoor Dome (Ø100)

Effio-E



VCVP-V722H

- Sony 1/3" 960H Super HAD CCD II
- High Resolution of 700 TV Lines
- 0.1Lux @ 30IRE, F2.0
- 2D-DNR, HLC, ATR, OSD
- Privacy Zones, Motion Detection
- Water-proof (IP68)
- 3 Axis Gimbal Bracket
- f=2.8-12mm DC IRIS Varifocal Lens

Refia-D



VCVP-V742H

- Sony 1/3" 960H Super HAD CCD II
- High Resolution of 700 TV Lines
- 0.05Lux @ 30IRE, F2.0 (SENS-UP x4)
- 3D-DNR, D-WDR, HSBLC,Defog, OSD
- 256X Sense-up, D-Zoom
- Privacy Zones, Motion Detection, UTC
- Water-proof (IP68)
- 3 Axis Gimbal Bracket
- f=2.8-12mm DC IRIS Varifocal Lens

Effio-P



VCVP-V752W

- Sony 1/3" 960H Super HAD CCD II
- High Resolution of 700 TV Lines
- 0.05Lux @ 30IRE, F2.0 (0.0005 Lux @ DSS x512)
- WDR(Double Scan), 3D-DNR, HLC, Defog, OSD
- 512X Sense-up, D-Zoom
- Privacy Zones, Motion Detection
- Water-proof (IP68)
- 3 Axis Gimbal Bracket
- f=2.8-12mm DC IRIS Varifocal Lens

Mega Analogue



VCVP-V8A2W

- 1/3" Sony 1.3M Progressive Scan CMOS
- High Resolution of 850 TV Lines
- 0.1Lux @ 30IRE, F2.0
- WDR(Double Scan), 3D-DNR, Defog, HLC, OSD
- 32X Sense-up, D-Zoom
- Privacy Zones, Motion Detection
- Water-proof (IP68)
- 3 Axis Gimbal Bracket
- f=2.8-12mm DC IRIS Varifocal Lens

ANALOGUE CAMERA

IR Outdoor Dome (Ø100)



Effio-E

VCCP-V720H-IR

- Sony 1/3" 960H Super HAD CCD II
- High Resolution of 700 TV Lines
- 0.1Lux @ 30IRE, F2.0, 0.0Lux@IRED ON(B/W)
- 2D-DNR, HLC, ATR, OSD
- Privacy Zones, Motion Detection
- 40 IREDS
- Water-proof (IP68)
- 3 Axis Gimbal Bracket
- f=2.8-12mm DC IRIS Varifocal Lens (ICR)



Refia-D

VCCP-V740H-IR

- Sony 1/3" 960H Super HAD CCD II
- High Resolution of 700 TV Lines
- 0.05Lux @ 30IRE, F2.0 (SENS-UP x4) 0.0Lux@IRED ON(B/W)
- 3D-DNR, D-WDR, HSBLC,Defog, OSD
- 256X Sense-up, D-Zoom
- Privacy Zones, Motion Detection, UTC
- 40 IREDS
- Water-proof (IP68)
- 3 Axis Gimbal Bracket
- f=2.8-12mm DC IRIS Varifocal Lens (ICR)



Effio-P

VCCP-V750W-IR

- Sony 1/3" 960H Super HAD CCD II
- High Resolution of 700 TV Lines
- 0.05Lux @ 30IRE, F2.0, 0.0Lux@IRED ON(B/W)
- WDR(Double Scan), 3D-DNR, Defog, HLC, OSD
- 512X Sense-up, D-Zoom
- Privacy Zones, Motion Detection
- 40 IREDS
- Water-proof (IP68)
- 3 Axis Gimbal Bracket
- f=2.8-12mm DC IRIS Varifocal Lens (ICR)



Mega Analogue

VCCP-V8A0W-IR

- 1/3" Sony Progressive Scan CMOS
- High Resolution of 850 TV Lines
- 0.1Lux @ 30IRE, F2.0, 0.0Lux@IRED ON(B/W)
- WDR(Double Scan), 3D-DNR, Defog, HLC, OSD
- 32X Sense-up, D-Zoom
- Privacy Zones, Motion Detection
- 40 IREDS
- Water-proof (IP68)
- 3 Axis Gimbal Bracket
- f=2.8-12mm DC IRIS Varifocal Lens (ICR)

IR Bullet (Ø54)



Effio-E

VCL-F824H-IR

- Sony 1/3" 960H HAD CCD II
- High Resolution of 700 TV Lines
- 0.1Lux @ 30IRE, F2.0, 0.0Lux@IRED ON(B/W)
- 2D-DNR, HLC, ATR, OSD
- Privacy Zones, Motion Detection
- 25 IREDS
- Weather-proof (IP66)
- f=3.6mm Fixed Lens



Refia-D

VCL-F844H-IR

- Sony 1/3" 960H Super HAD CCD II
- High Resolution of 700 TV Lines
- 0.05Lux @ 30IRE, F2.0 (SENS-UP x4) 0.0Lux@IRED ON(B/W)
- 3D-DNR, D-WDR, HSBLC,Defog, OSD
- 256X Sense-up, D-Zoom
- Privacy Zones, Motion Detection, UTC
- 25 IREDS
- Weather-proof (IP66)
- f=3.6mm Fixed Lens



Effio-V

VCL-F204W-IR

- 1/3" Sony 960H Super HAD CCD II
- High Resolution of 700 TV Lines
- 0.05Lux(Day), 0.0002Lux(DSS on)
- WDR(Double Scan), 3D-NR, DSS, UTC Supported
- Cable OSD key
- 25 IREDS
- Weather-proof (IP65)
- f=3.6mm Fixed Lens



Mega Analogue

VCL-F8A0W-IR

- 1/3" Sony 1.3M Progressive Scan CMOS
- High Resolution of 850 TV Lines
- 0.1Lux @ 30IRE, F2.0, 0.0Lux@IRED ON(B/W)
- WDR(Double Scan), 3D-DNR, Defog, HLC, OSD
- 32X Sense-up, D-Zoom
- Privacy Zones, Motion Detection
- 25 IREDS
- Weather-proof (IP66)
- f=3.6mm Fixed Lens

IR Bullet (Ø54)



Effio-E

VCL4-F824H-IR

- Sony 1/3" 960H HAD CCD II
- High Resolution of 700 TV Lines
- 0.1Lux @ 30IRE, F2.0, 0.0Lux@IRED ON(B/W)
- 2D-DNR, HLC, ATR, OSD
- Privacy Zones, Motion Detection
- 25 IREDS
- Weather-proof (IP66)
- Cable Concealed Bracket
- f=3.6mm Fixed Lens



Refia-D

VCL4-F844H-IR

- Sony 1/3" 960H Super HAD II
- High Resolution of 700 TV Lines
- 0.05Lux @ 30IRE, F2.0 (SENS-UP x4) 0.0Lux@IRED ON(B/W)
- 3D-DNR, D-WDR, HSBLC,Defog, OSD
- 256X Sense-up, D-Zoom
- Privacy Zones, Motion Detection, UTC
- 25 IREDS
- Weather-proof (IP66)
- Cable Concealed Bracket
- f=3.6mm Fixed Lens



Effio-V

VCL4-F204W-IR

- 1/3" Sony 960H Super HAD CCD II
- High Resolution of 700 TV Lines
- 0.05Lux(Day), 0.0002Lux(DSS on)
- WDR(Double Scan), 3D-NR, DSS, UTC Supported
- Cable OSD key
- 25 IREDS
- Weather-proof (IP65)
- Cable Concealed Bracket
- f=3.6mm Fixed Lens



Mega Analogue

VCL4-F8A0W-IR

- 1/3" Sony 1.3M Progressive Scan CMOS
- High Resolution of 850 TV Lines
- 0.1Lux @ 30IRE, F2.0, 0.0Lux@IRED ON(B/W)
- WDR(Double Scan), 3D-DNR, Defog, HLC, OSD
- 32X Sense-up, D-Zoom
- Privacy Zones, Motion Detection
- 25 IREDS
- Weather-proof (IP66)
- Cable Concealed Bracket
- f=3.6mm Fixed Lens

IR Bullet (Ø65)



Effio-E

VCL3-V720H-IR

- Sony 1/3" 960H Super HAD CCD II
- High Resolution of 700 TV Lines
- 0.1Lux @ 30IRE, F2.0, 0.0Lux@IRED ON(B/W)
- 2D-DNR, HLC, ATR, OSD
- Privacy Zones, Motion Detection
- 36 IREDS
- Weather-proof (IP66)
- Cable Concealed Bracket
- f=2.8-12mm DC IRIS Varifocal Lens (ICR)



Refia-D

VCL3-V740H-IR

- Sony 1/3" 960H Super HAD CCD II
- High Resolution of 700 TV Lines
- 0.05Lux @ 30IRE, F2.0 (SENS-UP x4) 0.0Lux@IRED ON(B/W)
- 3D-DNR, D-WDR, HSBLC,Defog, OSD
- 256X Sense-up, D-Zoom
- Privacy Zones, Motion Detection, UTC
- 36 IREDS
- Weather-proof (IP66)
- Cable Concealed Bracket
- f=2.8-12mm DC IRIS Varifocal Lens (ICR)



Effio-P

VCL3-V750W-IR

- Sony 1/3" 960H Super HAD CCD II
- High Resolution of 700 TV Lines
- 0.05Lux @ 30IRE, F2.0 0.0Lux.@IRED ON(B/W)
- WDR(Double Scan), 3D-DNR, Defog, HLC, OSD
- 512X Sense-up, D-Zoom
- Privacy Zones, Motion Detection
- 36 IREDS
- Weather-proof (IP66)
- Cable Concealed Bracket
- f=2.8-12mm DC IRIS Varifocal Lens (ICR)



Mega Analogue

VCL3-V8A0W-IR

- 1/3" Sony 1.3M Progressive Scan CMOS
- High Resolution of 850 TV Lines
- 0.1Lux @ 30IRE, F2.0, 0.0Lux@IRED ON(B/W)
- WDR(Double Scan), 3D-DNR, Defog, HLC, OSD
- 32X Sense-up, D-Zoom
- Privacy Zones, Motion Detection
- 36 IREDS
- Weather-proof (IP66)
- Cable Concealed Bracket
- f=2.8-12mm DC IRIS Varifocal Lens (ICR)

ANALOGUE CAMERA

IR Bullet (Ø75)

Effio-E



Refia-D



Effio-P



Mega Analogue



VCL2-V720H-IR

- Sony 1/3" 960H Super HAD CCD II
- High Resolution of 700 TV Lines
- 0.1Lux @ 30IRE, F2.0, 0.0Lux@IRED ON(B/W)
- 2D-DNR, HLC, ATR, OSD
- Privacy Zones, Motion Detection
- 42 IREDS
- Weather-proof (IP66)
- Cable Concealed Bracket
- f=2.8-12mm DC IRIS Varifocal Lens (ICR)

VCL2-V740H-IR

- Sony 1/3" 960H Super HAD CCD II
- High Resolution of 700 TV Lines
- 0.05Lux @ 30IRE, F2.0 (SENS-UP x4) 0.0Lux@IRED ON(B/W)
- 3D-DNR, D-WDR, HSBLC, Defog, OSD
- 256X Sense-up, D-Zoom
- Privacy Zones, Motion Detection, UTC
- 42 IREDS
- Weather-proof (IP66)
- Cable Concealed Bracket
- f=2.8-12mm DC IRIS Varifocal Lens (ICR)

VCL2-V750W-IR

- Sony 1/3" 960H Super HAD CCD II
- High Resolution of 700 TV Lines
- 0.05Lux @ 30IRE, F2.0 0.0Lux@IRED ON(B/W)
- WDR(Double Scan), 3D-DNR, Defog, HLC, OSD
- 512X Sense-up, D-Zoom
- Privacy Zones, Motion Detection
- 42 IREDS
- Weather-proof (IP66)
- Cable Concealed Bracket
- f=2.8-12mm DC IRIS Varifocal Lens (ICR)

VCL2-V8A0W-IR

- 1/3" Sony 1.3M Progressive Scan CMOS
- High Resolution of 850 TV Lines
- 0.1Lux @ 30IRE, F2.0, 0.0Lux@IRED ON(B/W)
- WDR(Double Scan), 3D-DNR, Defog, HLC, OSD
- 32X Sense-up, D-Zoom
- Privacy Zones, Motion Detection
- 42 IREDS
- Weather-proof (IP66)
- Cable Concealed Bracket
- f=2.8-12mm DC IRIS Varifocal Lens (ICR)

IR Bullet (Ø80)

Effio-E



Refia-D



Effio-P



Mega Analogue



VCN-V720H-IR

- Sony 1/3" 960H Super HAD CCD II
- High Resolution of 700 TV Lines
- 0.1Lux @ 30IRE, F2.0, 0.0Lux@IRED ON(B/W)
- 2D-DNR, HLC, ATR, OSD
- Privacy Zones, Motion Detection
- 44 IREDS
- Weather-proof (IP65)
- Cable Concealed Bracket
- f=2.8-12mm DC IRIS Varifocal Lens (ICR)

VCN-V740H-IR

- Sony 1/3" 960H Super HAD CCD II
- High Resolution of 700 TV Lines
- 0.05Lux @ 30IRE, F2.0 (SENS-UP x4) 0.0Lux@IRED ON(B/W)
- 3D-DNR, D-WDR, HSBLC, Defog, OSD
- 256X Sense-up, D-Zoom
- Privacy Zones, Motion Detection, UTC
- 44 IREDS
- Weather-proof (IP65)
- Cable Concealed Bracket
- f=2.8-12mm DC IRIS Varifocal Lens (ICR)

VCN-V750W-IR

- Sony 1/3" 960H Super HAD CCD II
- High Resolution of 700 TV Lines
- 0.05Lux @ 30IRE, F2.0 0.0Lux@IRED ON(B/W)
- WDR(Double Scan), 3D-DNR, Defog, HLC, OSD
- 512X Sense-up, D-Zoom
- Privacy Zones, Motion Detection
- 44 IREDS
- Weather-proof (IP65)
- Cable Concealed Bracket
- f=2.8-12mm DC IRIS Varifocal Lens (ICR)

VCN-V8A0W-IR

- 1/3" Sony 1.3M Progressive Scan CMOS
- High Resolution of 850 TV Lines
- 0.1Lux @ 30IRE, F2.0, 0.0Lux@IRED ON(B/W)
- WDR(Double Scan), 3D-DNR, Defog, HLC, OSD
- 32X Sense-up, D-Zoom
- Privacy Zones, Motion Detection
- 44 IREDS
- Weather-proof (IP65)
- Cable Concealed Bracket
- f=2.8-12mm DC IRIS Varifocal Lens (ICR)

IR Bullet (Ø80)

Effio-E



Refia-D



Effio-P



Mega Analogue



VCN-V720H-SR

- Sony 1/3" 960H Super HAD CCD II
- High Resolution of 700 TV Lines
- 0.1Lux @ 30IRE, F2.0, 0.0Lux@IRED ON(B/W)
- 2D-DNR, HLC, ATR, OSD
- Privacy Zones, Motion Detection
- 10 PWR IREDS
- Weather-proof (IP65)
- Cable Concealed Bracket
- f=9-22mm DC IRIS Varifocal Lens (ICR)

VCN-V740H-SR

- Sony 1/3" 960H Super HAD CCD II
- High Resolution of 700 TV Lines
- 0.05Lux @ 30IRE, F2.0 (SENS-UP x4) 0.0Lux@IRED ON(B/W)
- 3D-DNR, D-WDR, HSBLC, Defog, OSD
- 256X Sense-up, D-Zoom
- Privacy Zones, Motion Detection, UTC
- 10 PWR IREDS
- Weather-proof (IP65)
- Cable Concealed Bracket
- f=9-22mm DC IRIS Varifocal Lens (ICR)

VCN-V750W-SR

- Sony 1/3" 960H Super HAD CCD II
- High Resolution of 700 TV Lines
- 0.05Lux @ 30IRE, F2.0 0.0Lux@IRED ON(B/W)
- WDR(Double Scan), 3D-DNR, Defog, HLC, OSD
- 512X Sense-up, D-Zoom
- Privacy Zones, Motion Detection
- 10 PWR IREDS
- Weather-proof (IP65)
- Cable Concealed Bracket
- f=9-22mm DC IRIS Varifocal Lens (ICR)

VCN-V8A0W-SR

- 1/3" Sony 1.3M Progressive Scan CMOS
- High Resolution of 850 TV Lines
- 0.1Lux @ 30IRE, F2.0, 0.0Lux@IRED ON(B/W)
- WDR(Double Scan), 3D-DNR, Defog, HLC, OSD
- 32X Sense-up, D-Zoom
- Privacy Zones, Motion Detection
- 10 PWR IREDS
- Weather-proof (IP65)
- Cable Concealed Bracket
- f=9-22mm DC IRIS Varifocal Lens (ICR)

IR Bullet (Ø70)

Effio-E



Refia-D



Effio-P



Mega Analogue



VCN2-V720H-IR

- Sony 1/3" 960H Super HAD CCD II
- High Resolution of 700 TV Lines
- 0.1Lux @ 30IRE, F2.0, 0.0Lux@IRED ON(B/W)
- 2D-DNR, HLC, ATR, OSD
- Privacy Zones, Motion Detection
- 36 IREDS
- Water-proof (IP67)
- Cable Concealed Bracket
- f=2.8-12mm DC IRIS Varifocal Lens (ICR)

VCN2-V740H-IR

- Sony 1/3" 960H Super HAD CCD II
- High Resolution of 700 TV Lines
- 0.05Lux @ 30IRE, F2.0 (SENS-UP x4) 0.0Lux@IRED ON(B/W)
- 3D-DNR, D-WDR, HSBLC, Defog, OSD
- 256X Sense-up, D-Zoom
- Privacy Zones, Motion Detection, UTC
- 36 IREDS
- Water-proof (IP67)
- Cable Concealed Bracket
- f=2.8-12mm DC IRIS Varifocal Lens (ICR)

VCN2-V750W-IR

- Sony 1/3" 960H Super HAD CCD II
- High Resolution of 700 TV Lines
- 0.05Lux @ 30IRE, F2.0 0.0Lux@IRED ON(B/W)
- WDR(Double Scan), 3D-DNR, Defog, HLC, OSD
- 512X Sense-up, D-Zoom
- Privacy Zones, Motion Detection
- 36 IREDS
- Water-proof (IP67)
- Cable Concealed Bracket
- f=2.8-12mm DC IRIS Varifocal Lens (ICR)

VCN2-V8A0W-IR

- 1/3" Sony 1.3M Progressive Scan CMOS
- High Resolution of 850 TV Lines
- 0.1Lux @ 30IRE, F2.0, 0.0Lux@IRED ON(B/W)
- WDR(Double Scan), 3D-DNR, Defog, HLC, OSD
- 32X Sense-up, D-Zoom
- Privacy Zones, Motion Detection
- 36 IREDS
- Water-proof (IP67)
- Cable Concealed Bracket
- f=2.8-12mm DC IRIS Varifocal Lens (ICR)

ANALOGUE CAMERA

IR Bullet (Ø70)



Effio-E

VCN2-V720H-SIR

- Sony 1/3" 960H Super HAD CCD II
- High Resolution of 700 TV Lines
- 0.1Lux @ 30IRE, F2.0, 0.0Lux@IRED ON(B/W)
- 2D-DNR, HLC, ATR, OSD
- Privacy Zones, Motion Detection
- 5 PWR IREDS + 25 IREDS
- Water-proof (IP67)
- Cable Concealed Bracket
- f=5-50mm DC IRIS Varifocal Lens (ICR)



Refia-D

VCN2-V740H-SIR

- Sony 1/3" 960H Super HAD CCD II
- High Resolution of 700 TV Lines
- 0.05Lux @ 30IRE, F2.0 (SENS-UP x4) 0.0Lux@IRED ON(B/W)
- 3D-DNR, D-WDR, HSBLC,Defog, OSD
- 256X Sense-up, D-Zoom
- Privacy Zones, Motion Detection, UTC
- 5 PWR IREDS + 25 IREDS
- Water-proof (IP67)
- Cable Concealed Bracket
- f=5-50mm DC IRIS Varifocal Lens (ICR)



Effio-P

VCN2-V750W-SIR

- Sony 1/3" 960H Super HAD CCD II
- High Resolution of 700 TV Lines
- 0.05Lux @ 30IRE, F2.0 0.0Lux@IRED ON(B/W)
- WDR(Double Scan), 3D-DNR, Defog, HLC, OSD
- 512X Sense-up, D-Zoom
- Privacy Zones, Motion Detection
- 5 PWR IREDS + 25 IREDS
- Water-proof (IP67)
- Cable Concealed Bracket
- f=5-50mm DC IRIS Varifocal Lens (ICR)



Mega Analogue

VCN2-V8A0W-SIR

- 1/3" Sony 1.3M Progressive Scan CMOS
- High Resolution of 850 TV Lines
- 0.1Lux @ 30IRE, F2.0, 0.0Lux@IRED ON(B/W)
- WDR(Double Scan), 3D-DNR, Defog, HLC, OSD
- 32X Sense-up, D-Zoom
- Privacy Zones, Motion Detection
- 5 PWR IREDS + 25 IREDS
- Water-proof (IP67)
- Cable Concealed Bracket
- f=5-50mm DC IRIS Varifocal Lens (ICR)

IR Bullet (Ø90)



Effio-E

VCNP-V720H-IR

- Sony 1/3" 960H Super HAD CCD II
- High Resolution of 700 TV Lines
- 0.1Lux @ 30IRE, F2.0, 0.0Lux@IRED ON(B/W)
- 2D-DNR, HLC, ATR, OSD
- Privacy Zones, Motion Detection
- 70 IREDS
- Water-proof (IP68)
- Cable Concealed Bracket
- f=3.5-16mm DC IRIS Varifocal Lens (ICR)



Refia-D

VCNP-V740H-IR

- Sony 1/3" 960H Super HAD CCD II
- High Resolution of 700 TV Lines
- 0.05Lux @ 30IRE, F2.0 (SENS-UP x4) 0.0Lux@IRED ON(B/W)
- 3D-DNR, D-WDR, HSBLC,Defog, OSD
- 256X Sense-up, D-Zoom
- Privacy Zones, Motion Detection, UTC
- 70 IREDS
- Water-proof (IP68)
- Cable Concealed Bracket
- f=3.5-16mm DC IRIS Varifocal Lens (ICR)



Effio-P

VCNP-V750W-IR

- Sony 1/3" 960H Super HAD CCD II
- High Resolution of 700 TV Lines
- 0.05Lux @ 30IRE, F2.0 0.0Lux@IRED ON(B/W)
- WDR(Double Scan), 3D-DNR, Defog, HLC, OSD
- 512X Sense-up, D-Zoom
- Privacy Zones, Motion Detection
- 70 IREDS
- Water-proof (IP68)
- Cable Concealed Bracket
- f=3.5-16mm DC IRIS Varifocal Lens (ICR)



Mega Analogue

VCNP-V8A0W-IR

- 1/3" Sony 1.3M Progressive Scan CMOS
- High Resolution of 850 TV Lines
- 0.1Lux @ 30IRE, F2.0, 0.0Lux@IRED ON(B/W)
- WDR(Double Scan), 3D-DNR, Defog, HLC, OSD
- 32X Sense-up, D-Zoom
- Privacy Zones, Motion Detection
- 70 IREDS
- Water-proof (IP68)
- Cable Concealed Bracket
- f=3.5-16mm DC IRIS Varifocal Lens (ICR)

IR Bullet (Ø90)



Effio-E

VCNP-V720H-SIR

- Sony 1/3" 960H Super HAD CCD II
- High Resolution of 700 TV Lines
- 0.1Lux @ 30IRE, F2.0, 0.0Lux@IRED ON(B/W)
- 2D-DNR, HLC, ATR, OSD
- Privacy Zones, Motion Detection
- 10 PWR IREDS + 30 IREDS
- Water-proof (IP68)
- Cable Concealed Bracket
- f=6-50mm DC IRIS Varifocal Lens (ICR)



Refia-D

VCNP-V740H-SIR

- Sony 1/3" 960H Super HAD CCD II
- High Resolution of 700 TV Lines
- 0.05Lux @ 30IRE, F2.0 (SENS-UP x4) 0.0Lux@IRED ON(B/W)
- 3D-DNR, D-WDR, HSBLC,Defog, OSD
- 256X Sense-up, D-Zoom
- Privacy Zones, Motion Detection, UTC
- 10 PWR IREDS + 30 IREDS
- Water-proof (IP68)
- Cable Concealed Bracket
- f=6-50mm DC IRIS Varifocal Lens (ICR)



Effio-P

VCNP-V750W-SIR

- Sony 1/3" 960H Super HAD CCD II
- High Resolution of 700 TV Lines
- 0.05Lux @ 30IRE, F2.0 0.0Lux@IRED ON(B/W)
- WDR(Double Scan) 3D-DNR, HLC, Defog, OSD
- 512X Sense-up, D-Zoom
- Privacy Zones, Motion Detection
- 10 PWR IREDS + 30 IREDS
- Water-proof (IP68)
- Cable Concealed Bracket
- f=6-50mm DC IRIS Varifocal Lens (ICR)



Mega Analogue

VCNP-V8A0W-SIR

- 1/3" Sony 1.3M Progressive Scan CMOS
- High Resolution of 850 TV Lines
- 0.1Lux @ 30IRE, F2.0, 0.0Lux@IRED ON(B/W)
- WDR(Double Scan), 3D-DNR, Defog, HLC, OSD
- 32X Sense-up, D-Zoom
- Privacy Zones, Motion Detection
- 10 PWR IREDS + 30 IREDS
- Water-proof (IP68)
- Cable Concealed Bracket
- f=6-50mm DC IRIS Varifocal Lens (ICR)

Box



Effio-E

VCS-E722H

- Sony 1/3" 960H Super HAD CCD II
- High Resolution of 700 TV Lines
- 0.1Lux @ 30IRE, F2.0,
- 2D-DNR, HLC, ATR, OSD
- Privacy Zones, Motion Detection
- C/CS Mount Lens
- Option : AC 24V



Refia-D

VCS-E742H

- Sony 1/3" 960H Super HAD CCD II
- High Resolution of 700 TV Lines
- 0.05Lux @ 30IRE, F2.0 (SENS-UP x4)
- 3D-DNR, D-WDR, HSBLC,Defog, OSD
- 256X Sense-up, D-Zoom
- Privacy Zones, Motion Detection, UTC
- C/CS Mount Lens
- Option : AC 24V



Effio-P

VCS-E752W

- Sony 1/3" 960H Super HAD CCD II
- High Resolution of 700 TV Lines
- 0.05Lux @ 30IRE, F2.0 (0.0005 Lux @ DSS x512)
- WDR(Double Scan), 3D-DNR, Defog, HLC, OSD
- 512X Sense-up, D-Zoom
- Privacy Zones, Motion Detection
- C/CS Mount Lens
- Option : AC 24V



Effio-V

VCS-E202W

- 1/3" Sony 960H Super HAD CCD II
- High Resolution of 700 TV Lines
- 0.05Lux(Day), 0.0002Lux(DSS on)
- WDR(Double Scan), 3D-NR, DSS, UTC Supported
- Built-in OSD key
- C/CS Mount Lens
- Option : AC 24V

Box

Effio-E



VCS2-E720H

- Sony 1/3" 960H Super HAD CCD II
- High Resolution of 700 TV Lines
- 0.1Lux @ 30IRE, F2.0
- 2D-DNR, HLC, ATR, OSD
- Privacy Zones, Motion Detection
- True Day & Night ICR Mechanism
- C/CS Mount Lens
- Option : AC 24V

Refia-D



VCS2-E740H

- Sony 1/3" 960H Super HAD CCD II
- High Resolution of 700 TV Lines
- 0.05Lux @ 30IRE, F2.0 (SENS-UP x4)
- 3D-DNR, D-WDR, HSBLCL, Defog, OSD
- 256X Sense-up, D-Zoom
- Privacy Zones, Motion Detection, UTC
- True Day & Night ICR Mechanism
- C/CS Mount Lens
- Option : AC 24V

Effio-P



VCS2-E750W

- Sony 1/3" 960H Super HAD CCD II
- High Resolution of 700 TV Lines
- 0.05Lux @ 30IRE, F2.0 (0.0005 Lux @ DSS x512)
- WDR(Double Scan), 3D-DNR, Defog, HLC, OSD
- 512X Sense-up, D-Zoom
- Privacy Zones, Motion Detection
- True Day & Night ICR Mechanism
- C/CS Mount Lens
- Option : AC 24V

Mega Analogue



VCS2-E8A0W

- 1/3" Sony 1.3M Progressive Scan CMOS
- High Resolution of 850 TV Lines
- 0.1Lux @ 30IRE, F2.0
- WDR(Double Scan), 3D-DNR, Defog, HLC, OSD
- 32X Sense-up, D-Zoom
- Privacy Zones, Motion Detection
- True Day & Night ICR Mechanism
- C/CS Mount Lens
- Option : AC 24V

Zoom Box



VCZ-X360W

- Sony 1/4" EXview HAD CCD
- High-Resolution of 550 TV Lines
- X360 Zoom (Optical X36 / Digital X10)
- 0.00002Lux / F1.6 (DSS MAX)
- True Day & Night ICR Mechanism
- WDR(Double Scan), Flickerless, External Control
- Privacy Masking, Motion Detection
- Multi-Language OSD

Speed Dome



VCO-PTZ27/33/37

- 1/4" Interline Transfer CCD
- High-Resolution of 600 TV Lines(Color) 700 TV Lines(B/W)
- X432 Zoom Control (Optical X27, Digital X16)
- X528 Zoom Control (Optical X33, Digital X16)
- X592 Zoom Control (Optical X37, Digital X16)
- 0.2 Lux (Color) / 0.02 Lux (B/W) / 50 IRE, F1.6
- True Day & Night with ICR
- Privacy Masking, SSNR, Multi-Language OSD
- Built-in Sensor In/Out : 3 In / 1 Out
- Weatherproof with Built-in Fan & Heater
- Water-proof (IP67)



VCO-PTZ28/33/37-IR

- Sony 1/4" Super HAD CCDII
- High-Resolution of 700 TV Lines (Color) 750 TV Lines (B/W) @ HR 7 Mode
- X896 Zoom Control (Optical X28, Digital X32)
- X1056 Zoom Control (Optical X33, Digital X32)
- X1152 Zoom Control (Optical X36, Digital X32)
- 0.5Lux / 0Lux@IRED ON(B/W)
- True Day & Night ICR Mechanism
- WDR(Double Scan), HLC, Flickerless, Privacy Mark
- Built-in Sensor In/Out : 2 In / 1 Out
- Intelligent IR LED Control
- Weather-proof (IP66)



VCO-PTZ30

- Sony 1/4" Super HAD CCD
- High-Resolution of 700 TV Lines
- 0.2 Lux/0.001 Lux/DSS@30IRE
- X360 Zoom Control (Optical X30, Digital X10)
- True Day & Night ICR Mechanism
- WDR(Double Scan), 3D-DNR, Multi-Language OSD
- Built-in Sensor In/Out : 4 In / 1 Out
- Water-proof (IP67)

NEW 960H ANALOGUE SERIES

Indoor Dome (Ø80)



VCD2-F122H

- 1/3" Interline transfer type color CCD (960H)
- High Resolution of 700 TV Lines
- 0.2Lux
- 2D-DNR, D-WDR, Defog, UTC
- Privacy Zones, Motion Detection
- 3 Axis Gimbal Bracket
- f=3.6mm Fixed Lens
- Option : Cable OSD Key

IR Indoor Dome (Ø80)



VCD2-F124H-IR

- 1/3" Interline transfer type color CCD (960H)
- High Resolution of 700 TV Lines
- 0.2Lux, 0.0Lux@IRED ON
- 2D-DNR, D-WDR, Defog, UTC
- Privacy Zones, Motion Detection
- 24 IREDS
- 3 Axis Gimbal Bracket
- f=3.6mm Fixed Lens
- Option : Cable OSD Key

IR Bullet (Ø54)



VCL-F124H-IR

- 1/3" Interline transfer type color CCD (960H)
- High Resolution of 700 TV Lines
- 0.2Lux, 0.0Lux@IRED ON
- 2D-DNR, D-WDR, Defog, UTC
- Privacy Zones, Motion Detection
- 24 IREDS
- Weather-proof (IP66)
- f=3.6mm Fixed Lens
- Option : Cable OSD Key



VCL4-F124H-IR

- 1/3" Interline transfer type color CCD (960H)
- High Resolution of 700 TV Lines
- 0.2Lux, 0.0Lux@IRED ON
- 2D-DNR, D-WDR, Defog, UTC
- Privacy Zones, Motion Detection
- 24 IREDS
- Weather-proof (IP66)
- Cable Concealed Bracket
- f=3.6mm Fixed Lens
- Option : Cable OSD Key

IR Outdoor Dome (Ø57)



VCV8-F124H-IR

- 1/3" Interline transfer type color CCD (960H)
- High Resolution of 700 TV Lines
- 0.2Lux, 0.0Lux@IRED ON
- 2D-DNR, D-WDR, Defog, UTC
- Privacy Zones, Motion Detection
- 10 IREDS
- Weather-proof (IP66)
- 3 Axis Gimbal Bracket
- f=3.6mm Fixed Lens
- Option : Cable OSD Key



VCV7-F124H-IR

- 1/3" Interline transfer type color CCD (960H)
- High Resolution of 700 TV Lines
- 0.2Lux, 0.0Lux@IRED ON
- 2D-DNR, D-WDR, Defog, UTC
- Privacy Zones, Motion Detection
- 10 IREDS
- Water-proof (IP67)
- 3 Axis Gimbal Bracket
- f=3.6mm Fixed Lens
- Option : Cable OSD Key



VCE-F124H-IR

- 1/3" Interline transfer type color CCD (960H)
- High Resolution of 700 TV Lines
- 0.2Lux, 0.0Lux@IRED ON
- 2D-DNR, D-WDR, Defog, UTC
- Privacy Zones, Motion Detection
- 24 IREDS
- Weather-proof (IP66)
- 3 Axis Gimbal Bracket
- f=3.6mm Fixed Lens
- Option : Cable OSD Key

MINIATURE CAMERA

Mini Bullet (Ø19) **Effio-E**



- VCL-F422H**
- Sony 1/3" 960H Super HAD CCD II
 - High Resolution of 700 TV Lines
 - 0.1Lux @ 30IRE, F2.0
 - 2D-DNR, HLC, ATR, OSD
 - Privacy Zones, Motion Detection
 - f=3.6mm Fixed Lens
 - Optional Model : VCL-F425H (DC 5V)
 - Option : Cable OSD Key



- VCL-F422H-WX**
- Sony 1/3" 960H Super HAD CCD II
 - High Resolution of 700 TV Lines
 - 0.1Lux @ 30IRE, F2.0
 - 2D-DNR, HLC, ATR, OSD
 - Privacy Zones, Motion Detection
 - Water-proof (IP67)
 - f=3.6mm Fixed Lens
 - Optional Model : VCL-F425H-WX (DC 5V)
 - Option : Cable OSD Key



- VCL-P422H**
- Sony 1/3" 960H Super HAD CCD II
 - High Resolution of 700 TV Lines
 - 0.1Lux @ 30IRE, F2.0
 - 2D-DNR, HLC, ATR, OSD
 - Privacy Zones, Motion Detection
 - Pinhole Lens (P1, P3, P4)
 - Optional Model : VCL-P425H (DC 5V)
 - Option : Cable OSD Key



- VCL-F422H-DV**
- Sony 1/3" 960H Super HAD CCD II
 - High Resolution of 700 TV Lines
 - 0.1Lux @ 30IRE, F2.0
 - 2D-DNR, HLC, ATR, OSD
 - Privacy Zones, Motion Detection
 - f=1.78mm Fixed Lens
 - Optional Model : VCL-F425H-DV (DC 5V)
 - Option : Cable OSD Key



- VCL-V422H2-CO**
- Sony 1/3" 960H Super HAD CCD II
 - High Resolution of 700 TV Lines
 - 0.1Lux @ 30IRE, F2.0
 - 2D-DNR, HLC, ATR, OSD
 - Privacy Zones, Motion Detection
 - Water-proof (IP67)
 - Cable Concealed Bracket
 - f=4-9/ 3.5-16mm Varifocal Lens
 - Option : Cable OSD Key

Mini Bullet (Ø19) **Refra-D**



- VCL-F442H**
- Sony 1/3" 960H Super HAD CCD II
 - High Resolution of 700 TV Lines
 - 0.05Lux @ 30IRE, F2.0 (SENS-UP x4)
 - 3D-DNR, D-WDR, HSBLCL, Defog, OSD
 - 256X Sense-up, D-Zoom
 - Privacy Zones, Motion Detection
 - f=3.6mm Fixed Lens
 - Option : Cable OSD Key



- VCL-F442H-WX**
- Sony 1/3" 960H Super HAD CCD II
 - High Resolution of 700 TV Lines
 - 0.05Lux @ 30IRE, F2.0 (SENS-UP x4)
 - 3D-DNR, D-WDR, HSBLCL, Defog, OSD
 - 256X Sense-up, D-Zoom
 - Privacy Zones, Motion Detection
 - Water-proof (IP67)
 - f=3.6mm Fixed Lens
 - Option : Cable OSD Key



- VCL-P442H**
- Sony 1/3" 960H Super HAD CCD II
 - High Resolution of 700 TV Lines
 - 0.05Lux @ 30IRE, F2.0 (SENS-UP x4)
 - 3D-DNR, D-WDR, HSBLCL, Defog, OSD
 - 256X Sense-up, D-Zoom
 - Privacy Zones, Motion Detection
 - Pinhole Lens (P1, P3, P4)
 - Option : Cable OSD Key



- VCL-F442H-DV**
- Sony 1/3" 960H Super HAD CCD II
 - High Resolution of 700 TV Lines
 - 0.05Lux @ 30IRE, F2.0 (SENS-UP x4)
 - 3D-DNR, D-WDR, HSBLCL, Defog, OSD
 - 256X Sense-up, D-Zoom
 - Privacy Zones, Motion Detection
 - f=1.78mm Fixed Lens
 - Option : Cable OSD Key



- VCL-V442H2-CO**
- Sony 1/3" 960H Super HAD CCD II
 - High Resolution of 700 TV Lines
 - 0.05Lux @ 30IRE, F2.0 (SENS-UP x4)
 - 3D-DNR, D-WDR, HSBLCL, Defog, OSD
 - 256X Sense-up, D-Zoom
 - Privacy Zones, Motion Detection
 - Water-proof (IP67)
 - Cable Concealed Bracket
 - f=4-9/ 3.5-16mm Varifocal Lens
 - Option : Cable OSD Key

Mini Bullet (Ø19) **Mega Analogue**



- VCL-F4A2W**
- 1/3" Sony 1.3M Progressive Scan CMOS
 - High Resolution of 850 TV Lines
 - 0.1Lux @ 30IRE, F2.0
 - WDR(Double Scan), 3D-DNR, Defog, HLC, OSD
 - 32X Sense-up, D-Zoom
 - Privacy Zones, Motion Detection
 - f=3.6mm Fixed Lens
 - Option : Cable OSD Key



- VCL-F4A2W-WX**
- 1/3" Sony 1.3M Progressive Scan CMOS
 - High Resolution of 850 TV Lines
 - 0.1Lux @ 30IRE, F2.0
 - WDR(Double Scan), 3D-DNR, Defog, HLC, OSD
 - 32X Sense-up, D-Zoom
 - Privacy Zones, Motion Detection
 - Water-proof (IP67)
 - f=3.6mm Fixed Lens
 - Option : Cable OSD Key



- VCL-P4A2W**
- 1/3" Sony 1.3M Progressive Scan CMOS
 - High Resolution of 850 TV Lines
 - 0.1Lux @ 30IRE, F2.0
 - WDR(Double Scan), 3D-DNR, Defog, HLC, OSD
 - 32X Sense-up, D-Zoom
 - Privacy Zones, Motion Detection
 - Pinhole Lens (P3, P4)
 - Option : Cable OSD Key



- VCL-F4A2W-DV**
- 1/3" Sony 1.3M Progressive Scan CMOS
 - High Resolution of 850 TV Lines
 - 0.1Lux @ 30IRE, F2.0
 - WDR(Double Scan), 3D-DNR, Defog, HLC, OSD
 - 32X Sense-up, D-Zoom
 - Privacy Zones, Motion Detection
 - f=1.78mm Fixed Lens
 - Option : Cable OSD Key



- VCL-V4A2W2-CO**
- 1/3" Sony 1.3M Progressive Scan CMOS
 - High Resolution of 850 TV Lines
 - 0.1Lux @ 30IRE, F2.0
 - WDR(Double Scan), 3D-DNR, Defog, HLC, OSD
 - 32X Sense-up, D-Zoom
 - Privacy Zones, Motion Detection
 - Water-proof (IP67)
 - Cable Concealed Bracket
 - f=4-9/ 3.5-16mm Varifocal Lens
 - Option : Cable OSD Key

Mini Bullet (Ø19) **Effio-E**



- VCL-F230U-WX**
- Sony 1/3" 960H EXview HAD CCD II
 - High Resolution of 700 TVL
 - 0.1 Lux
 - 2DNR, HLC, ATR
 - Built in OSD Joystick
 - Privacy Masking , Motion Detection
 - Water-proof (IP67)
 - f=3.6mm Fixed Lens



- VCQ2-F222H**
- Sony 1/3" 960H Super HAD CCD II
 - High Resolution of 700 TV Lines
 - 0.1Lux @ 30IRE, F2.0
 - 2D-DNR, HLC, ATR, OSD
 - Privacy Zones, Motion Detection
 - f=3.6mm Fixed Lens
 - Optional Model : VCQ2-F225H (DC 5V)
 - Option : Cable OSD Key



- VCQ2-P222H**
- Sony 1/3" 960H Super HAD CCD II
 - High Resolution of 700 TV Lines
 - 0.1Lux @ 30IRE, F2.0
 - 2D-DNR, HLC, ATR, OSD
 - Privacy Zones, Motion Detection
 - Pinhole Lens (P1, P3, P4)
 - Optional Model : VCQ2-P225H (DC 5V)
 - Option : Cable OSD Key



- VCQ2-F242H**
- Sony 1/3" 960H Super HAD CCD II
 - High Resolution of 700 TV Lines
 - 0.05Lux @ 30IRE, F2.0 (SENS-UP x4)
 - 3D-DNR, D-WDR, HSBLCL, Defog, OSD
 - 256X Sense-up, D-Zoom
 - Privacy Zones, Motion Detection
 - f=3.6mm Fixed Lens
 - Option : Cable OSD Key



- VCQ2-P242H**
- Sony 1/3" 960H Super HAD CCD II
 - High Resolution of 700 TV Lines
 - 0.3Lux @ 30IRE, F2.0 (SENS-UP x4)
 - 3D-DNR, D-WDR, HSBLCL, Defog, OSD
 - 256X Sense-up, D-Zoom
 - Privacy Zones, Motion Detection
 - Pinhole Lens (P1, P3, P4)
 - Option : Cable OSD Key

Mini Square (30x 30) **Effio-E**



- VCQ-F322H**
- Sony 1/3" 960H Super HAD CCD II
 - High Resolution of 700 TV Lines
 - 0.1Lux @ 30IRE, F2.0
 - 2D-DNR, HLC, ATR, OSD
 - Built in OSD Joystick
 - Privacy Zones, Motion Detection
 - f=3.6mm Fixed Lens
 - Option : Audio



- VCQ-P322H**
- Sony 1/3" 960H Super HAD CCD II
 - High Resolution of 700 TV Lines
 - 0.1Lux @ 30IRE, F2.0
 - 2D-DNR, HLC, ATR, OSD
 - Built in OSD Joystick
 - Privacy Zones, Motion Detection
 - Pinhole Lens (P1, P3, P4)
 - Option : Audio



- VCQ-V322H**
- Sony 1/3" 960H Super HAD CCD II
 - High Resolution of 700 TV Lines
 - 0.1Lux @ 30IRE, F2.0
 - 2D-DNR, HLC, ATR, OSD
 - Built in OSD Joystick
 - Privacy Zones, Motion Detection
 - f=2.8-12mm Varifocal Lens
 - Option : Audio



- VCQ-F352W**
- Sony 1/3" 960H Super HAD CCD II
 - High Resolution of 700 TV Lines
 - 0.3Lux @ 30IRE
 - F2.0 (0.0005 Lux @ DSS x512)
 - WDR(Double Scan), 3D-DNR, Defog
 - HLC, Built in OSD Joystick
 - 512X Sense-up, D-Zoom
 - Privacy Zones, Motion Detection
 - f=3.6mm Fixed Lens



- VCQ-P352W**
- Sony 1/3" 960H Super HAD CCD II
 - High Resolution of 700 TV Lines
 - 0.3Lux @ 30IRE
 - F2.0 (0.0005 Lux @ DSS x512)
 - WDR(Double Scan), 3D-DNR, Defog
 - HLC, Built in OSD Joystick
 - 512X Sense-up, D-Zoom
 - Privacy Zones, Motion Detection
 - Pinhole Lens (P1, P3, P4)

MINIATURE & Module CAMERA

MINI Square (30x 30)

Effio-P



VCQ-V352W

- Sony 1/3" 960H Super HAD CCD II
- High Resolution of 700 TV Lines
- 0.3Lux @ 30IRE
- F2.0 (0.0005 Lux @ DSS x512)
- WDR(Double Scan), 3D-DNR, Defog
- HLC, Built in OSD with Joystick
- 512X Sense-up, D-Zoom
- Privacy Zones, Motion Detection
- f=2.8-12mm Varifocal Lens

Mega Analogue



VCQ-F3A2W

- 1/3" Sony 1.3M Progressive Scan CMOS
- High Resolution of 850 TV Lines
- 0.1Lux @ 30IRE, F2.0
- WDR(Double Scan), 3D-DNR, Defog
- HLC, Built in OSD with Joystick
- 32X Sense-up, D-Zoom
- Privacy Zones, Motion Detection
- f=3.6mm Fixed Lens

Mega Analogue



VCQ-P3A2W

- 1/3" Sony 1.3M Progressive Scan CMOS
- High Resolution of 850 TV Lines
- 0.1Lux @ 30IRE, F2.0
- WDR(Double Scan), 3D-DNR, Defog
- HLC, Built in OSD with Joystick
- 32X Sense-up, D-Zoom
- Privacy Zones, Motion Detection
- Pinhole Lens (P3, P4)

Mega Analogue



VCQ-V3A2W

- 1/3" Sony 1.3M Progressive Scan CMOS
- High Resolution of 850 TV Lines
- 0.1Lux @ 30IRE, F2.0
- WDR(Double Scan), 3D-DNR, Defog
- HLC, Built in OSD with Joystick
- 32X Sense-up, D-Zoom
- Privacy Zones, Motion Detection
- f=2.8-12mm Varifocal Lens

MODULE

2MP



VCB-610DM

- 1/3" Panasonic 2.2M Progressive Scan SMPTE274M
- (1080p30/25, 720p60/50, 720p30/25)
- HD-SDI (1.485G)
- WDR(Double Scan), 2D/3D-DNR, ACE
- HLM, D-Zoom, Sens-up
- Privacy Zones, Motion Detection
- 42(W) x 42(H)mm
- Option : 32(W)x32(H)mm (VCB-910DM)

Mega Analogue



VCB-8A0W

- 1/3" Sony 1.3M Progressive Scan CMOS
- High Resolution of 850 TV Lines
- WDR(Double Scan)
- 3D-DNR, Defog, HLC, OSD
- 32X Sense-up, D-Zoom
- Privacy Zones, Motion Detection
- 32(W) x 32(H)mm

Effio-P



VCB-750W

- Sony 1/3" 960H Super HAD CCD II
- High Resolution of 700 TV Lines
- WDR(Double Scan)
- 3D-DNR, Defog, HLC, OSD
- 512X Sense-up, D-Zoom
- Privacy Zones, Motion Detection
- 38(W) x 38(H)mm

Refia-D



VCB-740H

- Sony 1/3" 960H Super HAD CCD II
- High Resolution of 700 TV Lines
- 3D-DNR, D-WDR, HSBL, Defog, OSD
- 256X Sense-up, D-Zoom
- Privacy Zones, Motion Detection
- 38(W) x 38(H)mm
- Option : 32(W)x32(H)mm (VCB-840H)

Effio-E



VCB-720H

- Sony 1/3" 960H Super HAD CCD II
- High Resolution of 700 TV Lines
- 2D-DNR, HLC, ATR, OSD
- Privacy Zones, Motion Detection
- 38(W) x 38(H)mm
- Option : 32(W)x32(H)mm (VCB-820H)

SPECIAL CAMERA

PIR



VCH-P222H

- Sony 1/3" 960H Super HAD CCD II
- High Resolution of 700 TV Lines
- 0.1Lux @ 30IRE, F2.0
- 2D-DNR, HLC, ATR, OSD
- Privacy Zones, Motion Detection
- f=4.3mm Super Cone Pinhole Lens



VCH-P242H

- Sony 1/3" 960H Super HAD CCD II
- High Resolution of 700 TV Lines
- 0.05Lux @ 30IRE, F2.0 (SENS-UP x4)
- 3D-DNR, D-WDR, HSBL, Defog, OSD
- 256X Sense-up, D-Zoom
- Privacy Zones, Motion Detection
- f=4.3mm Super Cone Pinhole Lens

Smoke Detection



VCH-P722H

- Sony 1/3" 960H Super HAD CCD II
- High Resolution of 700 TV Lines
- 0.1Lux @ 30IRE, F2.0
- 2D-DNR, HLC, ATR, OSD
- Privacy Zones, Motion Detection
- f=3.7mm Cone Pinhole Lens
- Option : Audio



VCH-P742H

- Sony 1/3" 960H Super HAD CCD II
- High Resolution of 700 TV Lines
- 0.05Lux @ 30IRE, F2.0 (SENS-UP x4)
- 3D-DNR, D-WDR, HSBL, Defog, OSD
- 256X Sense-up, D-Zoom
- Privacy Zones, Motion Detection
- f=3.7mm Cone Pinhole Lens
- Option : Audio
- VCH-P750W(WDR)

LENS



Fixed Lens (Board Mount)



Pinhole Lens (Board Mount)



Varifocal Lens (Board Mount)



Varifocal Lens (C/CS Mount)



Door-view Lens

ACCESSORY



Wall-Mount (PTZ)



Ceiling-Mount (PTZ)



Wall Mount Bracket (PTZ)



Pole Mount Bracket



Table Mount Bracket



HD-SDI REPEATER



PTZ Controller

960H DVR Series (Analog)



VCS-9604/ 9608/ 9616

- 4/ 8/ 16ch 960H Stand-Alone DVRs
- 120/100fps, 240/ 200fps, 480/400fps
- HDMI, VGA, Composite Video Output
- 4ch Sensor Input, 1 Relay Alarm Output
- USB, Network & DVD Backup
- Mirroring Backup Storage
- Internal 2 HDDs, no-ODD
- Web browser, Network Client S/W
- Smart phone Viewer (iPhone, Android)
- DC12V, 5A



VOS-9604/ 9608/ 9616

- 4/ 8/ 16ch 960H Stand-Alone DVRs
- 120/100fps, 240/ 200fps, 480/400fps
- HDMI, VGA, Composite Video Output
- 4ch Sensor Input, 1 Relay Alarm Output
- USB, Network & DVD Backup
- Mirroring Backup Storage
- Internal 4 HDDs or 2 HDDs + 1 ODD
- Easy Frontkey Button
- Web browser, Network Client S/W
- Smart phone Viewer (iPhone, Android)
- DC12V, 5A



VTS-9608/ 9616

- 4/ 8/ 16ch 960H Stand-Alone DVRs
- 120/100fps, 240/ 200fps, 480/400fps
- HDMI, VGA, Composite Video Output
- 8/ 16ch Loop Video Output
- 8/ 16ch Sensor Input, 1 Relay Alarm Output
- USB, Network & DVD Backup
- Mirroring Backup Storage
- Internal 4 HDDs + 1 ODD
- Web browser, Network Client S/W
- Smart phone Viewer (iPhone, Android)
- DC12V, 5A
- Option : Rack Mount Bracket



VWV-3200

- 32ch 960H Stand-Alone DVRs
- 960/ 800fps Recording
- HDMI, VGA, Composite Video Output
- 16ch Sensor Input, 1 Relay Alarm Output
- USB, Network & DVD Backup
- Mirroring Backup Storage
- Internal 5 HDDs + 1 ODD
- Easy Frontkey Button
- Web browser, Network Client S/W
- Smart phone Viewer (iPhone, Android)
- DC12V, 8A

HD-SDI DVR Series



VER-H4000/ H8000/ H1600

- 4/ 8/ 16ch HD-SDI Stand-Alone DVRs
- Real-time Display,
- 1080p@60/50fps, 720p@120fps Rec.
- HDMI, VGA, Composite Video Output
- 4ch Sensor Input, 1 Relay Alarm Output
- USB, Network & DVD Backup
- Mirroring Backup Storage
- Internal 2 HDDs, no-ODD
- Web browser, Network Client S/W
- Smart phone Viewer (iPhone, Android)
- DC12V, 5A



VTR-H4000/ H8000/ H1600

- 4/ 8/ 16ch HD-SDI Stand-Alone DVRs
- Real-time Display,
- 1080p@60/50fps, 720p@120fps Rec.
- HDMI, VGA, Composite Video Output
- 4ch Sensor Input, 1 Relay Alarm Output
- USB, Network & DVD Backup
- Mirroring Backup Storage
- Internal 4 HDDs, ODD support
- Web browser, Network Client S/W
- Smart phone Viewer (iPhone, Android)
- DC12V, 5A
- Option : Rack Mount Bracket



VHYR-H4000/ H8000/ H1600

- 4/ 8/ 16ch Hybrid(HD-SDI, WD1) Stand-Alone DVRs
- HD-SDI/ WD1/ D1 (1080p/ 720p/ 960H/ D1)
- Full Channel Real-time Recording
- HDMI, VGA, Composite Video Output
- 4ch Sensor Input, 1 Relay Alarm Output
- USB, Network & DVD Backup
- Mirroring Backup Storage
- Internal 4 HDDs + ODD
- Web browser, Network Client S/W
- Smart phone Viewer (iPhone, Android)
- DC12V, 5A



VHYT-H8000/ H1600

- 8/ 16ch Hybrid(HD-SDI, WD1) Stand-Alone DVRs
- HD-SDI/ WD1/ D1 (1080p/ 720p/ 960H/ D1)
- Full Channel Real-time Recording
- HDMI, VGA, Composite Video Output
- 4ch Sensor Input, 1 Relay Alarm Output
- USB, Network & DVD Backup
- Mirroring Backup Storage
- Internal 4 HDDs + ODD
- Web browser, Network Client S/W
- Smart phone Viewer (iPhone, Android)
- DC12V, 5A
- Option : Rack Mount Bracket

Network Video Recorder (Stand-Alone)



VNR-P04/ P08

- 4/ 8ch Full HD IP Network Video Recorder
- Plug-and-Play
- Third-party Network Camera Supports
- 5MP/ 3MP/ 1080p/ 720p/ VGA Rec.
- HDMI, VGA, CVBS Video Output
- 1ch Audio In/ Out
- 2 * SATA HDD (upto 8TB)
- Dual Streaming Supports
- IPv6 Supports, USB 2.0 Ports
- 10M/ 100/ 1000M Ethernet
- ONVIF 2.x Compliance
- PoE supports



VNR-N16

- 16ch Full HD IP Network Video Recorder
- Third-party Network Camera Supports
- 5MP/ 3MP/ 1080p/ 720p/ VGA Rec.
- HDMI, VGA, CVBS Video Output
- 1ch Audio In/ Out
- 2 * SATA HDD (upto 8TB)
- Dual Streaming Supports
- IPv6 Supports, USB 2.0 Ports
- 10M/ 100/ 1000M Ethernet
- ONVIF 2.x Compliance



VN4-F112-1i/ VN9-F127-1i/ VN16-F148-2i VN25-F175-2i/ VN36-H1108-2i

- 4ch, 9ch, 16ch, 25ch & 36ch Full HD Display & Rec
- 2 Internal HDDs (upto 8TB)
- Dual Core 1.8GHz or Higher
- H.264/ MPEG4/ MJPEG Codec Support
- HDMI/ VGA Simultaneous Video Output
- ONVIF Version 2.x Conformant
- eSATA port (up to 16TB)



VN16-F148-4E/ VN25-F175-4E VN32-F196-4E/ VN64-F1192-4E

- 16ch, 25ch, 32ch & 64ch Full HD Display NVR System
- 64ch (HD), 100ch (D1) Rec
- 4 External HDDs (upto 16TB)
- Hot-Swap HDDs
- Dual Core 1.8GHz or Higher
- H.264/ MPEG4/ MJPEG Codec Support
- HDMI/ VGA Simultaneous Video Output
- ONVIF Version 2.x Conformant
- eSATA port (up to 16TB)
- Optional : H/W based RAID Supports

Network Video Recorder (Rack Mount)



VN25-F275-8E/ VN36-F2108-8E VN64-H2192-8E/ VN100-D2300-8E

- 25ch, 36ch, 64ch & 100ch Full HD Display NVR System
- 64ch (HD), 100ch (D1) Rec
- 8 External HDDs (upto 32TB)
- Hot-Swap HDDs
- Dual Core 1.8GHz/ Dual Core 3.3GHz or Higher
- H.264/ MPEG4/ MJPEG Codec Support
- HDMI/ VGA Simultaneous Video Output
- ONVIF Version 2.x Conformant
- Optional : Full H/W based RAID Supports



VN25-F375-16E/ VN36-F3108-16E VN64-H3192-16E/ VN100-HD3300-16E

- 25ch, 36ch, 64ch & 100ch Full HD Display NVR System
- 64ch (HD), 100ch (D1) Rec
- 16 External HDDs (upto 64TB)
- Hot-Swap HDDs
- Dual Core 3.3GHz or Higher
- H.264/ MPEG4/ MJPEG Codec Support
- HDMI/ VGA Simultaneous Video Output
- ONVIF Version 2.x Conformant
- Optional : Full H/W based RAID Supports

DVR Capture Board



VDS-0412/ VDS-0824/ VDS-4816

- Full WD1 4ch/ 8ch & 16ch DVR Capture Board
- NTSC/ PAL Video Input
- Full Channel Real-time Recording
- 1, 4, 6, 8, 13, 16 & Full Display Screen
- Hardware H.264Codec
- Composite Video Output
- Web Viewer, CMS S/W
- Smartphone Viewer (iPhone, Android)
- PCI Express
- Win XP, Win 7



VDS-H1204

- Full HD-SDI 4ch DVR Capture Board
- HD-SDI(SMPTE 292M), 720p Video Input
- Full Channel Real-time Recording
- 1, 4 & Full Display Screen
- Hardware H.264Codec
- Full HD(1280*1080), HD(1280*720)
- Composite Video Output
- Web Viewer, CMS S/W
- Smartphone Viewer (iPhone, Android)
- PCI Express
- Win XP, Win 7



Your Best Business Partner for Global Security