

200 Megapixel Outdoor HD 7-inch Variable Speed Dome Camera



J-DPH-6017

Product's overview

- ✧ Designed for All-weather environment, Waterproof, defend ultraviolet ray and acid rain
- ✧ Upper cover adopts double-layer high strength fireproof ABS material, can anti-hetaer, anti-aging, resistance to corrosion, can extend its lifespan.
- ✧ Lower cover adopts PMMA optical material, high transmittance, non-lossy
- ✧ Standard H.264 compression Methods
- ✧ Adopts high-performance SoC processor, can support 1080P@30fps
- ✧ Using precision progressive motor, quick response, steady rotation, operation smoothly
- ✧ clock mechanism can be taken down, and easy to install, adjust and protection
- ✧ IP66 Rated (outdoor)

Features:

- ✧ Support dual-stream and take HD candid photograph
- ✧ Can increase talkback of bothway and transparent serial port function
- ✧ Dual-stream support remote control by mobile phone
- ✧ Can insert many kinds of platform
- ✧ Auto pan scan, stereoscopic scan between two points
- ✧ Manual zoom control
- ✧ Manual control low speed and increase scan area, capture the target accurately
- ✧ Pan and tilt's limit angle can adjust
- ✧ Presets tour inspection function
- ✧ Auto save messages in case of outages
- ✧ Keep watching function
- ✧ Auto temperature control optional
- ✧ Build-in linear surge of power and Lightning protection device
- ✧ Suitable with Sony, CNB, and SDM cameras, to realize lens presets
- ✧ Compatible with popular video camera in market, other cameras can be customized

Technical data:

Camera and lens

- ✧ Image sensor: 1/3MN34041 CMOS
- ✧ Low illumination: Color: 0.1 Lux AGC ON;Black and white: 0.02 Lux AGC ON
- ✧ Lens: f 4.7~94mm,F1.6~3.7
- ✧ Pan view angle:72°(wide) -2.2°(Tele)
- ✧ Day and night IR-CUT,auto focus
- ✧ Auto control:day and night intelligent AE:AWB own arithmetic;Optical environment model auto match,Dynamic Gamma Correction
- ✧ Shutter speed:1/1s~1/1000s
- ✧ Zoom: 20X optional zoom

Video and audio

- ✧ Output video: H.264HP/MPEG4
- ✧ High resolution: Full HD1080P (1920*1080)
- ✧ Horizontal resolution: >950TVL (1920*1080 Pixels); >800TVL (1280*1024 Pixels); >700TVL (1280*720 Pixels)
- ✧ Dual-stream:1080P+CIF,720P+D1/VGA and so on
- ✧ Frame rate: 25/30 optional
- ✧ Audio compression:G.711 ulaw/G.711 alaw/G.726

Network

- ✧ Network protocol: IPv4/IPv6,HTTP,HTTPS,802.1x,Qos,FTP,SMTP,UPnP,SNMP,DNS,DDNS,NTP,RTSP,RTP,TCP,UDP,IGMP,ICMP,DHCP,PPPoE
- ✧ Platform support: ONVIF2.4;28181;support proprietary protocol
- ✧ Safety: password protection,many users' visit control

System integration

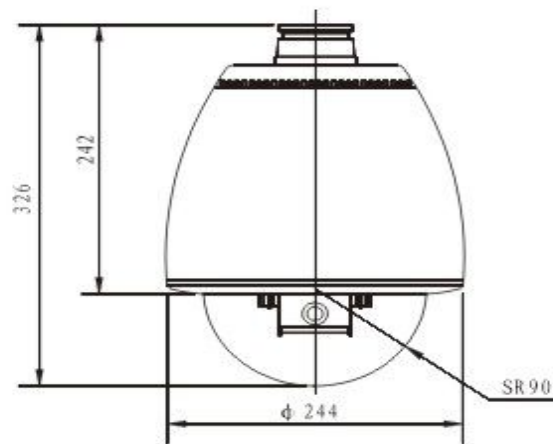
- ✧ application programmers interface:Client's control platform,extend circuit interface SCH
- ✧ Data interface:RJ45 port,audio port,alarm port,TTL(232 protocol) and 12V power

Pan and Tilt

- ✧ Voltage: 24AC (±10%) (linear power)
- ✧ Pan speed: 0.9 to 48°/s
- ✧ Tilt speed: 0.9 to 26°/s
- ✧ Pan scale: 360° continuously
- ✧ Tilt scale: 0° to 90°
- ✧ Suitable temperature: -30 to 50°C (outdoor no condensation); -10 to 50°C (indoor no condensation)
- ✧ Preset number: maximum 128
- ✧ Preset precision:±0.5°
- ✧ PTZ position precision:±0.5°

- ✧ Address:0~255
- ✧ Communication format standard: RS-485 (BUS)
- ✧ Power on: wait for commands after self-testing
- ✧ Mechanism structure: built-in PTZ
- ✧ Band rates: 2,400, 4,800 and 9,600
- ✧ Material of upper cover:high strength fireproof ABS material
- ✧ Material of lower cover:PMMA optical material
- ✧ Consumed power:≤20W (outdoor none auto temperature control);≤20W (indoor)
- ✧ Protection grade: IP66

Dimension:



Matching Brackets:



Ceiling mount J-IB-9012



Ceiling mount J-IB-9002