



# ANALOG SYSTEM

---

## CONTENTS

---

- EFFIO-P(WDR) Camera
  - X4(720TVL) Camera
  - 960H DVR
  - Analog Installation Solution
-

# HIGH-END ANALOG SYSTEM

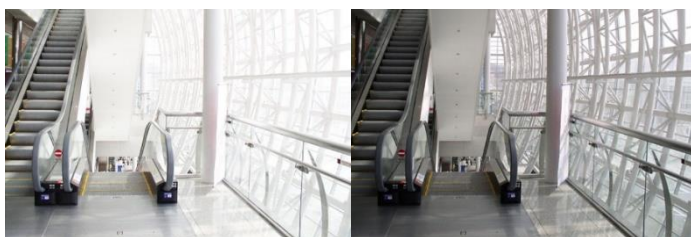
GMG SECURITY is Korean CCTV manufacturer and professional security solution provider. As a manufacturer and system integrator at the same time, we provide our customers to the best and high advanced technology.

GMG's analog surveillance system only provides 960H high resolution cameras which shows its specialty and uniqueness functions as below.

## ANALOG SOLUTIONS

### 1. EFFIO-V(WDR) Series

GMG's Effio-V solution shows the best WDR performance to security market. Effio-V by SONY DSP is perfectly developed to our cameras, so it doesn't matter that surveillance cameras monitor the area against the Sun light. At least WDR function, other solution cannot follow its performance, even for HD cameras.



Normal Camera

GMG Effio-V(WDR) Solution

### 2. X4(720TVL, Sens-up) Series

GMG's Effio-P solution shows the best WDR performance to security market. Effio-P by SONY DSP is perfectly developed to our cameras, so it doesn't matter that surveillance cameras monitor the area against the Sun light. At least WDR function, other solution cannot follow its performance, even for HD cameras.



Sens-up Off

Sens-up On

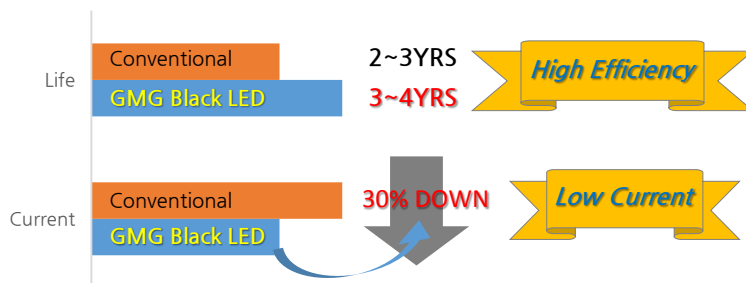
## SPECIAL FEATURES

### 1. BLACK LED



GMG Version

Conventional



All of GMG's surveillance cameras are equipped **BLACK LED** which is very unique and good quality. We have designed black LED board circuit to be input low current for high efficiency, so it will last for longer than normal white LED. Other than point of technology, black LED seems very intense power, and it makes camera's appearance very safer and secured.

### 2. 960H Integrated System

All our system is perfectly integrated and developed to 960H system. The most important key fact for high-end analog system is data processing technology for 960H's full data. Our 960H DVR is designed to analysis and display the best quality image processing 700TVL line camera's **12bit A/D** data.

# Effio-V Solution *NEW*



## GMG High-end WDR Solution Dome Camera



### FEATURES

- 1/3" SONY 960H Double Scan CCD
- Resolution : 750TVL
- Min. Illumination 0.003Lux(Color, Sens-up Auto)
- **WDR(Wide Dynamic Range), ATR-EX2 Function**
- 2D + 3D DNR
- ICR Day & Night Function
- 2.8-12mm 2MP V/F Lens
- **30pcs BLACK LED Equipped**
- Equipped OSD Controller assembled with RCA Output Port
- DC 12V

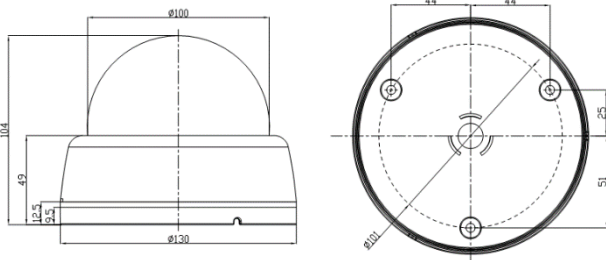
### OPTION

- Lens : 3.6mm Megapixel fixed Lens
- Housing Option :



### DIMENSION

(Unit : mm)



### SPECIFICATION

GID-9413	
<b>VIDEO</b>	
CCD Sensor	1/3" SONY 960H Dual Scan WDR Super HAD CCD II
Total Pixel	1020(H) x 596(V)
Effective Pixel	976(H) x 582(V), 570K
System	2 : 1 Interlace
Frequency	15.625kHz(H), 50Hz(V)
Resolution	Color : 750TVL
Min. Illumination	Color : 0.003Lux(Sens-up Auto) , F1.2
S/N Ratio	52dB (AGC OFF)
Sync. System	Internal / Line-Lock
Video Output	CVBS : 1.0Vp-p, 75ohm Composite
<b>LENS</b>	
Type	DC Auto IRIS 2Megapixel Vari-focal Lens
Focal Length	2.8-12mm
<b>FUNCTION</b>	
On Screen Display	Multi Language
Camera ID	OFF / ON
Day& Night	COLOR / BW/ AUTO / EXT / CDS
WDR	OFF / ON (Level Setting), <b>ATR-EX</b>
BLC / HLC	OFF / ON (Area Setting)
AGC	OFF / ON (Level Setting)
DNR	Intelligent 2D + 3D DNR (OFF/ON, Level Adjustment)
White Balance	ATW/PUSH/USER1/USER2/ANTICR/MANUAL/PUSHLOCK
Electric Shutter	1/60(50) ~ 1/100,000/sec
D-Zoom	OFF / ON (x1 ~ x256)
Mirror	OFF / ON
DIS	OFF / ON
SMART IR	OFF / ON
IR LED	<b>30pcs BLACK LED (25m Night View)</b>
Motion Detection	OFF / ON (4 Zones)
Privacy Mask	OFF / ON (15 Areas)
SENS-UP	AUTO
Sharpness	OFF / ON(Level Adjustment)
<b>ENVIRONMENT</b>	
Temp./Humid.	-10°C ~ +50°C / Under 90% RH
<b>POWER</b>	
Power Voltage	DC 12V
Power Consumption	200mA ± 10%, 450mA ± 10% (LED On)
<b>GENERAL INFO.</b>	
Color / Material	White / Plastic (Dome Cover : Clear)
Dimension	130mm(Φ) X 100mm(H)
Weight	400g

\* Above specification and image are subject to change without prior notice for quality improvement.

NETWORK

HD-SDI

ANALOG

WIRELESS

SENSOR

INDUSTRIAL

# GID-8413HY

## 720TVL 30pcs Black LED Indoor Dome

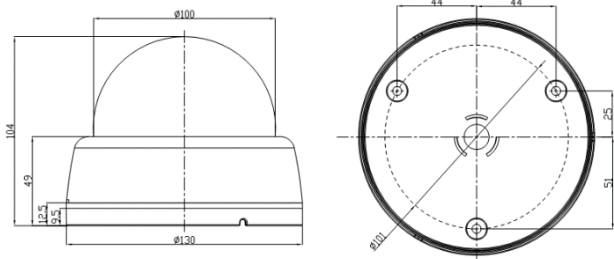


### FEATURES

- 1/3" SONY 960H Exview HAD CCD II (ICX672/673AK CCD)
- Resolution : **720TVL**
- Min. Illumination 0.06Lux(Color)
- D-WDR / DEFOG Function
- **Hybrid Day & Night Function**
- 2D + 3D DNR
- **2.8~12mm 2Megapixel Vari-focal Lens**
- **30pcs BLACK LED Equipped**
- Sens-Up Function(up to x512)
- **Equipped OSD Controller assembled with RCA Output Port**
- CCVC(Camera Control Via Coax)
- DC 12V
- Made in Korea

### DIMENSION

(Unit : mm)



### SPECIFICATION

GID-8413HY	
<b>VIDEO</b>	
CCD Sensor	1/3" SONY 960H Exview CCD
Total Pixel	1020(H) x 596(V)
Effective Pixel	976(H) x 582(V), 570K
System	2 : 1 Interlace
Frequency	15.625kHz(H), 50Hz(V)
Resolution	Color : 720TVL
Min. Illumination	Color : 0.1(50IRE), 0.06(15IRE), F1.2
S/N Ratio	52dB (AGC OFF)
Sync. System	Internal / Line-Lock
Video Output	CVBS : 1.0Vp-p, 75ohm Composite
<b>LENS</b>	
Type	DC Auto IRIS <b>2Megapixel</b> Vari-focal Lens
Focal Length	2.8-12mm
<b>FUNCTION</b>	
On Screen Display	Multi Language
Camera ID	OFF / ON
Day & Night	DAY / NIGHT / AUTO / EXT
D-WDR	AUTO / MANUAL (Level Setting)
BLC / HLC	OFF / ON (Area Setting)
AGC	OFF / ON (Level Setting)
DNR	Intelligent 2D + 3D DNR (OFF/ON, Level Adjustment)
White Balance	ATW / PUSH / MANUAL
Electric Shutter	1/60(50) ~ 1/120,000/sec
DEFOG	AUTO / MANUAL (Level Setting)
SMART IR	OFF / ON
BLACK LED	30pcs
Motion Detection	OFF / ON (4 Zones)
Privacy Mask	OFF / ON (8 Areas)
SENS-UP	OFF / ON (x2 ~ x512)
Sharpness	OFF / ON (Level Adjustment)
<b>ENVIRONMENT</b>	
Temp./Humid.	-10°C ~ +50°C / Under 90% RH
<b>POWER</b>	
Power Voltage	DC 12V
Power Consumption	200mA ± 10%, 450mA ± 10% (LED On)
<b>GENERAL INFO.</b>	
Color / Material	White / Plastic (Dome Cover : Clear)
Dimension	130mm(Φ) X 100mm(H)
Weight	400g

\* Above specification and image are subject to change without prior notice for quality improvement.

NETWORK

HD-SDI

ANALOG

WIRELESS

SENSOR

INDUSTRIAL

# GID-8413HY

## 720TVL 30pcs Black LED Indoor Dome

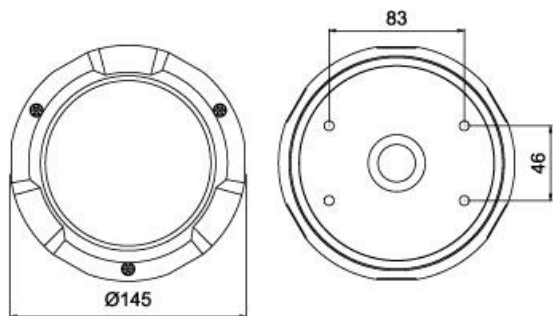
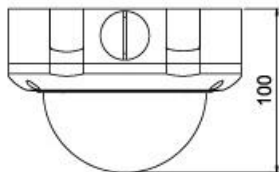


### FEATURES

- 1/3" SONY 960H Exview HAD CCD II (ICX672/673AK CCD)
- Resolution : **720TVL**
- Min. Illumination 0.06Lux(Color)
- D-WDR / DEFOG Function
- **Hybrid Day & Night Function**
- 2D + 3D DNR
- **2.8~12mm 2Megapixel Vari-focal Lens**
- **28pcs BLACK LED Equipped**
- Sens-Up Function(up to x512)
- **Equipped OSD Controller assembled with RCA Output Port**
- CCVC(Camera Control Via Coax)
- Vandal Proof Housing with IP66 Rated
- DC 12V
- Made in Korea

### DIMENSION

(Unit : mm)



### SPECIFICATION

GIV-8413HY	
<b>VIDEO</b>	
CCD Sensor	1/3" SONY 960H Exview CCD
Total Pixel	1020(H) x 596(V)
Effective Pixel	976(H) x 582(V), 570K
System	2 : 1 Interlace
Frequency	15.625kHz(H), 50Hz(V)
Resolution	Color : 720TVL
Min. Illumination	Color : 0.1(50IRE), 0.06(15IRE), F1.2
S/N Ratio	52dB (AGC OFF)
Sync. System	Internal / Line-Lock
Video Output	CVBS : 1.0Vp-p, 75ohm Composite
<b>LENS</b>	
Type	DC Auto IRIS <b>2Megapixel</b> Vari-focal Lens
Focal Length	2.8-12mm
<b>FUNCTION</b>	
On Screen Display	Multi Language
Camera ID	OFF / ON
Day & Night	DAY / NIGHT / AUTO / EXT
D-WDR	AUTO / MANUAL (Level Setting)
BLC / HLC	OFF / ON (Area Setting)
AGC	OFF / ON (Level Setting)
DNR	Intelligent 2D + 3D DNR (OFF/ON, Level Adjustment)
White Balance	ATW / PUSH / MANUAL
Electric Shutter	1/60(50) ~ 1/120,000/sec
DEFOG	AUTO / MANUAL (Level Setting)
SMART IR	OFF / ON
BLACK LED	28pcs
Motion Detection	OFF / ON (4 Zones)
Privacy Mask	OFF / ON (8 Areas)
SENS-UP	OFF / ON (x2 ~ x512)
Sharpness	OFF / ON (Level Adjustment)
<b>ENVIRONMENT</b>	
Temp./Humid.	-10°C ~ +50°C / Under 90% RH
<b>POWER</b>	
Power Voltage	DC 12V
Power Consumption	200mA ± 10%, 450mA ± 10% (LED On)
<b>GENERAL INFO.</b>	
Color / Material	Silver / Metal (Dome Cover : Poly Carbonate)
Dimension	145mm(Φ) X 100mm(H)
Weight	1.2Kg

\* Above specification and image are subject to change without prior notice for quality improvement.

NETWORK

HD-SDI

ANALOG

WIRELESS

SENSOR

INDUSTRIAL

# GIB-8430HY

## 720TVL 30pcs Black LED Bullet Camera

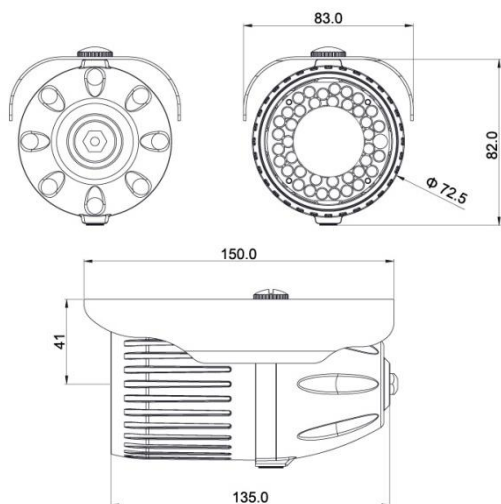


### FEATURES

- 1/3" SONY 960H Exview HAD CCD II (ICX672/673AK CCD)
- Resolution : **720TVL**
- Min. Illumination 0.06Lux(Color)
- D-WDR / DEFOG Function
- **Hybrid Day & Night Function**
- 2D + 3D DNR
- **2.8~12mm 2Megapixel Vari-focal Lens**
- **30pcs BLACK LED assembled with 4 Heaters**
- Sens-Up Function(up to x512)
- **Equipped OSD Controller assembled with RCA Output Port**
- Concealed Bracket
- IP67 Rated
- CCVC(Camera Control Via Coax)
- DC 12V
- Made in Korea

### DIMENSION

(Unit : mm)



### SPECIFICATION

GIB-8430HY	
<b>VIDEO</b>	
CCD Sensor	1/3" SONY 960H Exview CCD
Total Pixel	1020(H) x 596(V)
Effective Pixel	976(H) x 582(V), 570K
System	2 : 1 Interlace
Frequency	15.625kHz(H), 50Hz(V)
Resolution	Color : 720TVL
Min. Illumination	Color : 0.1(50IRE), 0.06(15IRE), F1.2
S/N Ratio	52dB (AGC OFF)
Sync. System	Internal / Line-Lock
Video Output	CVBS : 1.0Vp-p, 75ohm Composite
<b>LENS</b>	
Type	DC Auto IRIS <b>2Megapixel</b> Vari-focal Lens
Focal Length	2.8-12mm
<b>FUNCTION</b>	
On Screen Display	Multi Language
Camera ID	OFF / ON
Day & Night	DAY / NIGHT / AUTO / EXT
D-WDR	AUTO / MANUAL (Level Setting)
BLC / HLC	OFF / ON (Area Setting)
AGC	OFF / ON (Level Setting)
DNR	Intelligent 2D + 3D DNR (OFF/ON, Level Adjustment)
White Balance	ATW / PUSH / MANUAL
Electric Shutter	1/60(50) ~ 1/120,000/sec
DEFOG	AUTO / MANUAL (Level Setting)
SMART IR	OFF / ON
BLACK LED	<b>30pcs</b>
Heater	<b>4pcs</b>
Motion Detection	OFF / ON (4 Zones)
Privacy Mask	OFF / ON (8 Areas)
SENS-UP	OFF / ON (x2 ~ x512)
Sharpness	OFF / ON(Level Adjustment)
<b>ENVIRONMENT</b>	
Temp./Humid.	-10°C ~ +50°C / Under 90% RH
<b>POWER</b>	
Power Voltage	DC 12V
Power Consumption	200mA ± 10%, 600mA ± 10% (IR-LED On)
<b>GENERAL INFO.</b>	
Color / Material	Grey(Two Tone) / Aluminum (Head : Glass)
Dimension	83mm(W) 82mm(H) x 150mm(D)
Weight	700g

\* Above specification and image are subject to change without prior notice for quality improvement.

NETWORK

HD-SDI

ANALOG

WIRELESS

SENSOR

INDUSTRIAL

# GNS-2721/3321/3721

Most Quiet & Powerful PTZ Camera

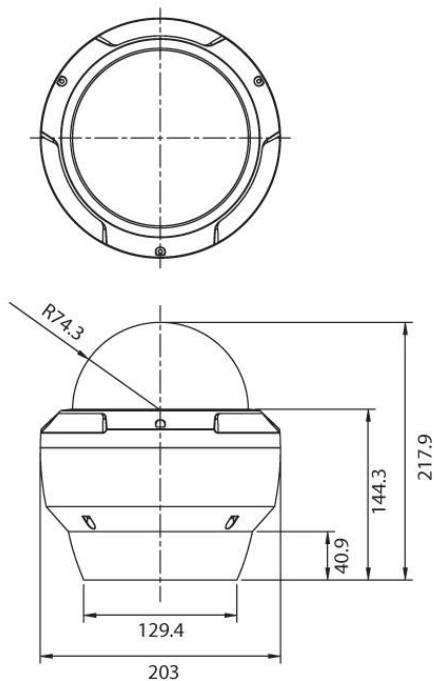


## FEATURES

- Versatile Usage
- 600TVL, Min. Illumination : 0.02Lux(Color, ICR)
- Day & Night(ICR)
- High Speed Pan/Tilt Speed : 400°/sec, 300°/sec
- Rolling Bearing/Belt Equipped for Smooth Moving & Quite
- 0.009° Accuracy Preset Function
- Built-in Fan/Heater, IP66 Rated
- RS-485 Remote Control
- GNS-2721 : 27x(3.5~95mm) Optical Zoom
- GNS-3321 : 33x(3.5~116.5mm) Optical Zoom
- GNS-3721 : 37x(3.5~129.5mm) Optical Zoom

## DIMENSION

(Unit : mm)



## SPECIFICATION

	GNS-2721	GNS-3321	GNS-3721
<b>VIDEO</b>			
CCD	1/4" Interline Transfer CCD		
Total Pixel	811(H) x 508(V)		
Effective Pixel	768(H) x 494(V)		
System	2 : 1 Interlace		
Frequency	15.734kHz(H), 59.94Hz(V)		
Resolution	Color : 600TVL		
Min. Illumination	0.02Lux(ICR ON), F1.2		
S/N Ratio	50dB		
Sync. System	Internal / Line-Lock		
Output	CVBS : 1.0Vp-p, 75ohm Composite		
<b>LENS</b>			
Focal Length	3.5~95mm(27x)	3.5~116.5mm(33x)	3.5~129.5mm(37x)
Focus Control	Auto / One AF / Manual		
<b>PAN/TILT</b>			
Pan Range/Speed	360° Endless / Preset : 400°/sec, Manual : 0.5°~200°/sec (64 Step)		
Tilt Range/Speed	-2° ~ 90° / Preset : 350°/sec, Manual : 0.5°~150°/sec (64 Step)		
<b>FUNCTIONS</b>			
Preset / Accuracy	220 / 0.009°		
Tour	Max. 8 Programmable		
Auto Scan / Sector	8 / 8		
On Screen Display	Multi Language		
Day& Night	AUTO / DAY / NIGHT		
WDR	N/A	OFF / ON(Option)	OFF / ON
BLC / HLC	OFF / ON		
Sens-Up	OFF / ON		
AGC	OFF / ON (Level Setting)		
DNR	OFF / ON (Level Setting)		
DIS	OFF / ON		
Motion Detection	OFF / ON (4 Zones)		
Privacy Mask	OFF / ON (8 Areas)		
Home Position	Preset / Tour / Pattern / Scan		
Auto Flip	OFF / ON		
Flickerless	OFF / ON		
Alarm In/Aux Out	4 / 2 Relay		
Remote/Protocol	RS-485/ Multiple (Pelco D/P, SAMSUN, ETC.)		
<b>OPERATION</b>			
Temperature	-10°C ~ +50°C		
IP	IP66		
Motor/Micro Step	Stepping Motor(2 Phase) / 1/16 Stepping Motor		
<b>POWER</b>			
Voltage	AC 24V, 2A		
Current/Watt	AC 24V, 1.5A ± 10%, Max 36W		
<b>APPERANCE</b>			
Color / Material	Ivory / Aluminum Die Casting		
Dimension	203mm(Φ) x 217.9mm(H)		

\* Above specification and image are subject to change without prior notice for quality improvement.

NETWORK

HD-SDI

ANALOG

WIRELESS

SENSOR

INDUSTRIAL

# GNS-2721IR/3321IR/3721IR

## Most Quiet & Powerful IR PTZ Camera

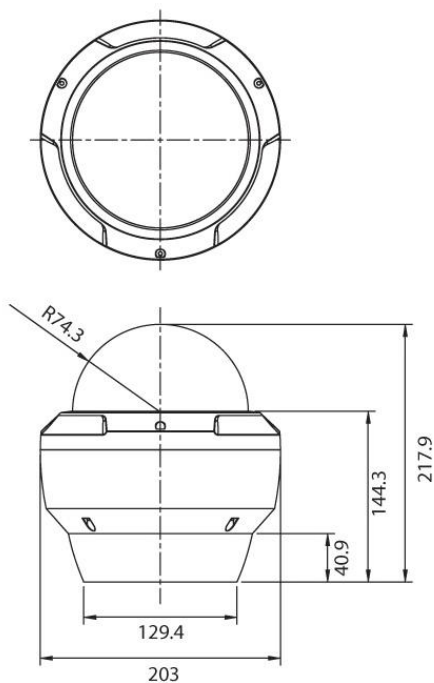


### FEATURES

- Versatile Usage
- 600TVL, Min. Illumination : 0.02Lux(Color, ICR)
- **Hi Power, Green IR-LED Equipped(28pcs)**
- Day & Night(ICR)
- High Speed Pan/Tilt Speed : 400°/sec, 300°/sec
- Rolling Bearing/Belt Equipped for Smooth Moving & Quite
- 0.009° Accuracy Preset Function
- Built-in Fan/Heater, IP66 Rated
- RS-485 Remote Control
- GNS-2721IR : 27x(3.5~95mm) Optical Zoom
- GNS-3321IR : 33x(3.5~116.5mm) Optical Zoom
- GNS-3721IR : 37x(3.5~129.5mm) Optical Zoom

### DIMENSION

(Unit : mm)



### SPECIFICATION

	GNS-2721IR	GNS-3321IR	GNS-3721IR
<b>VIDEO</b>			
CCD	1/4" Interline Transfer CCD		
Total Pixel	811(H) x 508(V)		
Effective Pixel	768(H) x 494(V)		
System	2 : 1 Interlace		
Frequency	15.734kHz(H), 59.94Hz(V)		
Resolution	Color : 600TVL		
Min. Illumination	0.02Lux(ICR ON)/0Lux(IR ON)		
S/N Ratio	50dB		
Sync. System	Internal / Line-Lock		
Output	CVBS : 1.0Vp-p, 75ohm Composite		
<b>LENS</b>			
Focal Length	3.5~95mm(27x)	3.5~116.5mm(33x)	3.5~129.5mm(37x)
Focus Control	Auto / One AF / Manual		
<b>PAN / TILT</b>			
Pan Range/Speed	360° Endless / Preset : 400°/sec, Manual : 0.5°~200°/sec (64 Step)		
Tilt Range/Speed	-2° ~ 90° / Preset : 350°/sec, Manual : 0.5°~150°/sec (64 Step)		
<b>FUNCTIONS</b>			
Preset / Accuracy	220 / 0.009°		
Tour	Max. 8 Programmable		
Auto Scan / Sector	8 / 8		
On Screen Display	Multi Language		
Day& Night	AUTO / DAY / NIGHT		
WDR	N/A	OFF / ON(Option)	OFF / ON
BLC / HLC	OFF / ON		
Sens-Up	OFF / ON		
AGC	OFF / ON (Level Setting)		
DNR	OFF / ON (Level Setting)		
DIS	OFF / ON		
Motion Detection	OFF / ON (4 Zones)		
Privacy Mask	OFF / ON (8 Areas)		
Home Position	Preset / Tour / Pattern / Scan		
Auto Flip	OFF / ON		
Flickerless	OFF / ON		
Alarm In/Aux Out	4 / 2 Relay		
Remote/Protocol	RS-485/ Multiple (Pelco D/P, SAMSUN, ETC.)		
IR-LED	28EA		
<b>OPERATION</b>			
Temperature	-10°C ~ +50°C		
IP	IP66		
Motor/Micro Step	Stepping Motor(2 Phase) / 1/16 Stepping Motor		
<b>POWER</b>			
Voltage	AC 24V, 2A		
Current/Watt	AC 24V, 1.5A ± 10%, Max 36W		
<b>APPERANCE</b>			
Color / Material	Ivory / Aluminum Die Casting		
Dimension	203mm(Φ) x 217.9mm(H)		

\* Above specification and image are subject to change without prior notice for quality improvement.

NETWORK

HD-SDI

ANALOG

WIRELESS

SENSOR

INDUSTRIAL



# GTS-T12

## 12x High Performance Mini PTZ Camera

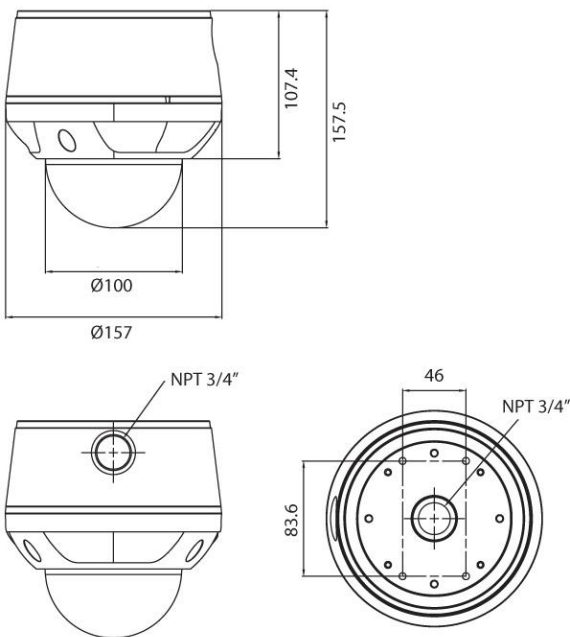


### FEATURES

- Versatile Usage
- 580TVL, Min. Illumination : 0.02Lux(Color, ICR)
- Day & Night(ICR)
- High Speed Pan/Tilt : 250°/sec
- Rolling Bearing/Belt Equipped for Smooth Moving & Quite
- 0.05° Accuracy Preset Function
- Built-in Fan/Heater, IP66 Rated
- RS-485 Remote Control

### DIMENSION

(Unit : mm)



## PTZ SERIES



### SPECIFICATION

GTS-T12	
<b>VIDEO</b>	
CCD	1/4" Interline Transfer CCD
Total Pixel	811(H) x 508(V)
Effective Pixel	768(H) x 494(V)
System	2 : 1 Interlace
Frequency	15.734kHz(H), 59.94Hz(V)
Resolution	Color : 600TVL
Min. Illumination	0.04Lux(ICR ON)
S/N Ratio	52dB
Sync. System	Internal / Line-Lock
Output	CVBS : 1.0Vp-p, 75ohm Composite
<b>LENS</b>	
Focal Length	3.94~46.05mm(12x)
Focus Control	Auto / One AF / Manual
<b>PAN / TILT</b>	
Pan Range/Speed	360° Endless / Preset : 400°/sec, Manual : 0.5°~200°/sec (64 Step)
Tilt Range/Speed	-2° ~ 90° / Preset : 350°/sec, Manual : 0.5°~150°/sec (64 Step)
<b>FUNCTIONS</b>	
Preset / Accuracy	220 / 0.009°
Tour	Max. 8 Programmable
Auto Scan / Sector	8 / 8
On Screen Display	Multi Language
Day& Night	AUTO / DAY / NIGHT
BLC / HLC	OFF / ON
Sens-Up(DSS)	OFF / ON
AGC	OFF / ON (Level Setting)
DNR	SSNR/SSDR, OFF / ON (Level Setting)
DIS	OFF / ON
Privacy Mask	OFF / ON (8 Areas)
Home Position	Preset / Tour / Pattern / Scan
Auto Flip	OFF / ON
Flickerless	OFF / ON
Alarm Input	4
Remote Control	RS-485
<b>OPERATION</b>	
Temperature	-10°C ~ +50°C
IP	IP66
Motor/Micro Step	Stepping Motor(2 Phase) / 1/4 Stepping Motor
<b>POWER</b>	
Voltage	DC 12V 1.7A /AC 24V, 1.5°
Power Consump.	AC 24V, 0.7A ± 10%, Max. 16W(Heater On 24W) DC 12V, 0.8A ± 10%, Max. 10W(Heater On 16W)
<b>APPEARANCE</b>	
Color / Material	Ivory / Aluminum Die Casting
Dimension	157mm(Φ) x 157.5mm(H)

\* Above specification and image are subject to change without prior notice for quality improvement.

NETWORK

HD-SDI

ANALOG

WIRELESS

SENSOR

INDUSTRIAL

# GMH-1 Series

## 4/8/16CH High-end 960H Standalone DVR



### FEATURES

- 4CH/ 8 CH/ 16CH 960H(700TVL) Standalone DVR
- 700TVL Camera Display & Recording(12Bit Data processing)
- Dual Streaming with Adjustable fps and Resolution
- HDMI Output
- Quick & Easy Network Setup
- Various Data Storage : 3 SATA HDD, 1 eSATA, 1 DVD
- iSCSI Recording Supports
- EOL Register(10K) : up to 4CH
- RAID1/ 5(Optional)
- Network Function : DDNS, DHCP, UPNP
- 2-way Audio, Alarm, ATM, POS
- Bundled Software : CMS, RMS, **Mac Viewer**, Web Client
- Smartphone Viewer Application : Android/iPhone/iPad

### DIMENSION

(Unit : mm)



### SPECIFICATION

	GMH1-04	GMH1-08	GMH1-16	
<b>DISPLAY</b>				
VIDEO	CH	4	8	16
	Compression	H.264		
	Speed	960H Realtime		
DISPLAY	Resolution	960H		
	Screen	1 / 4 / 9 / 16		
<b>FUNCTION</b>				
Operation System		Embedded Linux		
REC.	Compression	H.264		
	Speed	960H Realtime		
	Mode	Schedule, Watermark, Sensor-Activated, Audio Motion Detection, Text		
	Quality	5 Level		
Playback	Bit Rate	8Mbps/CH, Adjustable		
	Search	Go to first rec. time, Go to last rec. time, Go to last search time, Calendar, Log viewer, Smart search, Multi-time & day search, Event search		
	Speed	x1 ~ x32, x300		
Network	Mode	Event only playback, Backward, Pause, Frame by frame, Panorama		
	Interface	10/100/1G		
	Speed	Max. Q960H 8fps/CH		
	Resolution	Max. 960H		
Back-up	Mode	Bandwidth Control		
	Interface	USB, DVD, Network		
	Internal HDD	3 x HDD		
	DVD	1 x DVD		
PTZ / Keyboard	External HDD	1 x eSATA		
	H/W RAID	RAID 1/5 (Option)		
	Format	Video Clip(Backup Viewer), JPEG Image, Log, Setup		
POS/ATM	2 x RS-485			
Software	RS-232C - Terminal Block, Ethernet POS			
<b>INTERFACE</b>				
Video Output	VGA	1 x VGA (Full HD, XGA)		
	HDMI	1 x HDMI (Full HD, XGA)		
	Composite	1 x Composite (720 x 480)		
	Spot	1 x BNC (Multi-Channel : 1 / 4 / 9 / 16)		
Audio	Loop Out	4CH	8CH	16CH
	Compression	G.711U, 2Way		
	Input	4CH	8CH	16CH
	Output	1 x HDMI, 1 x RCA		
Alarm	Input	4CH	8CH	16CH
	Output	1 - NC/NO/EOL	2 - NC/NO/EOL	4 - NC/NO/EOL
	Pre/Post Alarm	5sec ~ 5min		
	Motion Grid	16 x 12 (NTSC/PAL)		
Interface	Action	E-mail, CH Popup, Buzzer, Relay, PTZ Preset, Spot Remote CMS, Front LED		
	Ethernet	1 RJ45		
	Data	RS-485		
	USB	USB 2.0		
<b>GENERAL INFO.</b>				
Power	Mouse, Remote Controller, Front Button			
Operating Temp./Hum.	12V, 5A, 60Watt			
Dimension(mm)	5°C ~ +40°C / Under 80% RH			
Weight(kg)	430mm(W) x 86mm(H) x 270mm(H)			
Certificate	4KG(Without HDD)			
	CE, FCC, RoHS			

\* Specification and design are subject to change without notice.

NETWORK

HD-SDI

ANALOG

WIRELESS

SENSOR

INDUSTRIAL

# GSH-1 Series

## 4CH/8CH/16CH 960H Standalone DVR

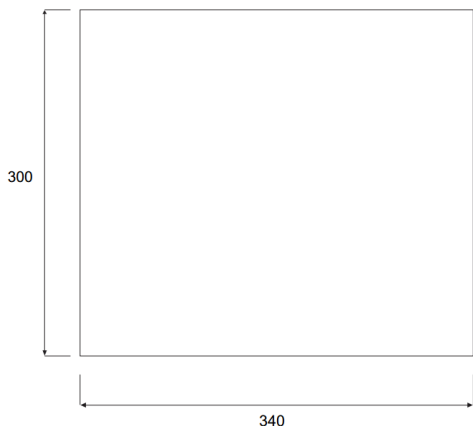


### FEATURES

- 4CH/ 8 CH/ 16CH 960H(700TVL) Standalone DVR
- 700TVL Camera Display & Recording(12Bit Data processing)
- Dual Streaming with Adjustable fps and Resolution
- HDMI Output
- Quick & Easy Network Setup
- Various Data Storage : 2 HDD or 1 HDD + 1 eSATA
- iSCSI Recording Supports
- EOL Register(10K) : up to 4CH
- Network Function : DDNS, DHCP, UPNP
- 2-way Audio, ATM, POS
- EOL, Camera Tamper Alarm Support
- Coaxitron Function
- Bundled Software : CMS, RMS, Mac Viewer, Web Client
- Smartphone Viewer Application : Android/iPhone/iPad

### DIMENSION

(Unit : mm)



### SPECIFICATION

		GSH1-04	GSH1-08	GSH1-16
<b>DISPLAY</b>				
VIDEO	CH	4	8	16
	Compression	H.264		
	Speed	960H Realtime		
DISPLAY	Resolution	960H		
	Screen	1 / 4 / 9 / 16		
<b>FUNCTION</b>				
Operation System		Embedded Linux		
REC.	Compression	H.264		
	Speed	960H Realtime		
	Mode	Schedule, Watermark, Sensor-Activated, Audio Motion Detection, Text		
	Quality	5 Level		
	Bit Rate	Max. 8Mbps/CH, Adjustable		
Playback	Search	Go to first rec. time, Go to last rec. time, Smart search, Multi-time & day search, Event search		
	Speed	x1 ~ x32, x300		
	Mode	Event only playback, Backward, Pause, Frame by frame, Panorama		
Network	Interface	10/100/1G		
	Speed	Max. CIF 8fps/CH		
	Resolution	Max. 960H		
	Mode	Bandwidth Control		
Back-up	Interface	USB, DVD, Network		
	Internal HDD	2 x HDD or 1 x HDD + 1 eSATA		
	DVD	N/A		
	External HDD	1 x eSATA(Optional)		
	H/W RAID	N/A		
	Format	Video Clip(Backup Viewer), JPEG Image, Log, Setup		
PTZ / Keyboard	2 x RS-485			
POS/ATM	RS-232C - Terminal Block, Ethernet POS			
Software	CMS, RMS, Mac Viewer, Smartphone APP(3G/4G)			
<b>INTERFACE</b>				
Video Output	VGA	1 x VGA (Full HD, XGA)		
	HDMI	1 x HDMI (Full HD, XGA)		
	Composite	1 x Composite (720 x 480)		
	Spot	1 x BNC (Multi-Channel : 1 / 4 / 9 / 16)		
	Loop Out	N/A		
Audio	Compression	G.711U, 2Way		
	Input	4CH	8CH	16CH
	Output	1 x HDMI, 1 x RCA		
	Bit Rate	32Kbps		
Alarm	Input	4CH	8CH	16CH
	Output	1 - NC/NO/EOL	2 - NC/NO/EOL	4 - NC/NO/EOL
	Pre/Post Alarm	5sec ~ 5min		
	Motion Grid	16 x 12 (NTSC/PAL)		
	Action	E-mail, CH Popup, Buzzer, Relay, PTZ Preset, Spot Remote CMS, Front LED		
Interface	Ethernet	1 RJ45		
	Data	RS-485		
	USB	USB 2.0		
	Operation	Mouse, Remote Controller, Front Button		
<b>GENERAL INFO.</b>				
Power	12V, 5A - Level 5, 60Watt			
Operating Temp./Hum.	5°C ~ +40°C / Under 80% RH			
Dimension(mm)	340mm(W) x 59mm(H) x 300mm(H)			
Weight(kg)	3KG(Without HDD)			
Certificate	CE, FCC, RoHS			

\* Specification and design are subject to change without notice.

NETWORK

HD-SDI

ANALOG

WIRELESS

SENSOR

INDUSTRIAL

# GSC-VCP0604/0608

## Power Over Coax Installation System



GSC-VTP0601(Trans.)



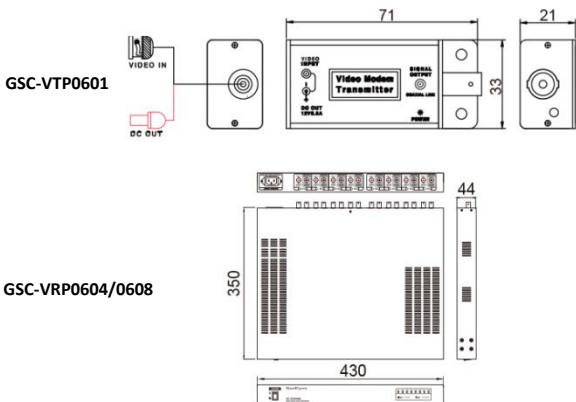
GSC-VRP0604/0608(Receiver)

### FEATURES

- Video + Power Over 1 Single Coax Cable
- Up to 1km Transmission Distance(RG-6)
- Maintain high quality video and excellent interference immunity
- Installation Improvement (Cost saving 25~30%)
- Auto diagnosis for cable status and safe power supply
- Surge Protection Function
- Easy installation with BNC harness

### DIMENSION

(Unit : mm)



### SPECIFICATION

	GSC-VTP0601(Trans.)
Video In	CVBS 1.0Vp-p, 75 ohm
Video Out	Power : DC 12V, 0.67A(Max. 8W)
Bandwidth	8MHz
Trans. Distance	1Km(RG-6)
Port	DC-F & BNC-M Harness(25cm), BNC-F(RF Out)
Temp./Humid.	-10°C ~ +50°C / Under 80%
Material	Aluminum
Dimension	71mm(W) x 33mm(H) x 21mm(D)
Weight	100g

	GSC-VRP0604/0608(Receiver)
Video In/Out	CVBS 1.0Vp-p, 75ohm
Power Input	AC 100 ~ 240V, 50/60Hz / 120W(Max.)
Bandwidth	8MHz
Trans. Distance	Auto Adjustment
Port	Video Output : BNC-M Harness(60Cm), BNC-F(RF In)
Power	AC 100~240V, 50/60Hz, 120W(Max.)
Temp./Humid.	-10°C ~ +50°C / Under 80%
Material	Steel
Dimension	430mm(W) x 44mm(H) x 350mm(D)
Weight	GSC-VRP0604 : 3.5Kg GSC-VRP0608 : 4Kg

\* Specification and design are subject to change without notice.

# GPIS-400

SD IP Video Server, 1CH



## FEATURES

- Triple codec, Simultaneous Multi-Streaming ; H.264, MPEG-4, MJPEG
- Bidirectional Audio ; 2-way, G.711, PCM,  $\mu$ -law 64kbps 8kHz

## SPECIFICATION

GPIS-400	
<b>GENERAL INFO.</b>	
Sensor In/Out	2 / 1
Video Out	CVBS: VBS 1.0 Vp-p / 75 $\Omega$
Power	DC 12V
Material	Aluminum Die-casting
<b>NETWORK</b>	
OS	Embedded Linux
Video Compression	Triple Codec, H.264/MPEG4/MJPEG
Video Streaming	Multi Streaming CBR/VBR (Controllable frame rate and Bandwidth)
Frame Rate	Max.30/25fps for all 4CIF
Audio Compression	Two way, G.711 PCM, $\mu$ -law 64kbps 8kHz
Motion detection	Notification: FTP, e-mail, Alarm out
Alarm	Pre-Post Alarm
Max No. of Clients	10
Support Protocol	
IPv4	ONVIF, TCP/IP, UDP/IP, RTP(UDP), RTSP, NTP, HTTP, HTTPS, SSL, DNS, DDNS, DHCP, FTP, SMTP, ICMP, NMPv1/v2c/v3(MIB-2)
IPv6	TCP/IP, HTTP, HTTPS, DHCP
DDNS	Proprietary: NET4C (PROBE DDNS), Public DDNS services Support: <a href="http://www.dyndns.com">www.dyndns.com</a> , <a href="http://www.no-ip.com">www.no-ip.com</a>
Security	HTTPS(SSL), Digest Authentication(ID/PW)
OS Supported	Windows 7, Vista, XP, 2000
<b>APPERANCE</b>	
Dimension(mm)	117.5(W) x 100(D) x 27(H) mm
Weight	420Kg

\* Above specification is subject to change without prior notice for quality improvement.

NETWORK

HD-SDI

ANALOG

WIRELESS

SENSOR

INDUSTRIAL