



# HD-SDI SYSTEM

---

## CONTENTS

---

- HD-SDI Camera
  - HD-SDI PTZ Camera
  - HD-SDI DVR
  - HD-SDI Installation Solution
-

# HD-SDI Camera Development

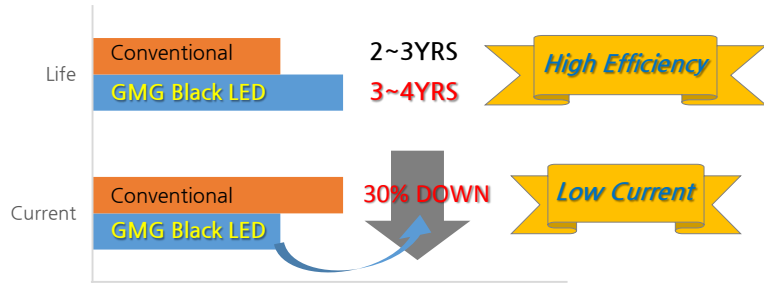
World Best GMG's HD-SDI Cameras have developed with more powerful feature.  
We keep this HD-SDI cameras quality and add some special features physically and software function as well.  
Secure your property with high advanced technology applied GMG's HD-SDI Solutions.

## WHAT'S NEW OF GMG's 2014 Ver. HD-SDI CAMERAS

### 1. BLACK LED



GMG Version - Black LED      Conventional-White LED



All of GMG's surveillance cameras are equipped **BLACK LED** which is very unique and good quality. We have designed black LED board circuit to be input low current for high efficiency, so it will last for longer than normal white LED. Other than point of technology, black LED seems very intense power, and it makes camera's appearance very safer and secured.

### 2. HEATER OPTION for Outdoor Bullet Camera

2014 version New Bullet camera equipped Black LED is available to add heater up to 4pcs. With this option, outdoor usage bullet camera can be more safe at severe cold weather.



### 3. 3<sup>rd</sup> Generation of HD-SDI ISP Chip : TCS Function Added

As a leader of HD-SDI market, we, GMG, has been developing our HD-SDI products consistently. Now we have been released 3<sup>rd</sup> generation of EYENIX ISP chip.

#### What's new in 3<sup>rd</sup> generation HD-SDI camera ?

→ "TCS(Traffic Capture System)" Function added. This is for the camera using at parking lot or capture vehicles. User can set the TCS with various shutter speed, then it can take a snapshot for recognizing moving vehicles' license plate. Now our HD-SDI camera can be used instead of LPR Camera.



# GIDS-1313F *NEW*

## 1.3MP HD-SDI IR-LED Indoor Dome Camera



### FEATURES

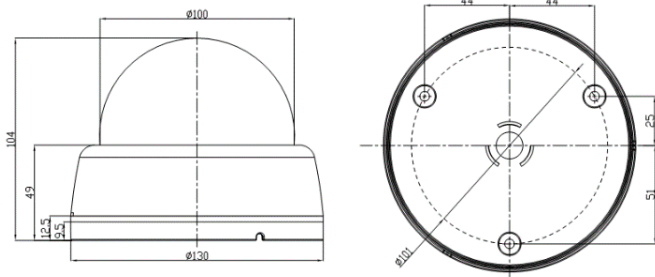
- 1.3MP(1280 x 720) Resolution
- 720P Display with Super Clear & Crisp Image
- 3.7mm MP Fixed Lens Equipped
- **720P Frame Setting Available : 30fps / 60fps**
- High Sensitivity in Dark Area
- True Day & Night Function
- 30pcs **BLACK IR LED** Equipped
- 3-Axis Gimbal
- **CCVC**(Camera Control Via Coax) Available
- DC 12V

### OPTION

- Housing : Vandal, Bullet
- Lens : 2.8-12mm Manual IRIS V/F Lens

### DIMENSION

(Unit : mm)



### SPECIFICATION

GIDS-1313F	
<b>VIDEO</b>	
Sensor	1/3" 1.3MP CMOS Image Sensor
Effective Pixels	1288(H) x 728(V)
Resolution	Selectable (720P @ 60fps or 720P @ 30fps)
Scanning System	Progressive
Video Output	CVBS 1.0 Vp-p(75ohm)/ HD-SDI(SMPTE292M)
<b>LENS</b>	
Focus	Megapixel 3.7mm Fixed Lens
Type	Board
<b>FUNCTIONS</b>	
OSD	Multi Language
Day& Night	AUTO/ BW / COLOR / EXT
BLC	OFF / ON (Level Setting)
Flickerless	OFF / 50Hz / 60Hz
Mirror & Flip	OFF / ON
Etc. Function	EDGE, CONTRAST, ECLIPS, PRIVACY, ETC.,
Night View	25m (IR LED: 30pcs, <b>BLACK LED</b> )
CCVC	Available
<b>OPERATION</b>	
Temp./Humidity	-20°C ~ +70°C / Under 90% RH
<b>POWER</b>	
Input Voltage	DC 12V
Power Consumption	200mA ± 10% / 400mA ± 10% (IR-LED On)
<b>CASE</b>	
Color / Material	Plastic (Dome Cover : Clear)
Dimension	130mm(Φ) X 104mm(H)
Weight	300g

\* Specification and design are subject to change without notice.

NETWORK

HD-SDI

ANALOG

WIRELESS

SENSOR

INDUSTRIAL

# GTSS-2240

## 2MP HD-SDI TDN Box Camera



Panasonic CMOS

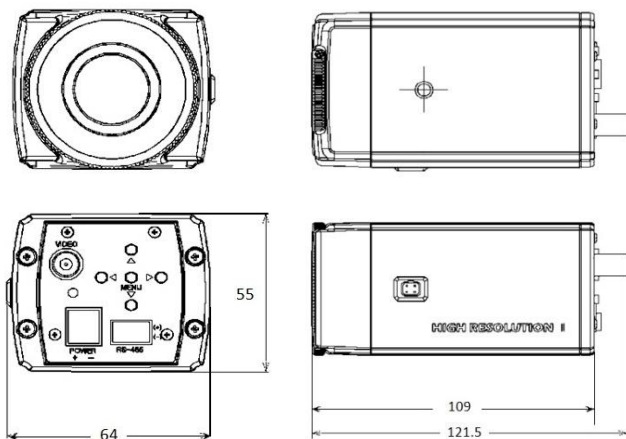
**FULL HD**  
**1920x1080**

### FEATURES

- 2MP(1920 x 1080) High resolution
- Full HD(1080p) Display
- x4.2(2.8~12mm) ICR MP V/F Lens
- Extra Video Cable(BNC)
- WDR Function
- True Day & Night Mechanism
- C/CS Mount Type
- TCS(Traffic Capture System)
- OSD Controller Included
- Dual Power : DC 12V, AC 24V

### DIMENSION

(Unit : mm)



### SPECIFICATION

GTSS-2240

GTSS-2240	
<b>VIDEO</b>	
Sensor	1/3" 2.2MP Panasonic CMOS
Total Pixels	2010(H) x 1108(V)
Effective Pixels	1944(H) x 1092(V)
Resolution	Digital:1080p(30p), 720p(60p)
Min. Illumination (F1.2)	0.02Lux(15 IRE)
S/N Ratio	50dB (AGC OFF)
Sync. System	Internal / Line-Lock
Video Output	CVBS 1.0 Vp-p(75ohm)/ HD-SDI(SMPTE292M)
<b>LENS</b>	
Mount Type	C/CS Mount
Lens Type	DC Auto IRIS
<b>FUNCTIONS</b>	
On Screen Display	Multi Language
Camera ID	OFF / ON (Max. 255)
Day& Night	AUTO/ DAY/ BW / EXT1 / EXT2
WDR	OFF / ON (Level Setting, not available on CVBS output)
D-WDR	OFF / ON
BLC	OFF / ON
AGC	OFF / ON (Level Setting)
DNR	2D+3D DNR(OFF/ON)
White Balance	AUTO/AUTO EXT/ PUSH/MANUAL
Electric Shutter	1/30 ~ 1/60,000sec
D-Zoom	OFF / ON (Level Setting)
ATW	1,800 ~ 10,500K
HLC	OFF / ON (Level Setting)
Motion Detection	OFF / ON (4 Zones)
Privacy Mask	OFF / ON (32 Areas)
SENS-UP	OFF / ON (Level Setting)
Sharpness	OFF / ON (Level Setting)
Etc. Function	Alarm Out, D-WDR, Defog, Smart IR, Deblur, Etc.,
<b>OPERATION</b>	
Temp./Humidity	-20°C ~ +50°C / Under 90% RH
<b>POWER</b>	
Input Voltage	DC 12V
Power Consumption	200mA ± 10%
<b>CASE</b>	
Color / Material	Ivory / Metal
Dimension	64mm(W) X 55mm(H) X 121.5mm(D)
Weight	300g

\* Specification and design are subject to change without notice.

# GIDS-2213

## 2MP HD-SDI IR-LED Indoor Dome Camera



Panasonic CMOS

**FULL HD**  
**1920x1080**

### FEATURES

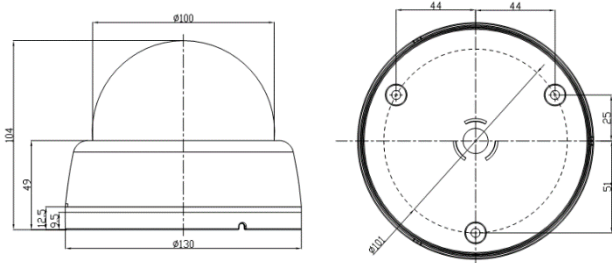
- 2MP(1920 x 1080) High resolution
- Full HD(1080p) Display
- x4.2(2.8~12mm) ICR MP V/F Lens
- Extra Video Cable(BNC)
- WDR Function
- Day & Night (ICR) Function
- **30pcs BLACK LED Equipped**
- 3-Axis Gimbal Bracket
- **TCS(Traffic Capture System)**
- OSD Controller Included

### OPTION

- Housing : Box, Vandal, Bullet, Outdoor Housing
- Lens : 3.6mm Megapixel fixed Lens

### DIMENSION

(Unit : mm)



### SPECIFICATION

GIDS-2213	
<b>VIDEO</b>	
Sensor	1/3" 2.2MP Panasonic CMOS
Total Pixels	2010(H) x 1108(V)
Effective Pixels	1944(H) x 1092(V)
Resolution	Digital:1080p(30p), 720p(60p)
Min. Illumination (F1.2)	0.02Lux(15 IRE) / 0Lux(IR ON)
S/N Ratio	50dB (AGC OFF)
Sync. System	Internal / Line-Lock
Video Output	CVBS 1.0 Vp-p(75ohm) / HD-SDI(SMPTE292M)
<b>LENS</b>	
Focus	2.8~12mm (x4.2 Megapixel Vari-focal Lens)
Type	Manual
Lens Type	DC Auto IRIS
<b>FUNCTIONS</b>	
On Screen Display	Multi Language
Camera ID	OFF / ON(Max. 255)
Day& Night	AUTO/ DAY/ BW / EXT1 / EXT2
WDR	OFF / ON (Level Setting, not available on CVBS output)
D-WDR	OFF / ON
BLC	OFF / ON
AGC	OFF / ON (Level Setting)
DNR	2D+3D DNR(OFF/ON)
White Balance	AUTO/AUTO EXT/ PUSH/MANUAL
Electric Shutter	1/30 ~ 1/60,000sec
D-Zoom	OFF / ON (Level Setting)
ATW	1,800 ~ 10,500K
HLC	OFF / ON (Level Setting)
Motion Detection	OFF / ON (4 Zones)
Privacy Mask	OFF / ON (32 Areas)
SENS-UP	OFF / ON (Level Setting)
Sharpness	OFF / ON (Level Setting)
Etc. Function	Alarm Out, D-WDR, Defog, Smart IR, Deblur, Etc.,
Night View	30m (IR LED: 30, BLACK LED)
<b>OPERATION</b>	
Temp./Humidity	-20°C ~ +50°C / Under 90% RH
<b>POWER</b>	
Input Voltage	DC 12V
Power Consumption	200mA ± 10% / 600mA ± 10% (IR-LED On)
<b>CASE</b>	
Color / Material	Plastic (Dome Cover : Clear)
Dimension	130mm(Φ) X 100mm(H)
Weight	400g

\* Specification and design are subject to change without notice.

NETWORK

HD-SDI

ANALOG

WIRELESS

SENSOR

INDUSTRIAL

# GIVS-2213/GFVS-2213

## 2MP HD-SDI Vandal Dome Camera



GIVS-2213



GFVS-2213

Panasonic CMOS

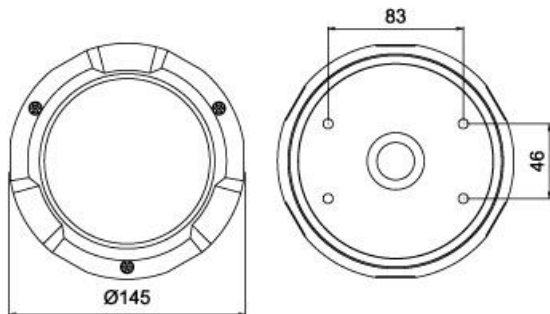
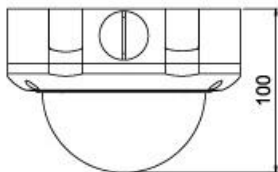
**FULL HD**  
**1920x1080**

### FEATURES

- 2MP(1920 x 1080) High resolution
- Full HD(1080p) Display
- x4.2(2.8~12mm) ICR MP V/F Lens
- Extra Video Cable(BNC)
- Single Scan WDR Function
- Day & Night (ICR) Function
- 28pcs BLACK LED Equipped
- 3-Axis Gimbal Bracket
- TCS(Traffic Capture System)
- IP66/Vandal Proof Housing
- Equipped OSD Controller assembled with RCA Output Port

### DIMENSION

(unit : mm)



### SPECIFICATION

	GIVS-2213	GFVS-2213
<b>VIDEO</b>		
Sensor	1/3" 2.2MP Panasonic CMOS	
Total Pixels	2010(H) x 1108(V)	
Effective Pixels	1944(H) x 1092(V)	
Resolution	Digital:1080p(30p), 720p(60p)	
Min. Illumination (F1.2)	0.02Lux(15 IRE)/ 0Lux(IR ON)	0.02Lux(15 IRE)
S/N Ratio	50dB (AGC OFF)	
Sync. System	Internal / Line-Lock	
Video Output	CVBS 1.0 Vp-p(75ohm)/ HD-SDI(SMPTE292M)	
<b>LENS</b>		
Focus	2.8~12mm (x4.2 Megapixel Vari-focal Lens)	
Lens Type	DC Auto IRIS	
<b>FUNCTIONS</b>		
On Screen Display	Multi Language	
Camera ID	OFF / ON(Max. 255)	
Day& Night	AUTO/ DAY/ BW / EXT1 / EXT2	
WDR	OFF / ON (Level Setting, not available on CVBS output)	
D-WDR	OFF / ON	
BLC	OFF / ON	
AGC	OFF / ON (Level Setting)	
DNR	2D+3D DNR(OFF/ON)	
White Balance	AUTO/AUTO EXT/ PUSH/MANUAL	
Electric Shutter	1/30 ~ 1/60,000sec	
D-Zoom	OFF / ON (Level Setting)	
ATW	1,800 ~ 10,500K	
HLC	OFF / ON (Level Setting)	
Motion Detection	OFF / ON (4 Zones)	
Privacy Mask	OFF / ON (32 Areas)	
SENS-UP	OFF / ON (Level Setting)	
Sharpness	OFF / ON(Level Setting)	
Etc. Function	Alarm Out, D-WDR, Defog, Smart IR, Deblur, Etc.,	
Night View	25m (IR LED: 28, BLACK LED)	-
<b>OPERATION</b>		
Temp./Humidity	-20°C ~ +50°C / Under 90% RH	
IP Rate	IP66	
<b>POWER</b>		
Input Voltage	DC 12V	
Power Consumption	200mA ± 10% 450mA ± 10% (IR-LED On)	200mA ± 10%
<b>CASE</b>		
Color / Material	Silver / Metal (Dome Cover : Poly Carbonate)	
Dimension	145mm(Φ) X 100mm(H)	
Weight	1.2Kg	1.1Kg

\* Specification and design are subject to change without notice.

NETWORK

HD-SDI

ANALOG

WIRELESS

SENSOR

INDUSTRIAL

# GIBS-2230

## 2MP HD-SDI Outdoor Bullet Camera



Panasonic CMOS

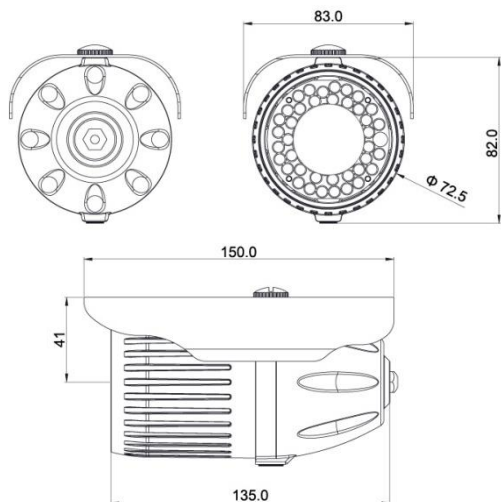
**FULL HD**  
**1920x1080**

### FEATURES

- 2MP(1920 x 1080) High resolution
- Full HD(1080p) Display
- x4.2(2.8~12mm) ICR MP V/F Lens
- Extra Video Cable(BNC)
- **Single Scan WDR Function**
- Day & Night (ICR) Function
- **30pcs BLACK LED Equipped(Heater up to 4ea, Option)**
- 3-Axis Concealed Bracket
- **TCS(Traffic Capture System)**
- IP67 Rated
- **Equipped OSD Controller assembled with RCA Output Port**
- Housing Option
  - ; External Adjustment Control(Zoom & Focus) Housing

### DIMENSION

(unit : mm)



### SPECIFICATION

#### GIBS-2230

GIBS-2230	
<b>VIDEO</b>	
Sensor	1/3" 2.2MP Panasonic CMOS
Total Pixels	2010(H) x 1108(V)
Effective Pixels	1944(H) x 1092(V)
Resolution	Digital:1080p(30p), 720p(60p)
Min. Illumination	0.02Lux(15 IRE)/ 0Lux(IR ON), F1.2
S/N Ratio	50dB (AGC OFF)
Sync. System	Internal / Line-Lock
Video Output	CVBS 1.0 Vp-p(75ohm)/ HD-SDI(SMPTE292M)
<b>LENS</b>	
Focus	2.8~12mm (x4.2 Megapixel Vari-focal Lens)
Type	Manual
Lens Type	DC Auto IRIS
<b>FUNCTIONS</b>	
On Screen Display	Multi Language
Camera ID	OFF / ON(Max. 255)
Day& Night	AUTO/ DAY/ BW / EXT1 / EXT2
WDR	OFF / ON (Level Setting, not available on CVBS output)
D-WDR	OFF / ON
BLC	OFF / ON
AGC	OFF / ON (Level Setting)
DNR	2D+3D DNR(OFF/ON)
White Balance	AUTO/AUTO EXT/ PUSH/MANUAL
Electric Shutter	1/30 ~ 1/60,000sec
D-Zoom	OFF / ON (Level Setting)
ATW	1,800 ~ 10,500K
HLC	OFF / ON (Level Setting)
Motion Detection	OFF / ON (4 Zones)
Privacy Mask	OFF / ON (32 Areas)
SENS-UP	OFF / ON (Level Setting)
Sharpness	OFF / ON(Level Setting)
Etc. Function	Alarm Out, D-WDR, Defog, Smart IR, Deblur, Etc.,
Night View	30m(IR LED: 30, BLACK LED) -
<b>OPERATION</b>	
Temp./Humidity	-20°C ~ +50°C / Under 90% RH
IP Rate	IP67
<b>POWER</b>	
Input Voltage	DC 12V
Power Consumption	200mA ± 10% / 600mA ± 10% (IR-LED On)
<b>CASE</b>	
Color / Material	Grey(Two Tone) / Aluminum (Head : Glass)
Dimension	83mm(W) 82mm(H) x 150mm(D)
Weight	700g

\* Specification and design are subject to change without notice.

# GOHS-2250IR

## 2MP HD-SDI Outdoor Housing Camera



Panasonic CMOS

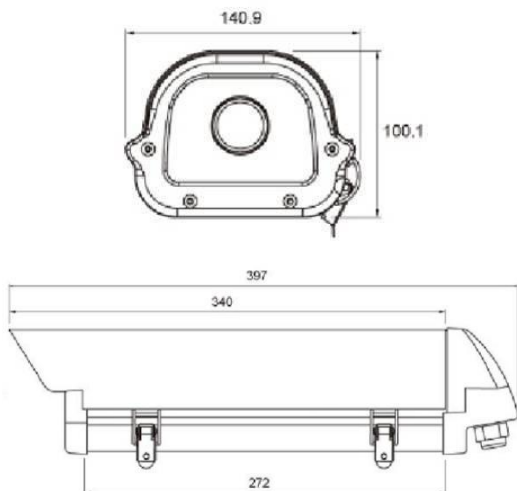
**FULL HD**  
**1920x1080**

### FEATURES

- 2MP(1920 x 1080) High resolution
- Full HD(1080p) Display
- 3.5 ~ 16mm ICR MP V/F Lens
- Single Scan WDR Function
- Day & Night (ICR) Function
- 90pcs IR-LED Equipped
- TCS(Traffic Capture System)
- IP66 Rated
- OSD Controller Included
- Wall-mount Bracket Included

### DIMENSION

(unit : mm)



### SPECIFICATION

	GOHS-2250IR
<b>VIDEO</b>	
Sensor	1/3" 2.2MP Panasonic CMOS
Total Pixels	2010(H) x 1108(V)
Effective Pixels	1944(H) x 1092(V)
Resolution	Digital:1080p(30p), 720p(60p)
Min. Illumination	0.02Lux(15 IRE)/ 0Lux(IR ON), F1.2
S/N Ratio	50dB (AGC OFF)
Sync. System	Internal / Line-Lock
Video Output	CVBS 1.0 Vp-p(75ohm)/ HD-SDI(SMPTE292M)
<b>LENS</b>	
Focus	3.5~16mm
Type	Manual
Lens Type	DC Auto IRIS
<b>FUNCTIONS</b>	
On Screen Display	Multi Language
Camera ID	OFF / ON(Max. 255)
Day& Night	AUTO/ DAY/ BW / EXT1 / EXT2
WDR	OFF / ON (Level Setting, not available on CVBS output)
D-WDR	OFF / ON
BLC	OFF / ON
AGC	OFF / ON (Level Setting)
DNR	2D+3D DNR(OFF/ON)
White Balance	AUTO/AUTO EXT/ PUSH/MANUAL
Electric Shutter	1/30 ~ 1/60,000sec
D-Zoom	OFF / ON (Level Setting)
ATW	1,800 ~ 10,500K
HLC	OFF / ON (Level Setting)
Motion Detection	OFF / ON (4 Zones)
Privacy Mask	OFF / ON (32 Areas)
SENS-UP	OFF / ON (Level Setting)
Sharpness	OFF / ON(Level Setting)
Etc. Function	Alarm Out, D-WDR, Defog, Smart IR, Deblur, Etc.,
IR-LED	90pcs
<b>OPERATION</b>	
Temp./Humidity	-20°C ~ +50°C / Under 90% RH
IP Rate	IP66
<b>POWER</b>	
Input Voltage	DC 12V
Power Consumption	400mA ± 10%, 1.5A ± 10%(LED On)
<b>CASE</b>	
Color / Material	Ivory / Metal
Dimension	1,409mm(W) x 1,001mm(H) x 3,970mm(D)
Weight	1.3Kg(Including Bracket)

\* Specification and design are subject to change without notice.



# GMH-3U Series

## Full HD Realtime Recording Coax Combo DVR

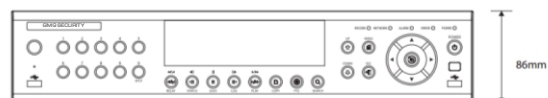


### FEATURES

- 4/8/16CH HD-SDI Realtime Recording Coax Combo DVR
- Realtime Recording @ Full HD(1080P) Capability
- Coax Combo : HD-SDI + Analog
- Various Data Storage : 3 SATA HDD, 1 eSATA, 1 DVD
- iSCSI Recording Supported
- RAID 1/5(Optional)
- Network Function : DDNS, DHCP, UPNP
- 2-way Audio, Alarm, ATM, POS
- User-friendly Design
- Bundled Software : CMS, RMS, Mac Viewer, Web Client
- Smartphone Viewer Application(Android/iPhone/iPad)

### DIMENSION

(unit : mm)



### SPECIFICATION

		GMH3-04U	GMH3-08U	GMH3-16U
<b>DISPLAY</b>				
VIDEO	CH	4	8	16
	Mode	HD-SDI, Analog		
	Speed	Realtime(Max. 30fps/CH)		
DISPLAY	Resolution	Full HD, XGA, SDTV(720/480/576)		
	Screen	1 / 4 / 9 / 16 / SEQ / BIG (Live), 1 / 4 / 9 / 16 (Play Back)		
<b>FUNCTION</b>				
Operation System		Embedded Linux		
Universal Channel		All Supported		
REC.	Compression	H.264		
	Speed	Realtime Recording @1080P, 720P, 960H, D1, CIF		
	Mode	Scheduled, Sensor-Activated & Motion Detection, Audio		
	Quality	5 Level		
	Bit Rate	Max. 5Mbps/Ch		
Play back	iSCSI	Support		
	Search	Go to first rec. time, Go to last rec. time, Go to last search time, Calendar, Log viewer, Smart search, Multi-time & day search, Event search		
	Speed	x1 ~ x32, x300		
Network	Mode	Event only playback, Backward, Pause, Frame by frame, Panorama		
	Interface	Ethernet 10/100/1G		
	Compression	H.264 or JPEG		
Back-up	Speed	Max. 720P 10fps/CH		
	Resolution	Max. 1280 x 720P		
	Mode	Bandwidth Control		
	Format	Video Clip(Backup Viewer), JPEG Image, Log, Setup		
PTZ / Keyboard	2 x RS-485			
POS/ATM	RS-232C - Terminal Block, Ethernet POS			
Software	CMS, RMS, Mac Viewer, Smartphone APP(3G/4G)			
<b>INTERFACE</b>				
Video Output	VGA	1 VGA (1280 x 1024, 1024 x 768, 800 x 600)		
	HDMI	1 HDMI (720P/1080P)		
	BNC	1 BNC		
	Spot	1 BNC		
Audio	Compression	G.711u, Two-way		
	Input	4CH	8CH	16CH
	Output	1 x HDMI, 1 x RCA		
	Bit Rate	32Kbps		
Alarm	Input / Output	4CH / 1CH - NC/NO/EOL		
	Pre/Post Alarm	5sec / 5sec ~ 5min		
	Motion Grid	32 x 24 (NTSC/PAL)		
Interface	Action	E-mail, CH Popup, Buzzer, Relay, PTZ Preset, Spot Remote CMS, Front LED		
	Ethernet	1 RJ45		
GENERAL INFO.	Data	RS-485		
	USB	USB 2.0		
	eSATA	1		
	Operation	Mouse, Remote Controller, Front Button		
Power	60Watt, 12V / 5A - Level 5			
Operating Temp./Hum.	5°C ~ +40°C / Under 80% RH			
Dimension(mm)	430mm(W) x 86mm(H) x 270mm(H)			
Weight(kg)	4KG(Without HDD)			
Certificate	HDcctv, CE, FCC, RoHS			

\* Specification and design are subject to change without notice.

NETWORK

HD-SDI

ANALOG

WIRELESS

SENSOR

INDUSTRIAL

# GSH-3U Series

## Full HD Realtime Recording Coax Combo DVR

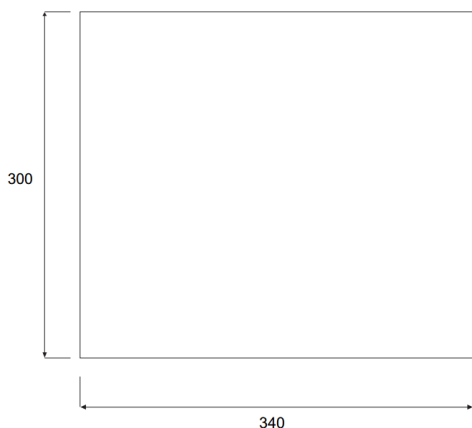


### FEATURES

- 4/8/16CH HD-SDI Realtime Recording Coax Combo DVR
- Realtime Recording @ Full HD(1080P) Capability
- Coax Combo : HD-SDI + Analog
- Various Data Storage : 2 HDD or 1 HDD + 1 eSATA
- iSCSI Recording Supported
- Network Function : DDNS, DHCP, UPNP
- 2-way Audio, Alarm, ATM, POS
- User-friendly Design
- Bundled Software : CMS, RMS, Mac Viewer, Web Client
- Smartphone Viewer Application(Android/iPhone/iPad)

### DIMENSION

(unit : mm)



### SPECIFICATION

		GSH3-04U	GSH3-08U	GSH3-16U
<b>DISPLAY</b>				
VIDEO	CH	4	8	16
	Mode	HD-SDI, Analog		
	Speed	Realtime(Max. 30fps/CH)		
DISPLAY	Resolution	Full HD, XGA, SDTV(720/480/576)		
	Screen	1 / 4 / 9 / 16 / SEQ / BIG (Live), 1 / 4 / 9 / 16 (Play Back)		
<b>FUNCTION</b>				
Operation System		Embedded Linux		
Universal Channel		All Supported		
REC.	Compression	H.264		
	Speed	Realtime Recording @1080P, 720P, 960H, D1, CIF		
	Mode	Scheduled, Sensor-Activated & Motion Detection, Audio		
	Quality	5 Level		
	Bit Rate	Max. 5Mbps/CH, Adjustable		
Play back	iSCSI	Support		
	Search	Go to first rec. time, Go to last rec. time, Go to last search time, Calendar, Log viewer, Smart search, Multi-time & day search, Event search		
	Speed	x1 ~ x32, x300		
Network	Mode	Event only playback, Backward, Pause, Frame by frame, Panorama		
	Interface	10/100/1G		
	Compression	H.264 or JPEG		
	Speed	Max. 720P 10fps/CH		
	Resolution	Max. 1280 x 720P		
Back-up	Mode	Bandwidth Control		
	Interface	USB, DVD, Network		
	Internal HDD	2 x HDD or 1 x HDD + 1 eSATA		
	External HDD	1 x eSATA(Optional)		
	H/W RAID	N/A		
	DVD	N/A		
PTZ / Keyboard		2 x RS-485		
POS/ATM		RS-232C - Terminal Block, Ethernet POS		
Software		CMS, RMS, Mac Viewer, Smartphone APP(3G/4G)		
<b>INTERFACE</b>				
Video Output	VGA	1 VGA (1280 x 1024, 1024 x 768, 800 x 600)		
	HDMI	1 HDMI (720P/1080P)		
	BNC	1 BNC		
	Spot	1 BNC		
Audio	Compression	G.711u, Two-way		
	Input	4CH	8CH	16CH
	Output	1 x HDMI, 1 x RCA		
	Bit Rate	32Kbps		
Alarm	Input / Output	4CH / 1CH - NC/NO/EOL		
	Pre/Post Alarm	5sec / 5sec ~ 5min		
	Motion Grid	32 x 24(NTSC/PAL)		
	Action	E-mail, CH Popup, Buzzer, Relay, PTZ Preset, Spot Remote CMS, Front LED		
Interface	Ethernet	1 RJ45		
	Data	RS-485		
	USB	USB 2.0		
	eSATA	1		
Operation		Mouse, Remote Controller, Front Button		
<b>GENERAL INFO.</b>				
Power		40Watt, 12V / 5A - Level 5		
Operating Temp./Hum.		5°C ~ +40°C / Under 80% RH		
Dimension(mm)		340mm(W) x 59mm(H) x 300mm(H)		
Weight(kg)		3KG(Without HDD)		
Certificate		HDcctv, CE, FCC, RoHS		

\* Specification and design are subject to change without notice.

# GSC-HCP0604/0608

## HD-SDI Power Over Coax



GSC-HDP0801(Tx.)



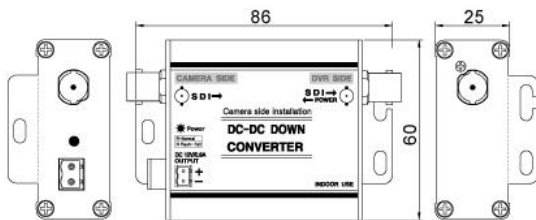
GSC-HRP0604/08(Rx.)

### FEATURES

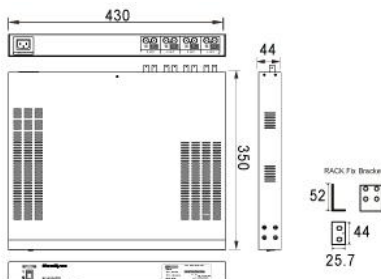
- Transmitting Power + HDMI over 1 Coax Cable
- Transmission Distance can be extended by using Repeater
- Supplying Power to HD-SDI Camera(DC12V/8W)
- Max. 200m Transmission using RG6 Cable
- Self-diagnosis for the Cable Status and Safe Power Supply
- Installation Improvement : Cost Saving (30-50%)
- GSC-HCP0604 : 4CH HD-SDI PoC
- GSC-HCP0608 : 8CH HD-SDI PoC

### DIMENSION

GSC-HDP0801(Tx.)



GSC-HRP0604/0608(Rx.)



### SPECIFICATION

GSC-HDP0801(Tx.)	
Video In/Out	HD-SDI (SMPTE 292M)
Video In/Out Port	BNC-F
Power In	DC 48V over Coax
Power Out	DC 12V, 1.0A(Max. 12W) for HD-SDI Camera
Temp./Humid.	-10°C ~ +50°C / 80%
Material	Aluminum
Dimension	86mm(W) x 60mm(H) x 25mm(D)
Weight	100g

GSC-HRP0604/08(Rx.)	
Video In/Out	HD-SDI (SMPTE 292M) Max. 200m(Full HD:1.5G, 5C-HFBT)
HDMI/SDI In/Out	HD-SDI : BNC-F, 75ohm
AC Input	3pin INLET
DIP SW	ON : Power + SDI / OFF : SDI Only
Power Source	AC 100~240V
Power Consump.	GSC-HRP0604 : 4W GSC-HRP0608 : 8W
Temp./Humid.	-10°C ~ +50°C / 80%
Material	Steel
Dimension	430mm(W) x 44mm(H) x 350mm(D)
Weight	3.5kg

\* Specification and design are subject to change without notice.

NETWORK

HD-SDI

ANALOG

WIRELESS

SENSOR

INDUSTRIAL