



NETWORK SYSTEM

CONTENTS

- IP Camera
 - IP PTZ Camera
 - S/A NVR
 - Window Type NVR
-

SPECIAL FEATURE OF PTZ CAMERA

1. Auto Map Function of GMG IP PTZ Camera



After installing GMG IP PTZ Camera, user can make camera to generate the scenery, and the Auto-map function is the easiest way to control the PTZ in an intuitive manner. If you click the Auto-map popup button in the web viewer of GMG IP PTZ cameras, the Auto map window will appear as shown in the video left.

GMG IP PTZ Camera is implementing this remarkable function by 3-Axis Joystick. User can decide PT direction by right clicking the image and change the zoom in out by scrolling mouse wheel. The PT speeds are proportional to how much you deviate mouse from the center. Using this function, control of PTZ is done in an instinctive manner.

2. Micro-stepping Technology

Due to the Micro-stepping technology, one step angle is divided by 256. Accordingly, high accuracy as well as ultra low sound noise (under 60dB) can be achieved. Micro-stepping technology enables ultra low speed down to 0.05°/s for high zoom operations. Utilizing this technology, pan and tilt motion can be controlled with 1/256 finer step resolution and accordingly lower noise and vibrations.

As a result, ultimate low speed without fluctuations as well as ultra high speed without jerks can be obtained.

GMG INDUSTRIAL USAGE OF NVR SERIES



INDUSTRIAL APPLICATION "GNVR Series"

(4/9/16/25/36CH)

Ex.) Bank, Officials, Casino

GMG SECURITY has been developed Window embedded NVR for industrial market. This high advanced NVR has been designed to set up IP System very easily, and it has been integrated some cameras to implement special features such as People count (AXIS) and Auto Map function (GMG IP PTZ Camera). If user wants to secure their property with more powerful performance and functions, GMG's Industrial version NVR is the answer!

GRIN-0012

2MP IP Box Camera



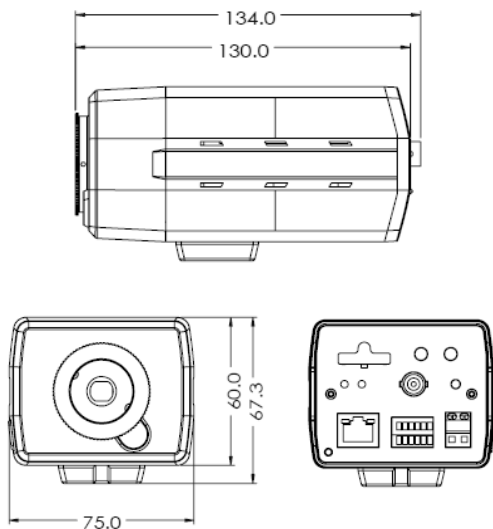
Full HD
1920x1080

FEATURES

- 2Megapixel Full HD Resolution
- Triple Codec, Multi Streaming : H.264, MPEG-4, MJPEG
- C/CS Mount
- DNR, WDR Function
- TDN function
- Bidirectional Audio Support
- Local SD Card Backup
- ONVIF Supported
- DC 12V, PoE

DIMENSION

(unit : mm)



SPECIFICATION

GRIN-0012	
VIDEO	
Sensor	1/2.8" 2MP SONY Progressive Scan CMOS
Effective Pixels	1920(H) x 1080(V)
Min. Illumination	Color : 0.5Lux / BW : 0.01Lux@F1.2, 30IRE
S/N Ratio	50dB (AGC OFF)
FUNCTION	
On Screen Display	Multi Language
Day& Night	Auto / Day / Night(ICR)
BLC / WDR	OFF / WDR / BLC
AGC	Max. 41dB
DNR	OFF / MID / HIGH
White Balance	Auto / Preset / Manual
Electric Shutter	1/30 ~ 1/60,000sec
DSS(Sens-Up)	Max. x4
Other Function	Image Flip, Mirror
Sensor In / Out	1 / 1
NETWORK	
OS	Embedded Linux
Video Codec	H.264, MPEG-4, MJPEG/ Triple Codec
Video Streaming	Multi Streaming CBR/VBR (Control frame rate and Bandwidth)
Resolution	All Codec : 1080P/720P/D1/CIF, MJPEG : QCIF
Frame Rate	Max. 30/25fps @1080P/720P/D1/CIF
Audio Codec	Two way, G.711, PCM, μ -law 64kbps 8kHz
Protocol	IPv4 : ONVIF, TCP/IP, UDP/IP, RTP(UDP), RTSP, NTP, HTTP, HTTPS, SSL, DNS, DDNS, DHCP, FTP, SMTP, ICMP, SNMPv1/v2/v3(MIB-2) IPv6 : TCP/IP, HTTP, HTTPS, DHCP
ONVIF	Support
Memory Slot	SD/SDHC Memory Slot
Alarm	Pre-Post Alarm
Motion Detection	Notification : FTP, E-mail, Alarm Out, JPEG Recording on SD
Max. User	5 User(HTTP web server)
OS Supported	Windows 7, Vista, XP, 2000
GENERAL	
Temperature	-10°C ~ +50°C
Power	DC 12V, 6W, PoE 802.3af
Material/Color	Aluminum / Grey
Certificate	FCC, CE, IP66, RoHS
Dimension	130mm(W) x 75mm(H) x 65mm(D)
Weight	500g

* Specification and design are subject to change without notice.

NETWORK

HD-SDI

ANALOG

WIRELESS

SENSOR

INDUSTRIAL

GBDHN-0812-R

2MP x8 Zoom IP Bullet Camera



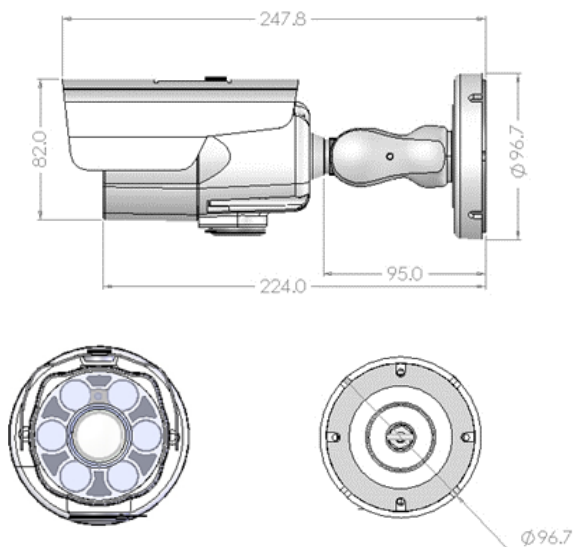
FULL HD
1920x1080

FEATURES

- 2Megapixel Full HD Resolution
- Triple Codec, Multi Streaming : H.264, MPEG-4, MJPEG
- 6.3~50mm DC Auto IRIS ICR Lens, Auto Focus
- 96x Zoom(x8 Optical, x12 Digital)
- DNR, WDR Function
- Day & Night (ICR)
- 6pcs High Power LED for 70m Night View
- IP66 Rated Weather proof Design
- ONVIF Supported
- DC 12V, PoE

DIMENSION

(unit : mm)



SPECIFICATION

GBDHN-0812-R

VIDEO	
Sensor	1/2.8" 2MP SONY Progressive Scan CMOS
Total Pixels	1920(H) x 1080(V)
Min. Illumination	Color : 0.1Lux / IR LED ON : 0Lux
LENS	
Focal Length	6.3~50mm, F3.5 ~ F4.0
Horizontal Angle	50.3° (W) ~ 6.5° (T)
Type	DC Auto IRIS ICR Lens, Zoom Lens
Focus	Auto / Manual
FUNCTION	
On Screen Display	Multi Language
Day& Night	Auto / Day / Night(ICR)
BLC	OFF / WDR / BLC / HLM
AGC	Max 41dB
DNR	OFF / LOW / MID / HIGH
White Balance	Auto / Auto Ext. / Indoor / Outdoor / One Push Mode / Manual
Electric Shutter	1/30(25) ~ 1/60,000sec
DSS(Sens-Up)	Max. x8
IR-LED	6pcs High Power LED
Other Function	Image Flip, Mirror, Privacy Masking
Audio In / Out	1 / 1
Alarm In / Out	1 / 1
NETWORK	
OS	Embedded Linux
Video Codec	H.264, MPEG-4, MJPEG/ Triple Codec
Video Streaming	Multi Streaming CBR/VBR (Control frame rate and Bandwidth)
Resolution	All Codec : 1080P/720P/D1/CIF, MPEG4 : 720P/D1/CIF
Frame Rate	Max. 30/25fps @1080P/720P/D1/CIF
Audio Codec	Two way, G.711, PCM, μ -law 64kbps 8kHz
Protocol	IPv4 : ONVIF, TCP/IP, UDP/IP, RTP(UDP), RTSP, NTP, HTTP, HTTPS, SSL, DNS, DDNS, DHCP, FTP, SMTP, ICMP, SNMPv1/v2/v3(MIB-2) IPv6 : TCP/IP, HTTP, HTTPS, DHCP
ONVIF	Support
Memory Slot	SD/SDHC Memory Slot
Alarm	Pre-Post Alarm
Motion Detection	Notification : FTP, E-mail, Alarm Out, JPEG Recording on SD
Max. User	10 User(HTTP web server)
OS Supported	Windows 7, Vista, XP, 2000
GENERAL INFO.	
Temperature	-30°C ~ +50°C
Power	DC 12V, 24W \pm 10%, High PoE 802.3at
Material/Color	Aluminum / Dark Grey
Certificate	FCC, CE, IP66, RoHS
Dimension	247.8mm(W) x 96.7mm(H)
Weight	2Kg

* Specification and design are subject to change without notice.

NETWORK

HD-SDI

ANALOG

WIRELESS

SENSOR

INDUSTRIAL

GBDN-A1052

2MP x8 Zoom IP Bullet Camera



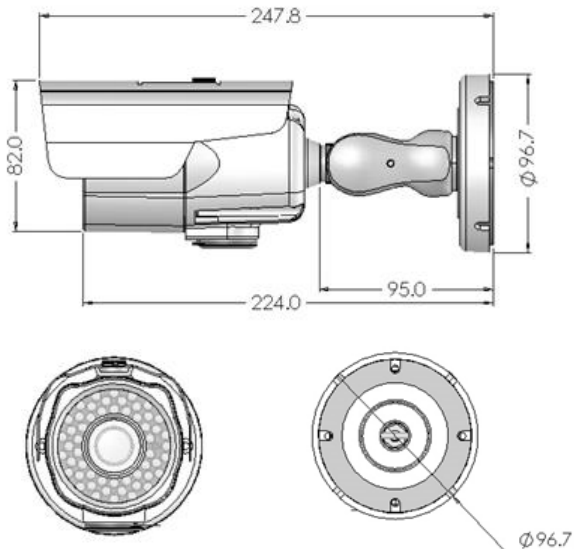
FULL HD
1920x1080

FEATURES

- 2Megapixel Full HD Resolution
- Triple Codec, Multi Streaming : H.264, MPEG-4, MJPEG
- 3.0~10.5mm DC Auto IRIS ICR Lens, *Auto Focus*
- x8 Optical Zoom, x12 Digital Zoom
- DNR, WDR Function
- Day & Night (ICR)
- 55pcs IR-LED
- IP66 Rated Weather proof Design
- ONVIF Supported
- DC 12V, PoE

DIMENSION

(unit : mm)



SPECIFICATION

GBDN-A1052	
VIDEO	
Sensor	1/2.8" 2MP SONY Progressive Scan CMOS
Total Pixels	1920(H) x 1080(V)
Min. Illumination	Color : 0.1Lux / IR LED ON : 0Lux
S/N Ratio	50dB (AGC OFF)
LENS	
Focal Length	3.0~10.5mm, F3.5 ~ F4.0
Horizontal Angle	50.3°(W) ~ 6.5°(T)
Type	DC Auto IRIS ICR Lens, Zoom Lens
Focus	Auto / Manual
FUNCTION	
On Screen Display	Multi Language
Day& Night	Auto / Day / Night(ICR)
BLC	OFF / WDR / BLC / HLM
AGC	Max. 41dB
DNR	OFF / MID / HIGH
White Balance	Auto / Manual / Indoor / Outdoor / Preset
Electric Shutter	1/30(25) ~ 1/60,000sec
DSS(Sens-Up)	Max. x8
IR-LED	55pcs IR-LED
Other Function	Image Flip, Mirror, Privacy Masking
Alarm In / Out	1 / 1
NETWORK	
OS	Embedded Linux
Video Codec	H.264, MPEG-4, MJPEG/ Triple Codec
Video Streaming	Multi Streaming CBR/VBR (Control frame rate and Bandwidth)
Resolution	All Codec : 1080P/720P/D1/CIF, MJPEG : QCIF
Frame Rate	Max. 30/25fps @1080P/720P/D1/CIF
Audio Codec	Two way, G.711, PCM, μ -law 64kbps 8kHz
Protocol	IPv4 : ONVIF, TCP/IP, UDP/IP, RTP(UDP), RTSP, NTP, HTTP, HTTPS, SSL, DNS, DDNS, DHCP, FTP, SMTP, ICMP, SNMPv1/v2/v3(MIB-2) IPv6 : TCP/IP, HTTP, HTTPS, DHCP
ONVIF	Support
Memory Slot	SD/SDHC Memory Slot
Alarm	Pre-Post Alarm
Motion Detection	Notification : FTP, E-mail, Alarm Out, JPEG Recording on SD
Max. User	10 User(HTTP web server)
OS Supported	Windows 7, Vista, XP, 2000
GENERAL INFO.	
Temperature	-30°C ~ +50°C
Power	DC 12V, 12W \pm 10%, PoE 802.3af
Material/Color	Aluminum / Dark Grey
Certificate	FCC, CE, IP66, RoHS
Dimension	247.8mm(W) x 82mm(H)
Weight	2Kg

* Specification and design are subject to change without notice.

NETWORK

HD-SDI

ANALOG

WIRELESS

SENSOR

INDUSTRIAL

GBFN-B402

2MP IP Mini Bullet Camera



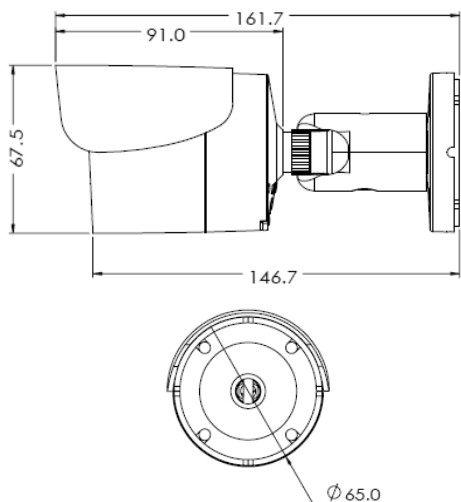
FULL HD
1920x1080

FEATURES

- 2Megapixel Full HD Resolution
- Triple Codec, Multi Streaming : H.264, MPEG-4, MJPEG
- 4mm Fixed Lens
- DNR, WDR Function
- Day & Night (ICR)
- 24pcs IR-LED
- IP66 Rated Weather proof Design
- ONVIF Supported
- DC 12V, PoE

DIMENSION

(unit : mm)



SPECIFICATION

GBFN-B402	
VIDEO	
Sensor	1/2.8" 2MP SONY Progressive Scan CMOS
Effective Pixels	1920(H) x 1080(V)
Min. Illumination	Color : 0.5Lux / IR LED ON : 0Lux
S/N Ratio	50dB (AGC OFF)
LENS	
Focal Length	4mm, F1.8
Horizontal Angle	86°
Type	Fixed Lens
Focus	Manual
FUNCTION	
On Screen Display	Multi Language
Day& Night	Auto / Day / Night(ICR)
BLC / WDR	OFF / WDR / BLC
AGC	Max. 41dB
DNR	OFF / MID / HIGH
White Balance	Auto / Manual / Indoor / Outdoor / Preset
Electric Shutter	1/30 ~ 1/60,000sec
DSS(Sens-Up)	Max. x8
IR-LED	24pcs IR-LED
Other Function	Image Flip, Mirror
Alarm In / Out	1 / 1
NETWORK	
OS	Embedded Linux
Video Codec	H.264, MPEG-4, MJPEG/ Triple Codec
Video Streaming	Multi Streaming CBR/VBR (Control frame rate and Bandwidth)
Resolution	All Codec : 1080P/720P/D1/CIF, MJPEG : QCIF
Frame Rate	Max. 30/25fps @1080P/720P/D1/CIF
Audio Codec	Two way, G.711, PCM, μ -law 64kbps 8kHz
Protocol	IPv4 : ONVIF, TCP/IP, UDP/IP, RTP(UDP), RTSP, NTP, HTTP, HTTPS, SSL, DNS, DDNS, DHCP, FTP, SMTP, ICMP, SNMPv1/v2/v3(MIB-2) IPv6 : TCP/IP, HTTP, HTTPS, DHCP
ONVIF	Support
Memory Slot	SD/SDHC Memory Slot
Alarm	Pre-Post Alarm
Motion Detection	Notification : FTP, E-mail, Alarm Out, JPEG Recording on SD
Max. User	5 User(HTTP web server)
OS Supported	Windows 7, Vista, XP, 2000
GENERAL	
Temperature	-20°C ~ +50°C
Power	DC 12V, 500mA \pm 10%, PoE 802.3af
Material/Color	Aluminum / Dark Grey
Certificate	FCC, CE, IP66, RoHS
Dimension	161.7mm(W) x 67.5mm(H) x 65mm(ϕ)
Weight	500g

* Specification and design are subject to change without notice.

NETWORK

HD-SDI

ANALOG

WIRELESS

SENSOR

INDUSTRIAL

GPXN-0512

2MP 5x Full HD IP PTZ Camera



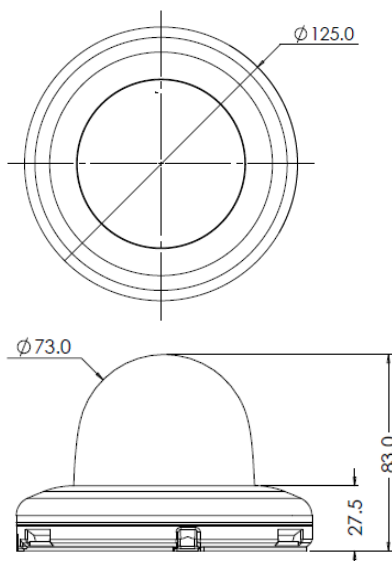
Full HD
1920x1080

FEATURES

- 2MP Full HD PTZ Dome Camera
- Triple Codec, Multi Streaming : H.264, MPEG-4, MJPEG
- 5x Optical, 12x Digital Zoom
- DNR, WDR Function
- Day & Night (ICR)
- PoE / DC12V
- IP66 Rated Vandal-Proof Flat Dome Housing
- **AUTO MAP Generation**
- ONVIF Supported

DIMENSION

(unit : mm)



SPECIFICATION

GPXN-0512

VIDEO	
Sensor	1/2.8" 2MP SONY Progressive Scan CMOS
Total Pixels	2000(H) x 1241 (V)
Min. Illumination	Color : 0.1Lux@30IRE / Black : 0.01Lux@30IRE
S/N Ratio	50dB (AGC OFF)
LENS	
Focal Length	f = 5~25mm, F3.5 ~ F3.7
Zoom	5x Optical, 12x Digital
Horizontal Angle	49.2° (W) ~ 10.52° (T)
PAN / TILT	
Range	Pan : 350° / Tilt : 90°
Speed	Preset : 120°/sec / Manual : Max. 120°/sec
Preset	1024 with Labels
Pattern	128
Scan	128
Group	128 (Max. 20 Entries for each group)
FUNCTION	
On Screen Display	Multi Language
Day& Night	Auto / Day / Night(ICR)
WDR	OFF / WDR / BLC
AGC	Auto / Manual / Max Gain Limit
White Balance	Auto / Preset / Manual
Electric Shutter	1/30(25) ~ 1/60,000sec
Focus	Auto / Manual
Other Function	Power Up Action, Parking Action
NETWORK	
OS	Embedded Linux
Video Compression	H.264, MPEG-4, MJPEG/ Triple Codec
Resolution	H.264/MPEG-4 : 1080P, 720P, D1, CIF MJPEG : QCIF
Frame Rate	Max. 30fps@1080P
Video Streaming	Multi Streaming VBR & CBR (Controllable frame rate and Bandwidth)
Protocol	ONVIF, TCP/IP, UDP/IP, RTP(UDP), RTSP, NTP, HTTP,HTTPS, SSL, DNS, DDNS, DHCP, FTP, SMTP, ICMP, SNMPv1/v2c/v3(MIB-2)
ONVIF	Supported
Memory Slot	SDHC Memory Slot
Max. User	5 user(HTTP web server)
Motion Detection	Notification : FTP, E-mail Alarm out, JPEG Recording on SD
Security	HTTPS(SSL), Digest Authentication(ID/PW)
OS Supported	Windows 7, Vista, XP, 2000
OPERATION	
Temperature	-10°C ~ +50°C
POWER	
Power	DC 12V, Max. 700mA, PoE (IEEE 802.3af compliant)
CASE	
Case/Material	Vandal Proof Dome Housing/ Body : Aluminum, Dome Cover : Polycarbonate
Certificate	FCC, CE, IP66, RoHS
Dimension	125mm(φ) x 83(H)
Weight	0.6Kg

* Specification and design are subject to change without notice.

GFXN-B402

2MP Full HD IP IR-LED Flat Dome Camera

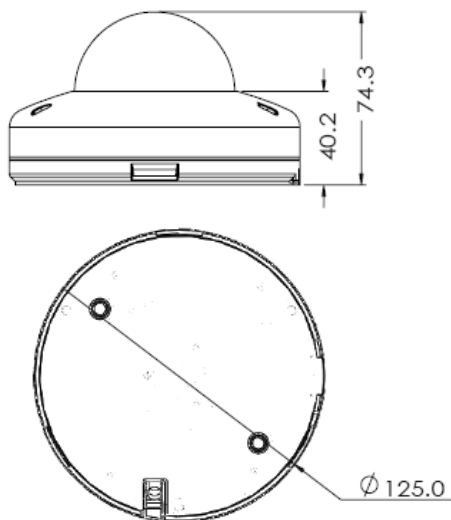


FEATURES

- 2MP Flat Vandal Dome Camera
- Triple Codec, Multi Streaming : H.264, MPEG-4, MJPEG
- 4mm Fixed Lens (8mm : Option)
- 12pcs IR-LED Equipped
- DNR, WDR Function
- PoE / DC12V
- IP66 Rated
- Vandal-Proof Flat Dome Housing
- ONVIF Supported

DIMENSION

(unit : mm)



SPECIFICATION

GFXN-B402	
VIDEO	
Sensor	1/2.8" 2MP SONY Progressive Scan CMOS
Effective Pixels	Approx. 2MP
Min. Illumination	Color : 0.5Lux@30IRE / Black : 0Lux (IR ON)
S/N Ratio	50dB (AGC OFF)
LENS	
Focal Length	4mm, F1.8
Focus	Manual
Horizontal Angle	86°
FUNCTION	
On Screen Display	Multi Language
DNR	OFF / LOW / MIDDLE / HIGH
WDR	OFF / WDR / BLC
AGC	Auto / Manual / Max Gain Limit(21 Steps)
White Balance	Auto / Preset / Manual
Electric Shutter	1/30(25) ~ 1/60,000sec
DSS	Max. x 8
IR-LED	12pcs
NETWORK	
OS	Embedded Linux
Video Compression	H.264, MPEG-4, MJPEG/ Triple Codec
Resolution	H.264/MPEG-4 : 1080P, 720P, D1, CIF MJPEG : QCIF
Frame Rate	Max. 30(25)fps@1080P
Video Streaming	Multi Streaming VBR & CBR (Controllable frame rate and Bandwidth)
Protocol	IPv4 : ONVIF, TCP/IP, UDP/IP, RTP(UDP), RTSP, NTP, HTTP, HTTPS, SSL, DNS, DDNS, DHCP, FTP, SMTP, ICMP, SNMPv1/v2c/v3(MIB-2) IPv6 : TCP/IP, HTTP, HTTPS, DHCP
ONVIF	Supported
Memory Slot	SDHC Memory Slot
Max. User	5 user(HTTP web server)
Motion Detection	Notification : FTP, E-mail Alarm out, JPEG Recording on SD
Security	HTTPS(SSL), Digest Authentication(ID/PW)
OS Supported	Windows 7, Vista, XP, 2000
GENERAL	
Temperature	-10°C ~ +50°C
Power	DC 12V, 500mA ±10%, PoE (IEEE 802.3af compliant)
Case/Material	Vandal Proof Dome Housing/ Body : Aluminum, Dome Cover : Polycarbonate
Certificate	FCC, CE, IP66, RoHS
Dimension	125mm(φ) x 60.5mm(H)
Weight	0.5Kg

* Specification and design are subject to change without notice.

NETWORK

HD-SDI

ANALOG

WIRELESS

SENSOR

INDUSTRIAL

GFNN-A162/D162

2MP IP Outdoor Dome Camera



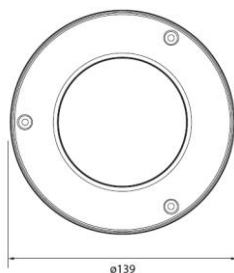
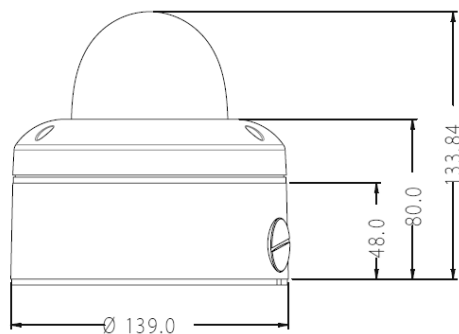
Full HD
1920x1080

FEATURES

- 2Megapixel Full HD Resolution
- Triple Codec, Multi Streaming : H.264, MPEG-4, MJPEG
- 3.5~16mm DC Auto IRIS ICR Lens, *Auto Focus*
- DNR, WDR Function
- Day & Night (ICR)
- 20pcs IR-LED for 10m Night View
- IP66 Rated Weather proof Design
- ONVIF Supported
- DC 12V, PoE

DIMENSION

(unit : mm)



SPECIFICATION

	GFNN-A162	GFNN-D162
VIDEO		
Sensor	1/2.8" 2MP SONY Progressive Scan CMOS	
Total Pixels	1920(H) x 1080(V)	
Min. Illumination	Color : 0.1Lux / IR LED ON : 0Lux	
S/N Ratio	50dB (AGC OFF)	
LENS		
Focal Length	3.5-16mm	
Horizontal Angle	50.3°(W) ~ 6.5°(T)	
Type	DC Auto IRIS, Auto Focus, ICR	DC Auto IRIS, ICR
Focus	Auto / Manual	
FUNCTION		
On Screen Display	Multi Language	
Day& Night	Auto / Day / Night(ICR)	
BLC	OFF / WDR / BLC / HLM	
AGC	Max. 41dB	
DNR	OFF / LOW / MID / HIGH	
White Balance	Auto / Auto Ext / Indoor / Outdoor / Preset / Manual	
Electric Shutter	1/30(25) ~ 1/60,000sec	
DSS(Sens-Up)	Max. x8	
IR-LED	20pcs IR-LED	
Other Function	Mirror, Privacy Masking	
Alarm In / Out	1 / 1	
NETWORK		
OS	Embedded Linux	
Video Codec	H.264, MPEG-4, MJPEG/ Triple Codec	
Video Streaming	Multi Streaming CBR/VBR (Control frame rate and Bandwidth)	
Resolution	All Codec : 1080P/720P/D1/CIF, MJPEG : QCIF	
Frame Rate	Max. 30/25fps @1080P/720P/D1/CIF	
Audio Codec	Two way, G.711, PCM, μ -law 64kbps 8kHz	
Protocol	IPv4 : ONVIF, TCP/IP, UDP/IP, RTP(UDP), RTSP, NTP, HTTP, HTTPS, SSL, DNS, DDNS, DHCP, FTP, SMTP, ICMP, SNMPv1/v2/v3(MIB-2) IPv6 : TCP/IP, HTTP, HTTPS, DHCP	
ONVIF	Support	
Memory Slot	SD/SDHC Memory Slot	
Alarm	Pre-Post Alarm	
Motion Detection	Notification : FTP, E-mail, Alarm Out, JPEG Recording on SD	
Max. User	10 User(HTTP web server)	
OS Supported	Windows 7, Vista, XP, 2000	
GENERAL INFO.		
Temperature	-10°C ~ +50°C	
Power	DC 12V, 7.5W \pm 10%, PoE 802.3af	
Material/Color	Aluminum / Pearl White	
Certificate	FCC, CE, IP66, RoHS	
Dimension	139(Ø) x 121.8mm(H)	
Weight	2Kg	

* Specification and design are subject to change without notice.

NETWORK

HD-SDI

ANALOG

WIRELESS

SENSOR

INDUSTRIAL

GDKN-A1052

2MP Full HD IP IR-LED Indoor Dome Camera



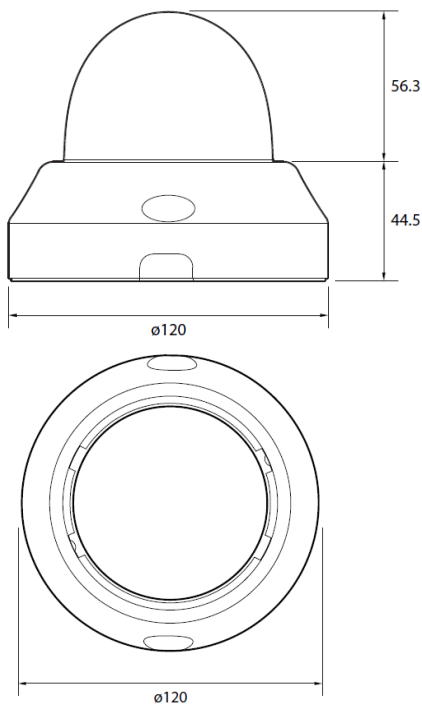
FULL HD
1920x1080

FEATURES

- 2MP Indoor Dome Camera
- Triple Codec, Multi Streaming : H.264, MPEG-4, MJPEG
- Min Illumination : 0.1Lux(Color)/0Lux(IR ON)
- **3.0~10.5mm DC Auto P-IRIS Lens, Auto Focus**
- DNR, WDR Function
- Day & Night (ICR)
- 20pcs IR-LED for 15m Night View
- ONVIF Supported
- DC 12V, PoE

DIMENSION

(unit : mm)



SPECIFICATION

GDKN-A1052

VIDEO	
Sensor	1/2.8" 2MP SONY Progressive Scan CMOS
Effective Pixels	Approx. 2MP
Min. Illumination	Color : 0.1Lux / IR LED ON : 0Lux
S/N Ratio	50dB (AGC OFF)
LENS	
Focal Length	3.0-10.5mm
Focus	Auto / Manual
Horizontal Angle	100°(W) ~ 30°(T)
Camera Posture	Pan : 360° / Tilt : 50° / Rotation : 360°
FUNCTION	
On Screen Display	Multi Language
DNR	OFF / LOW / MIDDLE / HIGH
WDR	OFF / WDR / BLC
AGC	Auto / Manual / Max Gain Limit(21 Steps)
White Balance	Auto / Preset / Manual
Electric Shutter	1/30(25) ~ 1/60,000sec
DSS	Max. x 8
IR-LED	20pcs
NETWORK	
OS	Embedded Linux
Video Compression	H.264, MPEG-4, MJPEG/ Triple Codec
Resolution	H.264/MPEG-4 : 1080P, 720P, D1, CIF MJPEG : QCIF
Frame Rate	Max. 30(25)fps@1080P
Video Streaming	Multi Streaming VBR & CBR (Controllable frame rate and Bandwidth)
Protocol	IPv4 : ONVIF, TCP/IP, UDP/IP, RTP(UDP), RTSP, NTP, HTTP, HTTPS, SSL, DNS, DDNS, DHCP, FTP, SMTP, ICMP, SNMPv1/v2c/v3(MIB-2) IPv6 : TCP/IP, HTTP, HTTPS, DHCP
ONVIF	Supported
Memory Slot	SDHC Memory Slot
Max. User	10 user(HTTP web server)
Motion Detection	Notification : FTP, E-mail Alarm out, JPEG Recording on SD
Security	HTTPS(SSL), Digest Authentication(ID/PW)
OS Supported	Windows 7, Vista, XP, 2000
GENERAL	
Temperature	-10°C ~ +50°C
Power	DC 12V, Max. 10W, PoE (IEEE 802.3af compliant)
Case/Material	Plastic Dome Housing
Certificate	FCC, CE, RoHS
Dimension	120mm(φ) x 100.8mm(H)
Weight	0.5Kg

* Specification and design are subject to change without notice.

GPTSN-2022

2MP 20x Optical Zoom IP PTZ Camera



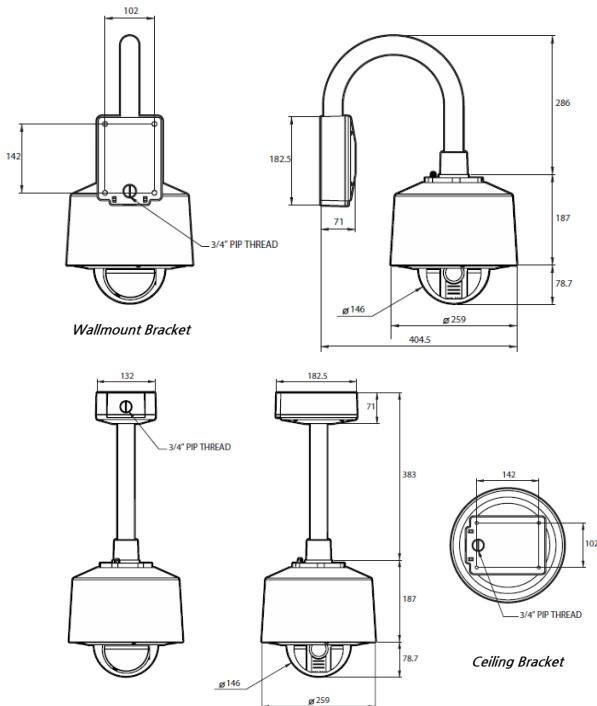
FULL HD
1920x1080

FEATURES

- 2MP Full HD PTZ Dome Camera
- Triple Codec, Multi Streaming : H.264, MPEG-4, MJPEG
- 20x Optical, 12x Digital Zoom
- Micro Stepping Technology : 256 Step Divided
- Lighting Speed(max. 360°/sec) & Smooth Speed(min. 0.05°/sec)
- Virtual Joystick on the Image
- **AUTO MAP Generation**
- Day & Night (ICR)
- Built-in Heater & Blower
- IK10/IP66 Rated
- AC 24V, High Power PoE

DIMENSION

(unit : mm)



SPECIFICATION

GPTSN-2022

VIDEO	
Sensor	1/2.8" 2MP SONY Progressive Scan CMOS
Total Pixels	2000(H) x 1241(V)
Min. Illumination	Color : 1.7Lux@50IRE / Black : 0.3Lux@50IRE
S/N Ratio	50dB (AGC OFF)
LENS	
Focal Length	f = 4.7~ 94mm, F1.6 ~ F3.5
Zoom	20x Optical, 12x Digital
Focus	Auto(Near Limit Setting) / Semi Auto / Manual
Horizontal Angle	55.4°(W) ~ 2.9°(T)
PAN / TILT	
Range	Pan : 360° (Endless) / Tilt : 90°
Speed	Preset : 360°/sec Manual : Max. 0.05° ~ 360°/sec (Zoom Proportional) Scan : 1° ~ 360°/sec
Preset	1024 with Labels
Pattern	128
Scan	128
Group	128 (Max. 20 Entries for each group)
FUNCTION	
On Screen Display	Multi Language
Day & Night	Auto / Day / Night(ICR)
WDR	OFF / ON
AGC	Auto / Manual / Max Gain Limit
White Balance	Auto/ATW/Manual/Indoor/Outdoor/One-push/Sodium Vapor Lamp
Electric Shutter	1/1 ~ 1/10,000sec (22 Step)
Image Stabilization	OFF / ON
DNR	OFF / ON (Level Setting)
Other Function	Power Up Action, Parking Action, Auto Flip
Alarm In / Out	2 / 1
NETWORK	
OS	Embedded Linux
Video Codec	H.264, MPEG-4, MJPEG/ Triple Codec
Resolution	H.264/MPEG-4 : 1080P, 720P, D1, CIF MJPEG : QCIF
Frame Rate	Max. 30fps@1080P
Video Streaming	Multi Streaming VBR & CBR (Controllable frame rate and Bandwidth)
Audio Codec	Two way, G.711 PCM, μ -law 64kbps 8kHz
Protocol	ONVIF, TCP/IP, UDP/IP, RTP(UDP), RTSP, NTP, HTTP,HTTPS, SSL, DNS, DDNS, DHCP, FTP, SMTP, ICMP, SNMPv1/v2c/v3(MIB-2)
ONVIF	Supported
Memory Slot	SDHC Memory Slot
Max. User	5 user(HTTP web server)
Motion Detection	Notification : FTP, E-mail Alarm out, JPEG Recording on SD
Security	HTTPS(SSL), Digest Authentication(ID/PW)
OS Supported	Windows 7, Vista, XP, 2000
Viewer Function	AUTO MAP, Virtual Joystick, Power PTZ
GENERAL INFO.	
Temperature	-40°C ~ +50°C
Power	AC 24V, 23W(55W, Heater On) High Power PoE (IEEE 802.3at, 40W)
Case/Material	Vandal Proof Dome Housing (White Pearl) Body : Aluminum, Dome Cover : Polycarbonate
Certificate	FCC, CE, IP66, RoHS
Dimension	259mm(ϕ) x 265.7(H)
Weight	6Kg

* Specification and design are subject to change without notice.

GPTSN-3012

2MP 30x Optical Zoom IP PTZ Camera



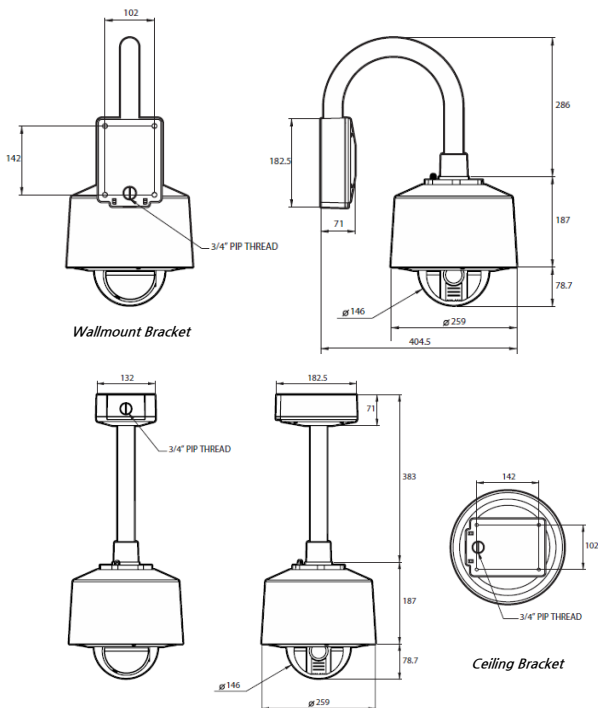
FULL HD
1920x1080

FEATURES

- 2MP Full HD PTZ Dome Camera
- Triple Codec, Multi Streaming : H.264, MPEG-4, MJPEG
- 30x Optical, 12x Digital Zoom
- Micro Stepping Technology : 256 Step Divided
- Lighting Speed(max. 360°/sec) & Smooth Speed(min. 0.05°/sec)
- Virtual Joystick on the Image
- **AUTO MAP Generation**
- Day & Night (ICR)
- Built-in Heater & Blower
- IK10/IP66 Rated
- AC 24V, High Power PoE

DIMENSION

(unit : mm)



SPECIFICATION

GPTSN-3012	
VIDEO	
Sensor	1/2.8" 2MP SONY Progressive Scan CMOS
Total Pixels	2000(H) x 1241(V)
Min. Illumination	Color : 1.7Lux@50IRE / Black : 0.3Lux@50IRE
S/N Ratio	50dB (AGC OFF)
LENS	
Focal Length	f = 4.6~138mm, F1.6 ~ F4.7
Zoom	30x Optical, 12x Digital
Focus	Auto(Near Limit Setting) / Semi Auto / Manual
Horizontal Angle	59.5°(W) ~ 2.1°(T)
PAN / TILT	
Range	Pan : 360° (Endless) / Tilt : 90°
Speed	Preset : 360°/sec Manual : Max. 0.05° ~ 360°/sec (Zoom Proportional) Scan : 1° ~ 360°/sec
Preset	1024 with Labels
Pattern	128
Scan	128
Group	128 (Max. 20 Entries for each group)
FUNCTION	
On Screen Display	Multi Language
Day & Night	Auto / Day / Night(ICR)
WDR	OFF / ON
AGC	Auto / Manual / Max Gain Limit
White Balance	Auto/ATW/Manual/Indoor/Outdoor/One-push/Sodium Vapor Lamp
Electric Shutter	1/1 ~ 1/10,000sec (22 Step)
Image Stabilization	OFF / ON
DNR	OFF / ON (Level Setting)
Other Function	Power Up Action, Parking Action, Auto Flip
Alarm In / Out	2 / 1
NETWORK	
OS	Embedded Linux
Video Codec	H.264, MPEG-4, MJPEG/ Triple Codec
Resolution	H.264/MPEG-4 : 1080P, 720P, D1, CIF MJPEG : QCIF
Frame Rate	Max. 30fps@1080P
Video Streaming	Multi Streaming VBR & CBR (Controllable frame rate and Bandwidth)
Audio Codec	Two way, G.711 PCM, μ-law 64kbps 8kHz
Protocol	ONVIF, TCP/IP, UDP/IP, RTP(UDP), RTSP, NTP, HTTP,HTTPS, SSL, DNS, DDNS, DHCP, FTP, SMTP, ICMP, SNMPv1/v2c/v3(MIB-2)
ONVIF	Supported
Memory Slot	SDHC Memory Slot
Max. User	5 user(HTTP web server)
Motion Detection	Notification : FTP, E-mail Alarm out, JPEG Recording on SD
Security	HTTPS(SSL), Digest Authentication(ID/PW)
OS Supported	Windows 7, Vista, XP, 2000
GENERAL INFO.	
Temperature	-40°C ~ +50°C
Power	AC 24V, 23W(55W, Heater On) High Power PoE (IEEE 802.3at, 40W)
Case/Material	Vandal Proof Dome Housing (White Pearl) Body : Aluminum, Dome Cover : Polycarbonate
Certificate	FCC, CE, IP66, RoHS
Dimension	259mm(φ) x 265.7(H)
Weight	6Kg

* Specification and design are subject to change without notice.

GPC-120

PTZ Controller

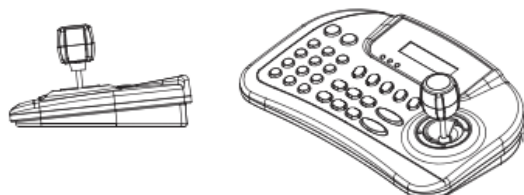
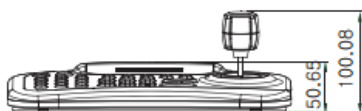
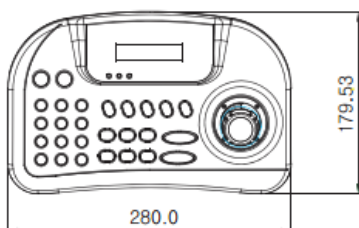


FEATURES

- USB Mouse Function
- Operate with 9V Battery
- Control up to 255 Cameras
- Multiple Protocol Supported in Each CH
- RS-485/RS-422 Communication (Tx. 3 Port/ Rx. 1 Port)
- Programmable User Preferences (Preset, Tour, Pattern, Etc.)
- Built-in 3-Axis Joystick
- 2 Line LCD Monitor
- User Password Support

DIMENSION

(Unit : mm)



SPECIFICATION

GPC-120

KEYBOARD COMMUNICATION

Interface	RS-485/RSS-422
Operating Distance	Approx. 4,000ft(1.2Km) on 24 AWG wire
Protocol	Multiple(Pelco-D/P, Etc.),

FUNCTIONS

Connector Type	Terminal Block (8p)
Keyboard Button	Rubber button / Numeric Keypad and camera function key
Joystick	Stick 3 axis, Variable speed with zoom
Input Voltage	DC12V or DC9V Battery(Battery mode)
Power Consump.	Max. 140mA
LCD Display	Graphic display 16 character x2 Lines

OPERATION

Temperature	0°C ~ 45°C
Humidity	70%, Non Condensing
Dimension	280mm(W) x 100mm(H) x 179.5mm(D)
Weight	1.7Kg
Accessory	Battery 9V, USB Cable, Manual, Terminal Block(8 Pin)

* Specification is subject to change without prior notice for quality improvement.



GSH5-5016

Full HD Realtime Recording NVR

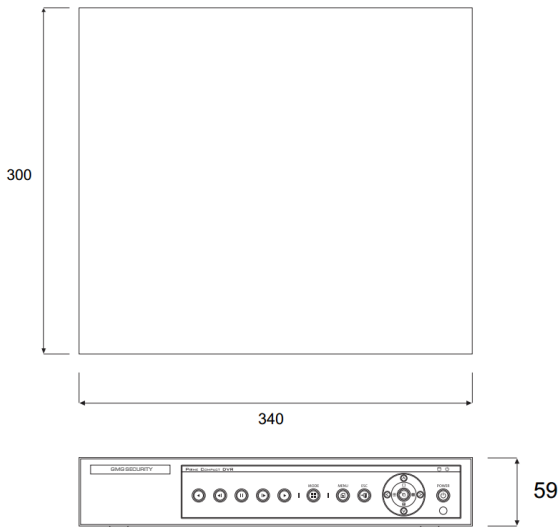


FEATURES

- 16CH Full HD Recording NVR
- Various Storage : 2 SATA HDD, 1 eSATA
- iSCSI Recording Support
- Network Function : DDNS, DHCP, UPNP
- Alarm, ATM, POS
- End of Line Register Sensor / Camera Tamper Sensor
- Dual RS-485 Port
- PoE Plug & Play Function(Optional)
- User-friendly Design (Interactive Front Panel)
- Bundled Software : CMS, RMS, **Mac Viewer**, Web Client
- Smartphone Viewer Application(Android/iPhone/iPad)

DIMENSION

(Unit : mm)



SPECIFICATION

		GSH5-5016
DISPLAY		
CH		Up to 16
CAMERA IP Camera		
PoE		Option
Speed		Max. D1 480/400fps (Max. 1080p 120/100fps)
DISPLAY		
Resolution		Full HD
Screen		1 / 4 / 9 / 16 / SEQ / BIG (Live), 1 / 4 / 9 / 16 (Play Back)
FUNCTION		
Operation System		
		Embedded Linux
REC.		
Compression		H.264
Speed		Max. 240/200fps
Resolution		Depends on IP Camera
Mode		Scheduled, Sensor-Activated & Motion Detection, Audio
Quality		5 Level
Bit Rate		664Kbps ~ 7Mbps/CH, Adjustable
Playback		
Search		Go to first rec. time, Go to last rec. time, Go to last search time, Calendar, Log viewer, Smart search, Multi-time & day search, Event search
Speed		x1 ~ x32, x300
Mode		Event only playback, Backward, Pause, Frame by frame, Panorama
Network		
Interface		10/100/1G
Compression		H.264
Speed		Max. D1 30fps in total
Resolution		Max. 1920 x 1080P
Mode		Bandwidth Control
Back-up		
Interface		USB, Network
Internal HDD		2 x HDD or 1 x HDD + 1 eSATA
External HDD		1 x eSATA(Optional)
H/W RAID		N/A
DVD		N/A
Format		Video Clip(Backup Viewer), JPEG Image, Log, Setup
PTZ / Keyboard		2 x RS-485
POS/ATM		RS-232C - Terminal Block, Ethernet POS
Software		CMS, RMS, Mac Viewer, Smartphone APP(3G/4G)
INTERFACE		
Video Output		
VGA		1 VGA (1280 x 1024, 1024 x 768, 800 x 600)
HDMI		1 HDMI (720P/1080P)
Composite		1 Composite
Audio		
Compression		Depends on IP Camera
Bit Rate		Depends on IP Camera
Input / Output		4CH / 1CH - EOL
Pre/Post Alarm		5sec ~ 5min
Alarm		
Motion Grid		14 x 15 (NTSC/PAL)
Action		E-mail, CH Popup, Buzzer, Relay, PTZ Preset, Remote CMS, Front LED
Ethernet		
Ethernet		1 RJ45
Data		RS-485
Interface		
USB		USB 2.0
eSATA		1
Operation		Mouse, Remote Controller, Front Button
GENERAL INFO.		
Power Consumption		40Watt
Power Supply		12V / 5A - Level 5
Operating Temp./Hum.		5°C ~ +40°C / Under 80% RH
Dimension(mm)		340mm(W) x 59mm(H) x 300mm(D)
Weight(kg)		3KG(Without HDD)
Certificate		CE, FCC, RoHS

* Specification and design are subject to change without notice.

NETWORK

HD-SDI

ANALOG

WIRELESS

SENSOR

INDUSTRIAL

GE-NVR Series

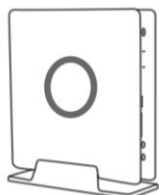
Open Flat Form Window Based NVR



FEATURES

- **The Easiest Set the System**
 - ; All you need is just cabling, then one click will make NVR System display live video and record data instantly.
- **Simple & Intuitive User Interface**
 - ; Anybody experienced with DVR can enjoy exploring NVR System without the help of a manual, as it has user friendly GUI
- **Powerful Performance Specialized in Megapixel Video**
 - ; Fast Recording Speed at Full HD(1080P)
 - ; Various Search Mode
 - ; Digital Zoom & Etc.,
- **3G/LTE Mobile Viewer Display with 720P at 30fps**
- **Exclusive VMS Lite Software Provided**
- **People Count & Auto Map Function Integrated**

GNVR Case Bracket



Stand Upright



LCD mount

SPECIFICATION

		GE-NVR-0204	GE-NVR-0209
DISPLAY			
IP	Input	4	9
Camera	Output	VGA/HDMI	DVI/HDMI
Audio	Input	4	9
	Remark	Support corresponding audio channel to each CH	
FUNCTION			
Video Compression		H.264, MJPEG, MPEG-4	
Audio Compression		G.711, PCM, AAC	
Alarm I/O	In/Output	4 / 4	9 / 9
	Assignment	Assign a sensor input and an alarm output from IP Camera	
Live Display	720P	80fps(20/CH)	225fps(25/CH)
	1080P	30fps(7.5/CH)	135fps(20/CH)
	PTZ Control	Pan / Tilt / Zoom / Focus / IRIS / Preset / Auto Map	
RECORDING			
Display	720P	80fps(20/CH)	225fps(25/CH)
	960P	50fps(12/CH)	180fps(20/CH)
	1080P	30fps(7.5/CH)	135fps(15/CH)
Storage	Internal	1EA (SATA 1.8")	
	External	e-SATA, USB_HDD, USB, NAS	
Schedule		Weekly(Sunday to Saturday), Continuously, Manual	
Alarm Source		Motion Detection / Sensor Input	
Pre/Post Alarm		Pre Alarm : 10sec / Post Alarm : Selectable	
Others		System Auto Recovery Against Power on Record	
SEARCH			
Mode		Timeline Search, Thumbnail Search, Event Search	
Control		Playback, Backward, Stop, Fast Forward	
Back up	Device	USB/USB External HDD/e-SATA	
	Format	AVI, JPG, Conversion through Client	
	Player S/W	Standard Video Player Software *Window Media Player	
Console/SW Control		Mouse / Keyboard / PC Virtual Keyboard	
SYSTEM & GENERAL			
SYSTEM	CPU	intel D525	intel i3
	RAM	2GB	4GB
	OS	Window XP	Window 7(64bit)
	LAN	1 x Gigabit Ethernet	
	Direct X	Direct X 9.0C or Higher	
Power		DC 19V	
Operating Temp.		0°C ~ 40°C	
Operating Humidity		0~80%	
Case Type		Stand Upright or LCD Monitor Mount	
Dimension		180mm(W)*44mm(H)*180mm(D)	
Weight		1.8Kg	
Certificate		FCC/CE/KCC	

* Specification and design are subject to change without notice.

GE-NVR Series - 2U

Open Platform Window Based NVR

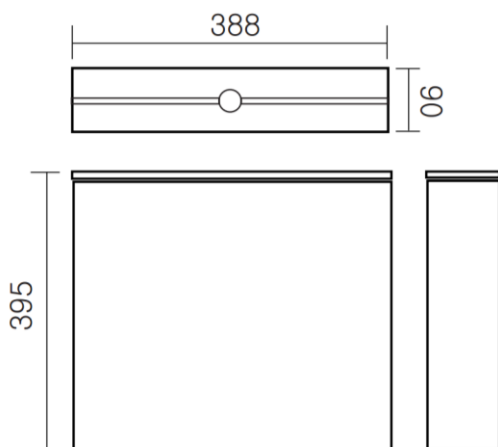


FEATURES

- **The Easiest Set the System**
 - ; All you need is just cabling, then one click will make NVR System display live video and record data instantly.
- **Simple & Intuitive User Interface**
 - ; Anybody experienced with DVR can enjoy exploring NVR System without the help of a manual, as it has user friendly GUI
- **Powerful Performance Specialized in Megapixel Video**
 - ; Fast Recording Speed at Full HD(1080P)
 - ; Various Search Mode
 - ; Digital Zoom & Etc.,
- **3G/LTE Mobile Viewer Display with 720P at 30fps**
- **Exclusive VMS Lite Software Provided**
- **People Count & Auto Map Function Integrated**

DIMENSION

(Unit : mm)



SPECIFICATION

		GNVR-0316	GNVR-0325
DISPLAY			
IP Camera	Input	16	25
	Output	VGA/ DVI / HDMI	VGA / DVI / HDMI
Audio	IN	16	25
	Remark	Support corresponding audio channel to each CH	
FUNCTION			
Video Compression		H.264, MJPEG, MPEG-4	
Audio Compression		G.711, PCM, AAC	
Alarm	In/Output	16 / 16	25 / 25
	Assignment	Assign a sensor input and an alarm output from IP Camera	
Live Display	720P	400fps	625fps
	1080P	240fps	325fps
	PTZ Control	Pan / Tilt / Zoom / Focus / IRIS / Preset / Auto Map	
RECORDING			
Display	720P	400fps (25fps/CH)	625fps (25fps/CH)
	960P	320fps (20fps/CH)	425fps (17fps/CH)
	1080P	240fps (15fps/CH)	325fps (13fps/CH)
Recording	Internal	Max. 4	
	External	e-SATA, USB_HDD, USB, NAS	
Schedule		Weekly (Sunday to Saturday/24 hours/selectable by 30 minutes unit)	
Alarm Source		Motion Detection / Sensor Input	
Pre/Post Alarm		Pre Alarm : 10sec / Post Alarm : Selectable	
Others		System Auto Recovery Against Power on Record	
SEARCH			
Mode		Timeline Search, Thumbnail Search, Event Search	
Control		Playback, Backward, Stop, Fast Forward	
Back up	Device	USB/USB External HDD/e-SATA	
	Format	AVI, JPG, Conversion through Client	
	Player S/W	Standard Video Player Software *Window Media Player	
Console/SW Control		Mouse / Keyboard / PC Virtual Keyboard	
SYSTEM & GENERAL			
SYSTEM	CPU	Intel Processor	
	RAM	8GB	
	OS	Window 7 (64bit)	
	LAN	1 x Gigabit Ethernet	
	Direct X	Direct X 9.0C or Dotnet FX 4.5	
Power		AC 110~230/350W	
Operating Temp.		0°C ~ 40°C	
Operating Humidity		0~85%	
Case Type		388mm(W) x 90mm(H) x 395mm(D)	
Dimension		7.3 ~ 12Kg	

* Specification and design are subject to change without notice.

GE-NVR Series(Rack Type)

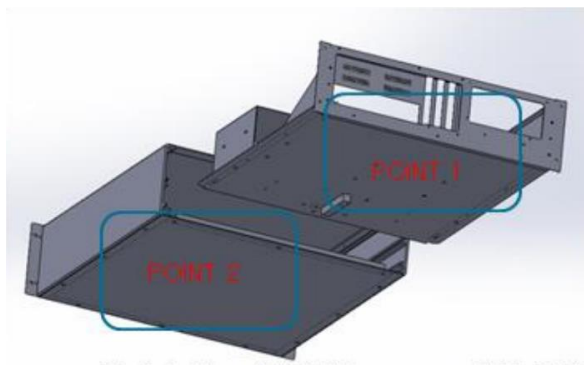
Open Flat Form Window Based NVR



FEATURES

- **The Easiest Set the System**
; All you need is just cabling, then one click will make NVR System display live video and record data instantly.
- **Simple & Intuitive User Interface**
; Anybody experienced with DVR can enjoy exploring NVR System without the help of a manual, as it has user friendly GUI
- **Powerful Performance Specialized in Megapixel Video**
; Fast Recording Speed at Full HD(1080P)
; Various Search Mode
; Digital Zoom & Etc.,
- **3G/LTE Mobile Viewer Display with 720P at 30fps**
- **Exclusive VMS Lite Software Provided**

GNVR Patent Case



• Patent 3.5 Rack Mountable Case

; GMG's Window Based NVR has been designed applicable for industrial usage.

With plenty of maintenance job for big size of project, GMG had been perfectly designed our NVR Case very easy to do maintenance.

When system needs to be inspected, technician doesn't need to loosen the screw

Just pull out of System installed at Point 1 to fix it and put it to the Point 2.

SPECIFICATION

		GE-NVR-0425	GE-NVR-0436	GE-NVR-0404-H6
DISPLAY				
IP Camera	Input	25	36	4
	Output	VGA/DVI/HDMI		
Audio	Input	25	36	4
	Remark	Support corresponding audio channel to each CH		
FUNCTION				
Video Compression		H.264, MJPEG, MPEG-4		
Audio Compression		G.711, PCM, AAC		
Alarm I/O	In/Output	25 / 25	36 / 36	4 / 4
	Assignment	Assign a sensor input and an alarm output from IP Camera		
Live Display	720P	625fps(25/CH)	720fps(25/CH)	
	1080P	325fps(13/CH)	540fps(15/CH)	240fps(60/CH)
	PTZ Control	Pan / Tilt / Zoom / Focus / IRIS / Preset / Auto Map		
RECORDING				
Display	720P	625fps(25/CH)	720fps(25/CH)	
	1080P	325fps(13/CH)	540fps(15/CH)	240(60/CH)
Storage	Internal	6EA (SATA 3.5" or 2.5")		
	External	e-SATA, USB_HDD, USB, NAS		
	Option	RAID : 0, 1, 5, 10 / Hot Swap		
Schedule		Weekly(Sunday to Saturday), Continuously, Manual		
Alarm Source		Motion Detection / Sensor Input		
Pre/Post Alarm		Pre Alarm : 10sec / Post Alarm : Selectable		
Others		System Auto Recovery Against Power on Record		
SEARCH				
Mode		Timeline Search, Thumbnail Search, Event Search		
Control		Playback, Backward, Stop, Fast Forward		
Back up	Device	USB/USB External HDD/e-SATA		
	Format	AVI, JPG, Conversion through Client		
	Player S/W	Standard Video Player Software *Window Media Player		
Console/SW Control		Mouse / Keyboard / PC Virtual Keyboard		
SYSTEM & GENERAL				
SYSTEM	CPU	Intel Processor		
	RAM	8GB		
	OS	Windows Embedded Standard 7(64bit)		
	LAN	1 x Gigabit Ethernet		
	Direct X	Direct X 9.0C or Hotnet FX4.5		
Power		AC 110-230V, 700W(16CH)		
Operating Temp.		0°C ~ 40°C		
Operating Humidity		0~80%		
Case Type		3.5U		
Dimension		430mm(W)*130mm(H)*460mm(D)		
Weight		8.4~ 15Kg		
Certificate		FCC/CE/KCC		

* Specification and design are subject to change without notice.