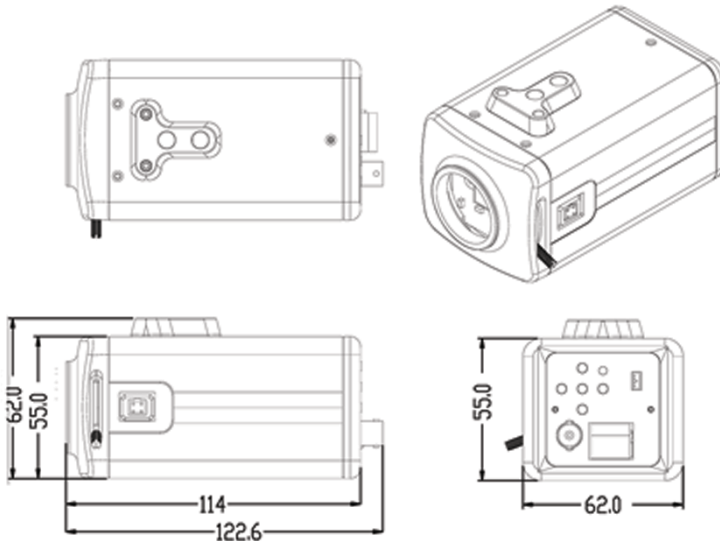


# High Performance Color Camera

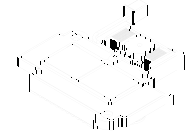
## DSC-P961HWD

Sony Super HAD Double Scan CCD  
 560 TV Line Highest Resolution  
 WDR [Wide Dynamic Range]  
 3D DNR [Digital Noise Reduction]  
 IR Cut filter [TDN - Option]  
 ICON OSD [On Screen Display] Control



SPECIFICATIONS	DSC-P961HWD	
General Spec	NTSC	PAL
CCD Type	1/3" 410K Pixels Color	1/3" 470K Pixels Color
Total Number of Pixels	811(H) X 508 (V)	795(H) X 596 (V)
Min illumination	0.8Lux [ F1.2, 30IRE at Color ] 0.08Lux [ F1.2, 30IRE at TDN B/W ]	
Resolution	560 TV Lines	
Electric Spec		
Voltage	DC 12V (10.0V ~ 16.0V)	
Power Consumption	Max 1.8W	
Common		
General Spec	NTSC	PAL
Shutter Speed	1/60s - 1/100,000s	1/50s - 1/100,000s
S/N Ratio	50db or more (AGC off)	
Gamma	0.45	
Sync System	Internal / Line Lock	
Mechanical Spec		
Operation Temp	-10°C ~ +55°C	
In Storage Temp	-20°C ~ +70°C	
Operation Humidity	Under 90% (Non-condensing)	

### New D&N Function TDN



### ICON Type OSD function



### 3D DNR(Digital Noise Reduction)



Normal



DNR

### WDR (Wide Dynamic Range)



Normal



WDR

### HME (Highlight Mask Exposure Control)



Normal



HME