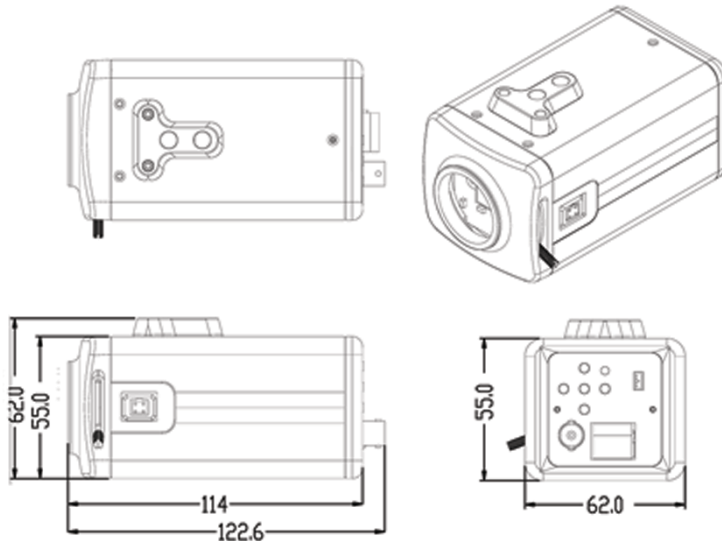


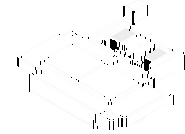
High Performance Color Camera

DSC-P931HTDN

Sony Super HAD II CCD
 520 TV Line Highest Resolution
 IR Cut filter [TDN]
 Digital Signal Processor
 Line Lock Mode
 ICON OSD [On Screen Display] Control
 RS-485 Port Available



New D&N Function TDN



ICON Type OSD function



HME (Highlight Mask Exposure Control)



Normal



HME

SPECIFICATIONS	DSC-P931HTDN	
General Spec	NTSC	PAL
CCD Type	1/3" 410K Pixels Color	1/3" 470K Pixels Color
Total Number of Pixels	811(H) X 508 (V)	795(H) X 596 (V)
Min illumination	0.1Lux [F1.2, 30IRE at Color] 0.001Lux [F1.2, 30IRE at TDN B/W]	
Resolution	520 TV Lines at Color, 580TV Lines at TDN B/W	
Electric Spec		
Voltage	DC 12V (10.0V ~ 16.0V)	
Power Consumption	Max 1.5W	
Common		
General Spec	NTSC	PAL
Shutter Speed	1/60s - 1/100,000s	1/50s - 1/100,000s
S/N Ratio	50db or more (AGC off)	
Gamma	0.45	
Sync System	Internal / Line Lock	
Mechanical Spec		
Operation Temp	-10°C ~ +55°C	
In Storage Temp	-20°C ~ +70°C	
Operation Humidity	Under 90% (Non-condensing)	