



# Smart Fitness Solution



Enhancing the fitness environment for  
you to work out smartly

[www.ieiworld.com](http://www.ieiworld.com)





# IEI Smart Fitness Solution

In recent years, obesity has become a world wide problem. More and more people are aware of the importance of exercise. Many people inspire themselves to join the fitness club or related groups. In the U.S., there are over sixteen millions people attending health clubs on more than 100 days a year; the growth of fitness industry is continually increasing. With the growth of workout population, people are not satisfied with the traditional workout experience. People are looking for something fun and something that can help them to get connected to outside world while they are exercising.

The fitness console developed by IEI can fulfill needs for those people who are not satisfied with the traditional workout experience. With the entertainment system provided by IEI Fitness console, people can watch TV, use social media such as Twitter or Facebook to connect with their friends, and use the virtual running programs to enjoy the scenery and the landscape of other countries while they are running or cycling.

IEI's smart fitness solution can not only fulfill the need for the end user but also for the club owner. IEI's smart fitness solution provide club surveillances, access control and front desk membership management services. With this smart fitness solution, club owners can easily manage their daily operations for the fitness clubs.

## Fitness Console FIT1 Series

- Capacitive Touch Screen
- Freescale iMX6 Processor-Quad Core-A9
- Android 5.0
- Customized Fitness User Interface





## Access Control for Gyms, Fitness Clubs

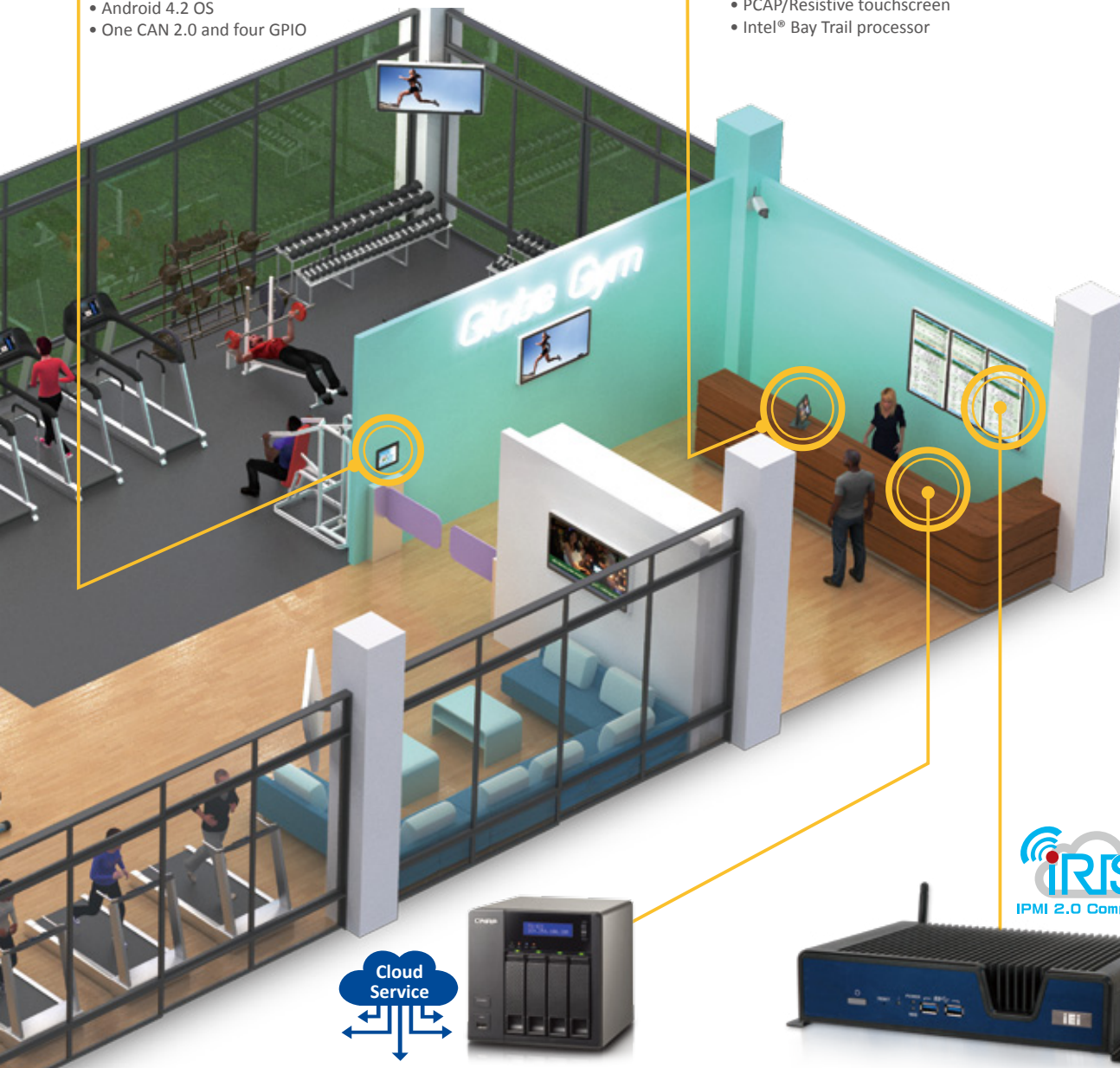
### - IOVU Series

- Freescale™ i.MX6 Cortex™-A9 (quad core, 1.0 GHz)
- Projected capacitive touchscreen
- Wi-Fi and Bluetooth v4.0
- Android 4.2 OS
- One CAN 2.0 and four GPIO

## Security Surveillance and Membership Management for Gyms and Fitness Clubs

### Light Industrial Panel PC - AFL3 PPC Series

- Plastic housing with IP65 front protection
- PCAP/Resistive touchscreen
- Intel® Bay Trail processor



## Front Desk and Back-end Gym Management

- Web base technology
- Membership management
- Club surveillance storage
- Club entertainment system

## Digital Signage

- High definition AMD R-Series APU
- Quad HDMI supports multiple independent display
- Fanless design
- Supports IPMI 2.0 via iRIS-2400 module

## IEI Smart Fitness- NAS Cloud Solution



### Membership Management Service

IEI's smart fitness solution not only offers hardware for fitness consoles but also software for membership management service. This membership management services includes front desk check in service, class schedule arrangement, and membership management. With these membership management services, club owners can easily manage their membership data in anytime, anyplace. It will also help fitness club owners to raise the quality of fitness club management.



### Cloud Service Powered by QNAP NAS

IEI smart fitness solution can also provides cloud base service. When customers finished their workout, they can upload their workout data to the cloud service, and their workout history record can be pulled out anytime, anywhere from their mobile devices or from their computers. Club staffs can use cloud service to upload all their daily operation data or surveillance camera data to the cloud service. By doing this, the whole membership service or security service can easily connect with each other in different areas.



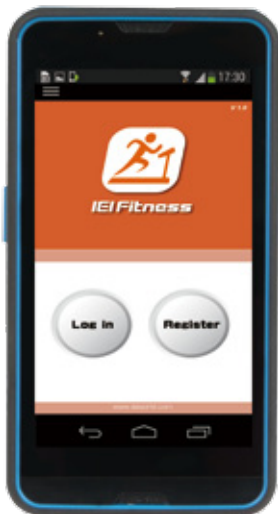
Membership Management Service  
Nas Cloud Service



Nas Cloud Service

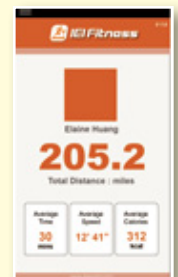
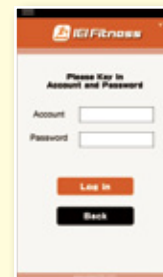
### Front Desk and Back-end Gym Management

IEI Fitness App  
Nas Cloud Service

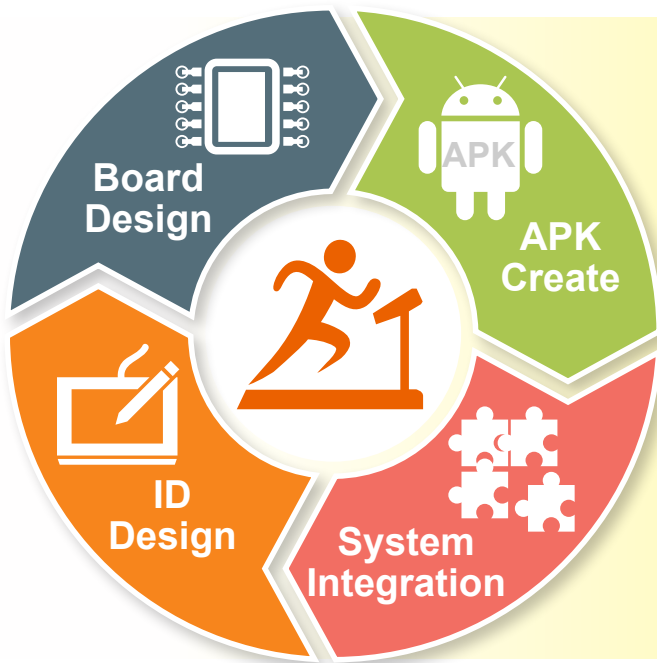


### IEI Fitness App

IEI Fitness App is a tool that can help our customers to check their workout record anytime. This app can synchronize member's workout data with the NAS cloud services. The registered fitness members can login to this IEFitness App. When they finished running, they can upload their record to the cloud service, and they can use this app to search for their workout history, group class schedule, training assignment and their membership information.



## Core Value for IEI Fitness



IEI Fitness provides customized fitness consoles. IEI Integration Corp has many years of experiences in board design, ID design, and system integration. We have highly qualify research and development team to help us to fulfill customers' needs. We also have the ability to integrate different types of boards to different types of motors for treadmill, bike, and elliptical.

### Board Design

IEI has many years of professional experiences in industrial computer. Our engineers are fully qualify to design different types of boards, such as main board, lower control board and I/O board. IEI also has its own labs to help our customers to pre-test different types of certifications, such as CE, FCC, and EMI.



### ID Design

ODM / OEM fitness customers usually have their own ID design. However, with our professional ID design team, IEI can also provide ID design service for those who need it, from all-in-one console to open frame consoles.



### APK Create

IEI Fitness also provide APK design service. We have very strong software teams (OS team, FW team, and UI team) that can help our customers to build their desire APK in their fitness console. With the given software structure, UI flowchart, and UI pictures, our engineers can use their skills to develop an Android APK for our customers.



### System Integration

System integration is the most difficult part in fitness console design. IEI's engineers have many years of experiences to integrate different boards and different motors into a system. IEI's engineers are also experienced enough to fulfill our customer's need such as adding some external devices, like heart rate module, BLE module and BT module.



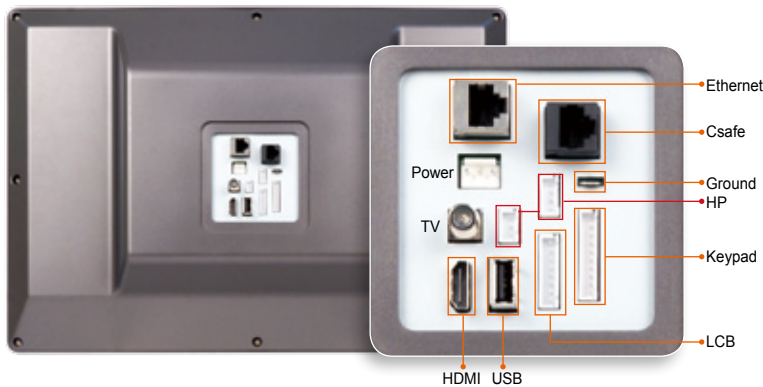
# Risc-Based Fitness Console Ready for ODM / OEM




Current ID for Reference Only

## Features

- Support Android 5.0
- Flexible ID Design. (Open Frame or customized ID Design)
- IEI Customer Reference Board (10.1" / 15.6" / 18.5" share the same main board)
- Freescale Quad Core – A9 1GHz processor
- 10.1" / 15.6" / 18.5" Color TFT LCD
- Waterproof: IPX5 (For customized ID)
- Support BLE / ANT+ / NFC
- Support ATSC / DVBT TV Dongle





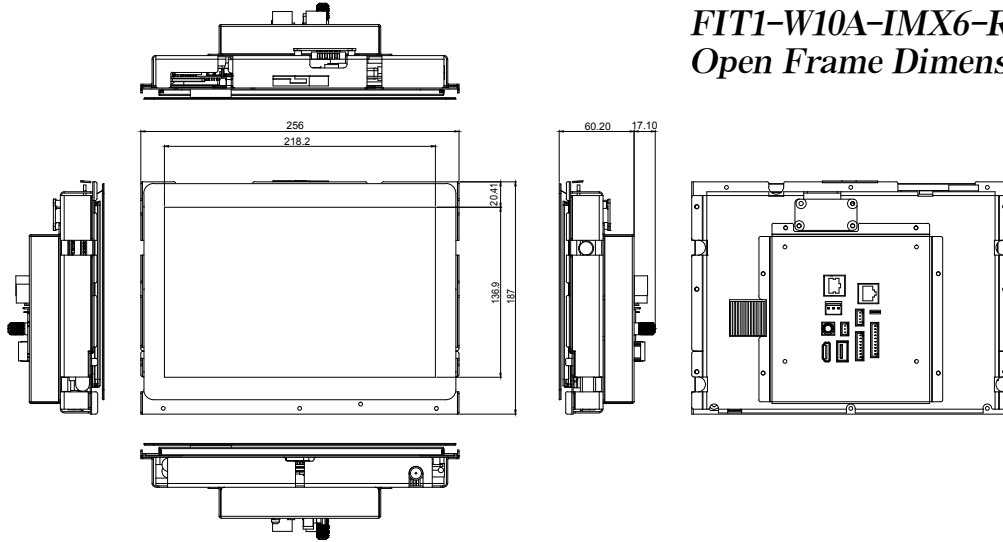
### Flexible ID Design

Open Frame or customized ID Design

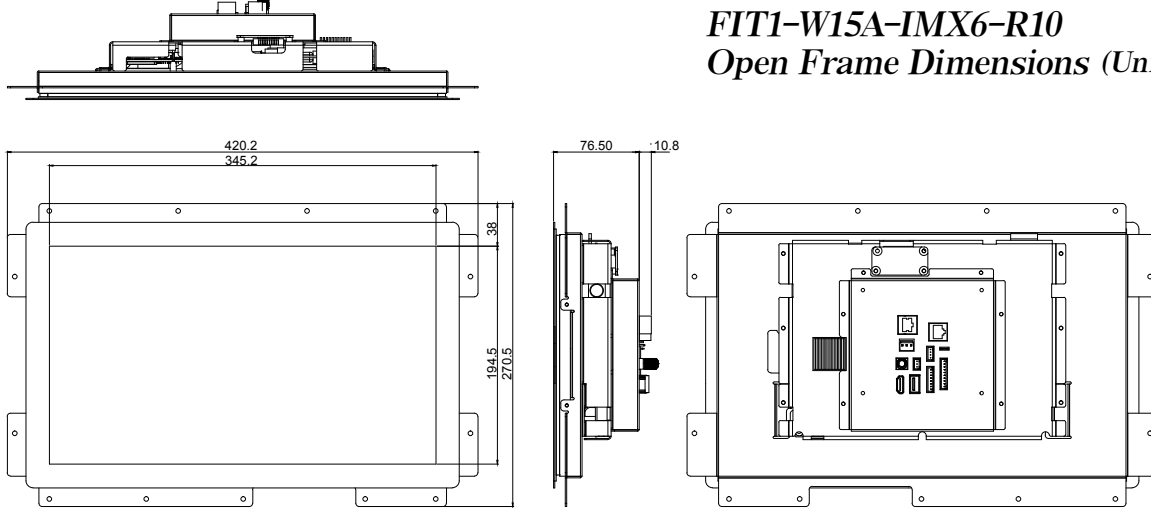


Model	FIT1-W10A-IMX6-R10	FIT1-W15A-IMX6-R10	FIT1-W18A-IMX6-R10
Size	10"	15.6"	18.5"
Resolution	1280 (W) x 800 (H)	1366 (W) x 768 (H)	1366 (W) x 768 (H)
Touch Screen	Projected Capacitive Flat Touch	Projected Capacitive Flat Touch	Projected Capacitive Flat Touch
CPU / Chipset	Freescale Imx6 Cortex-A9 (Quad Core 1GHz)		
I/O Port and Switches	1 x USB 1 x Csafe 1 x HDMI In	1 x Lan Port 1 x LCB Connector 1 x Heart Rate Module	1 x Keypad
Operating Temperature (ambient with air flow)	0°C ~ 40°C		
Storage Temperature	-10°C ~ 50°C		
Power Requirement	12 V DC Power Input		

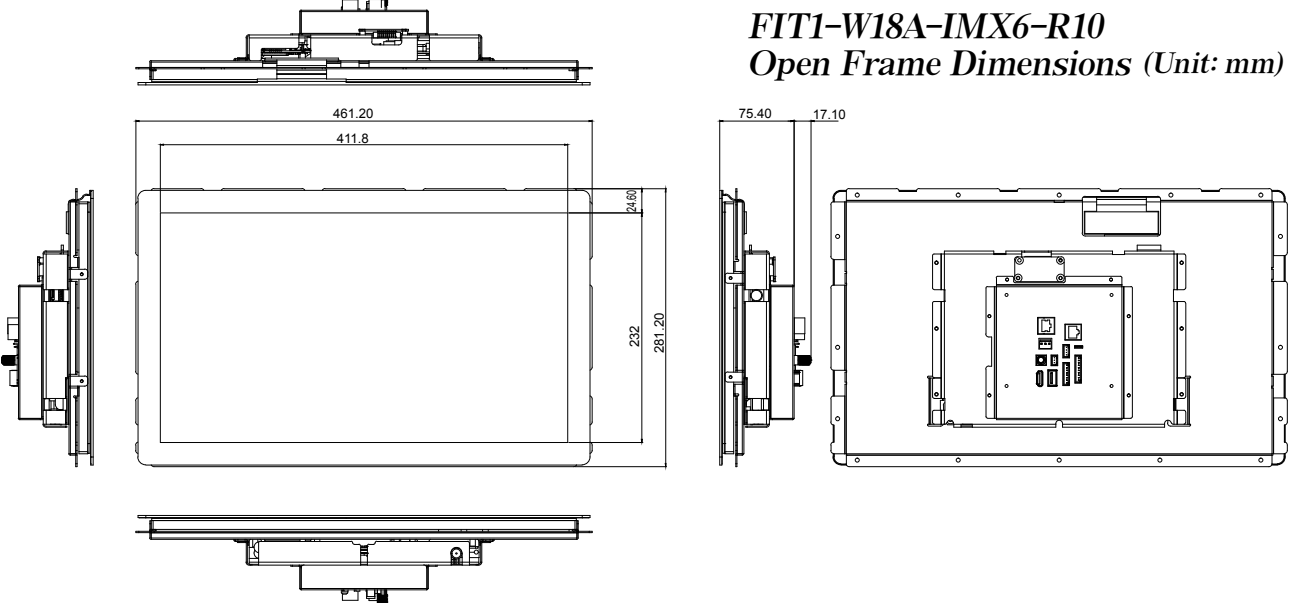
**FIT1-W10A-IMX6-R10**  
**Open Frame Dimensions (Unit: mm)**



**FIT1-W15A-IMX6-R10**  
**Open Frame Dimensions (Unit: mm)**



**FIT1-W18A-IMX6-R10**  
**Open Frame Dimensions (Unit: mm)**



## ● Light Industrial Panel PC



Model	AFL3-W07A-BT-R10	AFL3-W10A-BT-R10	AFL3-12A-BT-R10
Size	7"	10.1"	12.1"
Resolution	1024 x 600 (16:9)	1280 x 800 (16:9)	1024 x 768 (4:3)
Touchscreen	Projected capacitive type	Projected capacitive type	5-wire resistive type/projected capacitive type with USB interface
CPU / Chipset	Intel® Celeron® N2807 (dual core, 1.58 GHz)	Intel® Celeron® J1900 on-board SoC (quad core, 2 GHz)	Intel® Celeron® J1900 on-board SoC (quad core, 2 GHz)
Input / Output	2 x RS-232 COM port (DB-9 connector) 2 x USB 3.0 2 x GbE LAN 1 x Power switch 1 x Reset button 1 x AT/ATX switch 1 x 9V ~ 30V lockable power jack	1 x RS-232 COM port (DB-9 connector) 1 x RS-232/422/485 COM port (DB-9 connector) (R1/5V/12V) 2 x USB 3.0 2 x USB 2.0 2 x GbE LAN 1 x Audio port (line-out) 1 x Power switch 1 x Reset button 1 x AT/ATX switch 1 x 9V ~ 30V DC lockable power jack	1 x RS-232 COM port (DB-9 connector) 1 x RS-232/422/485 COM port (DB-9 connector) (R1/5V/12V) 2 x USB 3.0 2 x USB 2.0 2 x GbE LAN 1 x Audio port (line-out) 1 x Power switch 1 x Reset button 1 x AT/ATX switch 1 x 9V ~ 30V DC lockable power jack

## ● RISC-Based Panel PC



Model	IOVU-12F	IOVU-15F	IOVU-17F
LCD Size	12.1" (4:3)	15" (4:3)	17" (4:3)
Max. Resolution	1024 (W) x 768 (H)	1024 (W) x 768 (H)	1280 (W) x 1024 (H)
Touchscreen	Projected capacitive flat touch	Projected capacitive flat touch	Projected capacitive flat touch
CPU	Freescale™ i.MX6 Cortex™-A9 (quad core, 1 GHz)		
I/O Ports and Switches	1 x RS-232 full function (DB-9) 1 x RS-232/422/485 (DB-9), SW controllable 2 x USB 2.0 host 1 x GbE LAN 1 x CAN 2.0 4 x GPIO		1 x SD slot (up to 32 GB) (hidden) 1 x Power input terminal block (2-pin) 1 x Power on/off switch 1 x Reset button 1 x DC jack

## ● QNAP NAS



Model	TVS-471
CPU	TVS-471-PT-4G: Dual-core Intel® G3250 3.2 GHz Processor TVS-471-i3-4G: Dual-core Intel® Core i3-4150 3.5 GHz Processor
DRAM	System memory: 4 GB DDR3 RAM Memory module pre-installed: 2 GB x2 Total memory slots: 2 Memory expandable up to: 16 GB (8GB x2)
Flash Memory	512MB DOM
Hard Drive	4 x 3.5-inch SATA 6Gb/s, SATA 3Gb/s hard drive or 2.5-inch SATA, SSD hard drive
Hard Drive Tray	4 x hot-swappable and lockable tray
LAN Port	4 x Gigabit RJ-45 Ethernet port (Expandable up to 8 x 1 Gb LAN or 4 x 10 Gb + 4 x 1 Gb LAN by installing optional dual-port 10 Gb and 1 Gb network card)



**Headquarters**  
 威強電工業電腦 IEI Integration Corp.  
 No. 29, Zhongxing Rd., Xizhi Dist., New Taipei City 221, Taiwan  
 TEL : +886-2-86916798 / +886-2-26902098 FAX : +886-2-66160028  
 sales@ieiworld.com www.ieiworld.com

**America**  
 IEI Technology USA Corp.  
 138 University Parkway, Pomona, CA 91768  
 TEL : +1-909-595-2819 FAX : +1-909-595-2816  
 sales@usa.ieiworld.com usa.ieiworld.com

**China**  
 威強電工業電腦 IEI Integration (Shanghai) Corp.  
 上海市闵行莘庄工业区申富路515号  
 515, Shen Fu Rd., Xin Zhuang Industrial Develop Zone, Shanghai, 201108, China  
 TEL:+86-21-3116-7799 FAX:+86-21-3462-7797  
 sales@ieiworld.com.cn www.ieiworld.com.cn