

Features

- Excellent C/P ratio (cost/performance)
- High Color resolution touch screen
- PoE, Power over Ethernet
- RS-232/RS-485 network
- WYSIWYG (What You See Is What You Get) GUI design
- Complete and powerful development tool, easy integration with touch HMI devices, quick design for a variety of applications
- Support the most popular C/C++ language
- Modbus TCP protocol to control remotely I/O modules and integrate with SCADA software
- Workable under tough environments, operating temperature: -20 ~ 70°C



Introduction

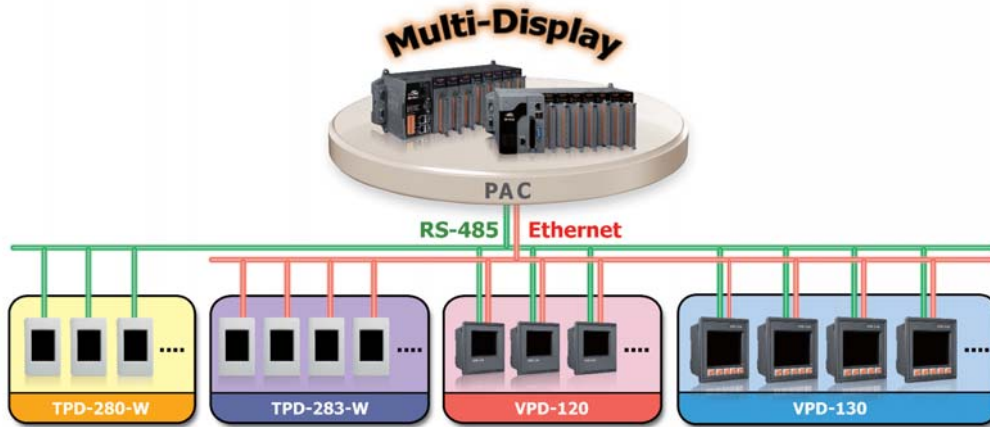
A solution for HMI (Human Machine Interface) is composed of GUI (Graphical User Interface), touch screens, and integrated software development packages. ICP DAS hears the voices of customers and is dedicated to provide a series of complete solutions particularly for intelligent building, equipment monitoring, factory automation and automatic controls. Its development software, HMIWorks, provides plenty of widgets and a variety of templates. Combined with TouchPAD's High Color resolution, GUI can be realized with unique fashion and special styles. Development now is no more difficult and project accomplishment is not far from reach.

Applications

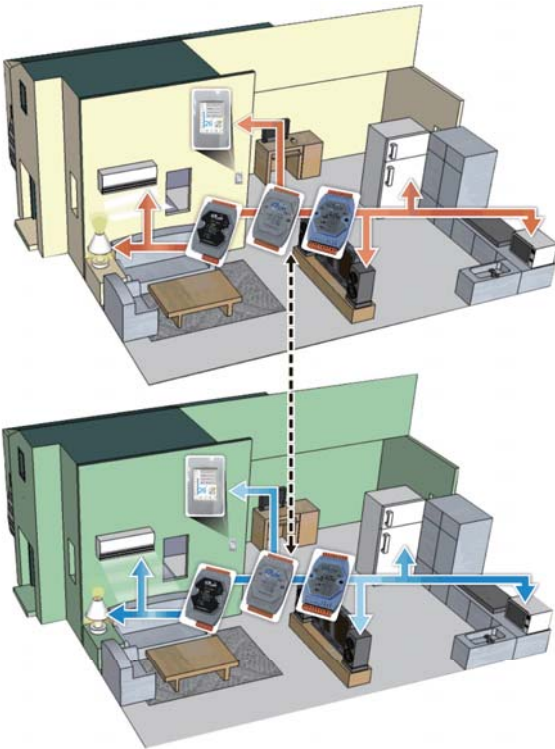


Applications

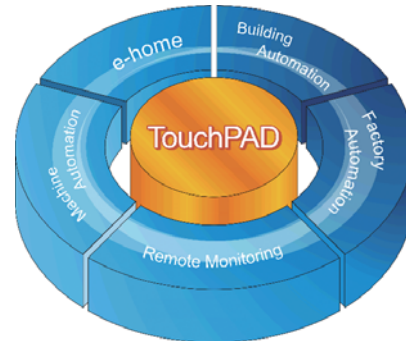
Multi-Display



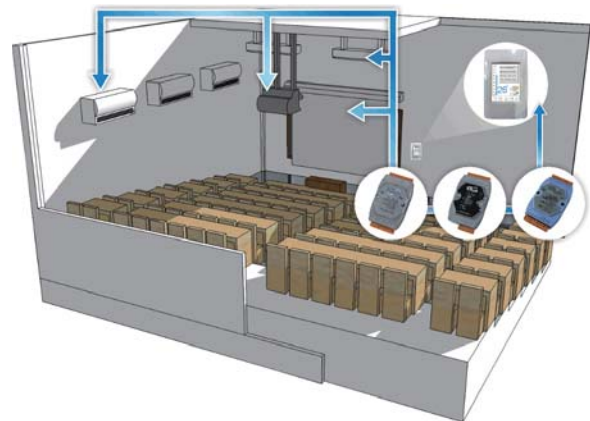
Intelligent Building Example



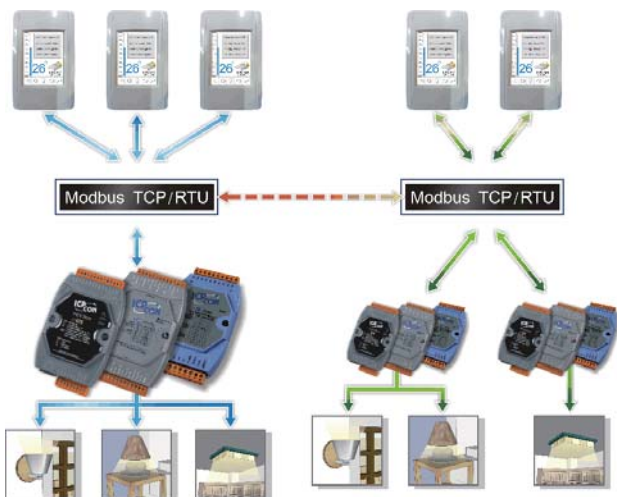
Application Fields of TouchPAD



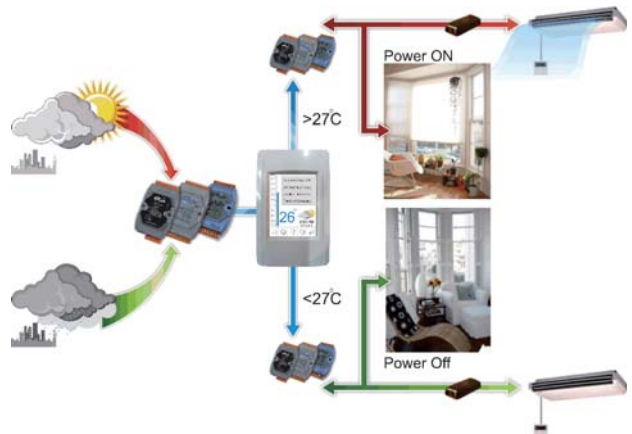
Classroom Automation Example



Single-way, Two-way, Multi-way Switches Example



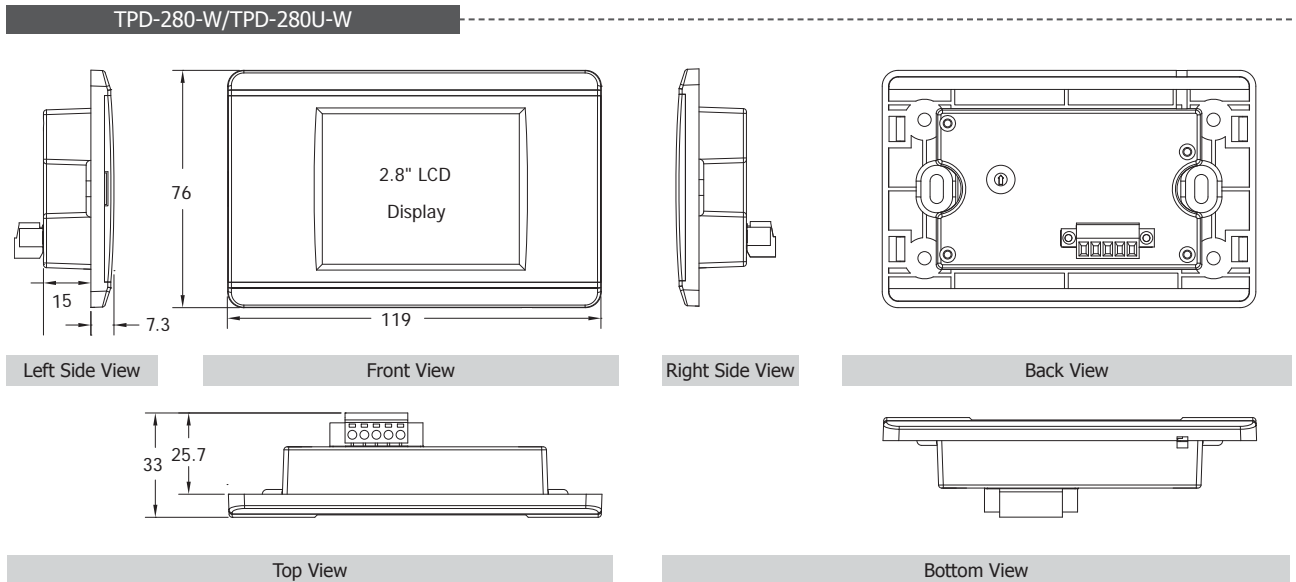
Temperature Control Example



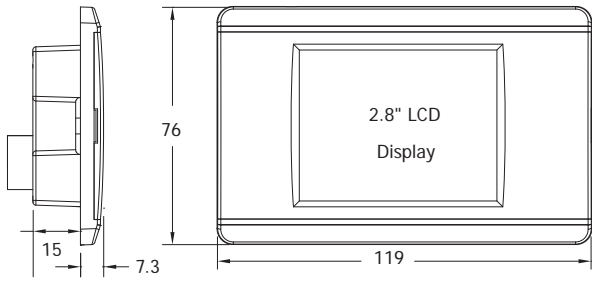
Specifications

Models	TPD-280-W	TPD-280U-W	TPD-283-W	TPD-283U-W	VPD-120	VPD-130
Hardware						
SRAM	64 KB	96 KB	64 KB	96 KB		
Flash	256 KB					
Memory Expansion	-	SDRAM 16 MB/ Flash 16 MB	-	SDRAM 16 MB/Flash 16 MB		
microSD Expansion	Yes	-	Yes	-	Yes	
Communication Method	RS-485		Ethernet (10/100 Mbps)		RS-232, RS-485, Ethernet (10/100 Mbps)	
LCD	2.8" TFT (Resolution 240 x 320 x 16)					3.5" TFT (Resolution 320 x 240 x 16)
Touch Panel	Yes					
Buzzer	Yes					
Rotary Switch (0~9)	Yes					
Audio	-				Yes	
USB Client 1.1	-	Yes	-	Yes		
Reset Button	Yes					
Panel Button	-					Yes
Electrical						
Power	+10 ~ 30 V _{DC}		PoE (IEEE 802.3af, Class 1)		+12 ~ 48 V _{DC} or PoE (IEEE 802.3af, Class 1)	
Mechanical						
Dimension (W X L X H)	76 mm X 119 mm X 33 mm		76 mm X 119 mm X 31 mm		102.2 mm x 102.2 mm x 53.5 mm	
Ingress Protection	Front panel: IP65					
DIN-Rail Mounting	No				Yes	
Wall Mount	Yes				No	
Panel Mount	No				Yes	
Environmental						
Operating Temperature	-20 ~ +70 °C					
Storage Temperature	-30 ~ +80 °C					
Ambient Relative Humidity	10 ~ 90% RH, non-condensing					

Dimensions (Unit: mm)

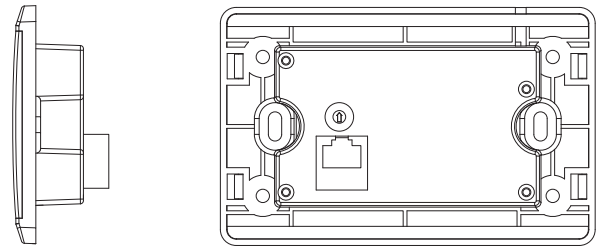


TPD-283-W/TPD-283U-W



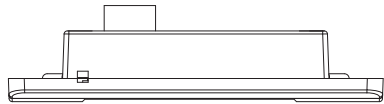
Left Side View

Front View

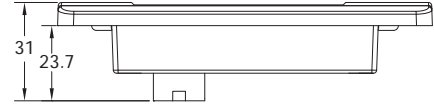


Right Side View

Back View

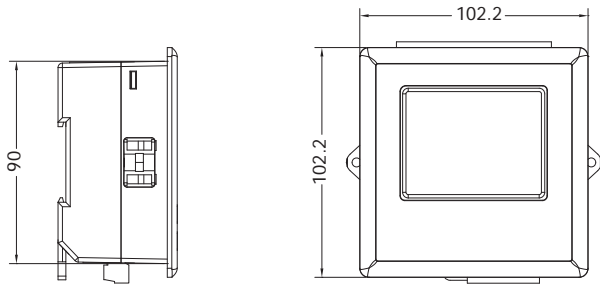


Top View



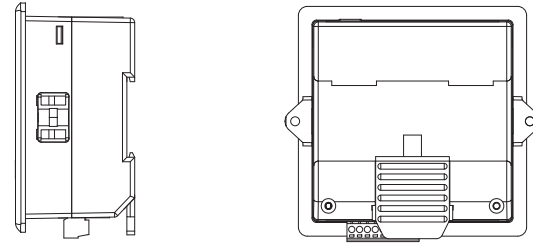
Bottom View

VPD-120



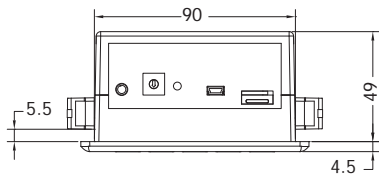
Left Side View

Front View

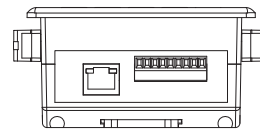


Right Side View

Back View

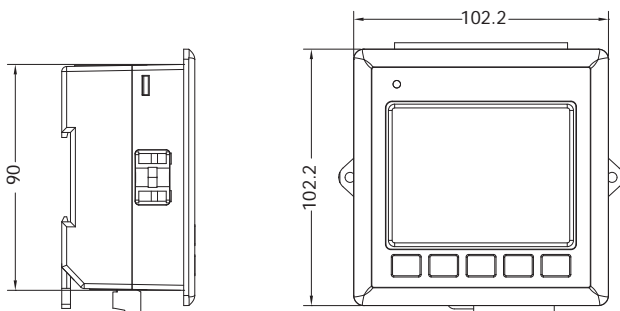


Top View



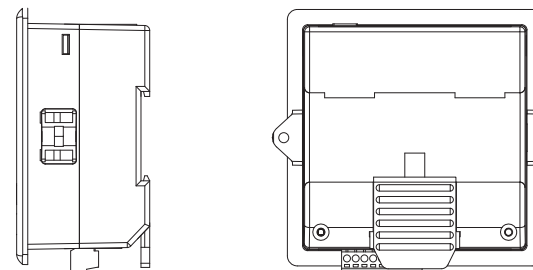
Bottom View

VPD-130



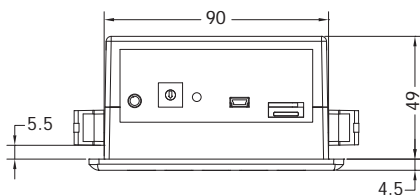
Left Side View

Front View

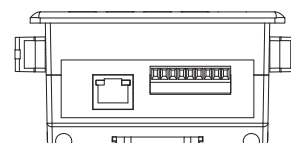


Right Side View

Back View



Top View



Bottom View

Ordering Information

TPD-280-W CR	2.8" touch HMI device with RS-485 (RoHS)
TPD-280U-W CR	2.8" touch HMI device with RS-485, USB client 1.1 (RoHS)
TPD-283-W CR	2.8" touch HMI device with Ethernet (10/100 Mbps) (RoHS)
TPD-283U-W CR	2.8" touch HMI device with Ethernet (10/100 Mbps), USB client 1.1 (RoHS)
VPD-120-W CR	2.8" touch HMI device with RS-232, RS-485, Ethernet (10/100 Mbps), USB client 1.1 (RoHS)
VPD-130-W CR	3.5" touch HMI device with RS-232, RS-485, Ethernet (10/100 Mbps), USB client 1.1 (RoHS)

Accessories

NS-205PSE CR	Unmanaged Industrial PoE (Power over Ethernet) Ethernet Switch (RoHS)
NS-208PSE CR	Unmanaged Industrial PoE (Power over Ethernet) Ethernet Switch (RoHS)
NSM-208PSE CR	Unmanaged Industrial PoE (Power over Ethernet) Ethernet Switch (RoHS)
MDR-60-24 CR	24V/2.5A, 60 W Power Supply with DIN-Rail Mounting (RoHS)
MDR-20-24 CR	24 V _{oc} /1.0 A, 24 W Power Supply with DIN-Rail Mounting (RoHS)
DIN-KA52F CR	24 V _{oc} /1.04 A, 25 W Power Supply with DIN-Rail Mounting (RoHS)
MDR-60-48 CR	48 V _{oc} /1.25 A, 60 W Power Supply with DIN-Rail Mounting (RoHS)
DIN-KA52F-48 CR	48 V _{oc} /0.52 A, 25 W Power Supply with DIN-Rail Mounting (RoHS)
KA52F-48 CR	48 V _{oc} /0.52 A, 25 W Power Supply (RoHS)