

Product Description

The Media Converter complies with IEEE802.3, IEEE802.3u and IEEE802.3x Standards. It is designed to convert data signal between 100 Base-Tx and 100 Base-Fx fast Ethernet.

The 2 Wavelength WDM Converter is designed to fit into the fast growing optical fiber network deployment and adapts the emerging WDM technology and able to expand a copper based network up to 20KM through a single optical fiber and provide Bi-Directional.

The converter is equipped with one fiber optic connectors, two RJ-45 Jacks and one external power supply receptacle. Six LED indicators are built-in for easy diagnosing and monitoring the status of power, UTP Link, UTP Activity, Fiber Link, Fiber Activity, Full duplex and data rates. It can be configured automatically for Full Duplex or Half Duplex operation.

It is compact, cost-effective, low dissipative, high reliable and stable. It can be used in standalone applications or Rack-Mounted applications where multiple media converter can be inserted into a rack-mount chassis (Up 10 units) and allowing all the converters to be powered by a single internal power supply.

Order Information

Table 1: Order Information

| Type | Fiber Type | Wavelength(nm) | Fiber Length(Km) |
|---------|------------|----------------|------------------|
| VDS3312 | SM | 1310T/1550R | 20 |
| VDS3313 | SM | 1550T/1310R | 20 |



Product Features

- Meets IEEE802.3u 100BaseTX and 100BaseFX standards
- Plug-and-Play installation
- 2 Wavelength WDM Technology
- High quality and excellent reliability
- Full-duplex 100Mbps Ethernet operation up to 20Km
- Two RJ45 ports for installation easily
- 6 diagnostic and monitoring LEDs for the status of power, FX link/ACT, TX link/ACT
- Half-duplex and full-duplex identify automatically
- Stand-alone with external power adapter

Contact us now for more information:

VADSYS DIGITAL SYSTEM TECHNOLOGIES CO., LTD.

B-112, #3 Gaopeng Road, Hi-tech District, Chengdu, 610041, China

Tel: (86) 28 8618 1880 exto 817 Fax: (86) 28 8517 8620

E-mail: vad.joseph@gmail.com

Homepage: <http://www.vadsys.com>

Agent:

100BASE BI-DI Media Converter

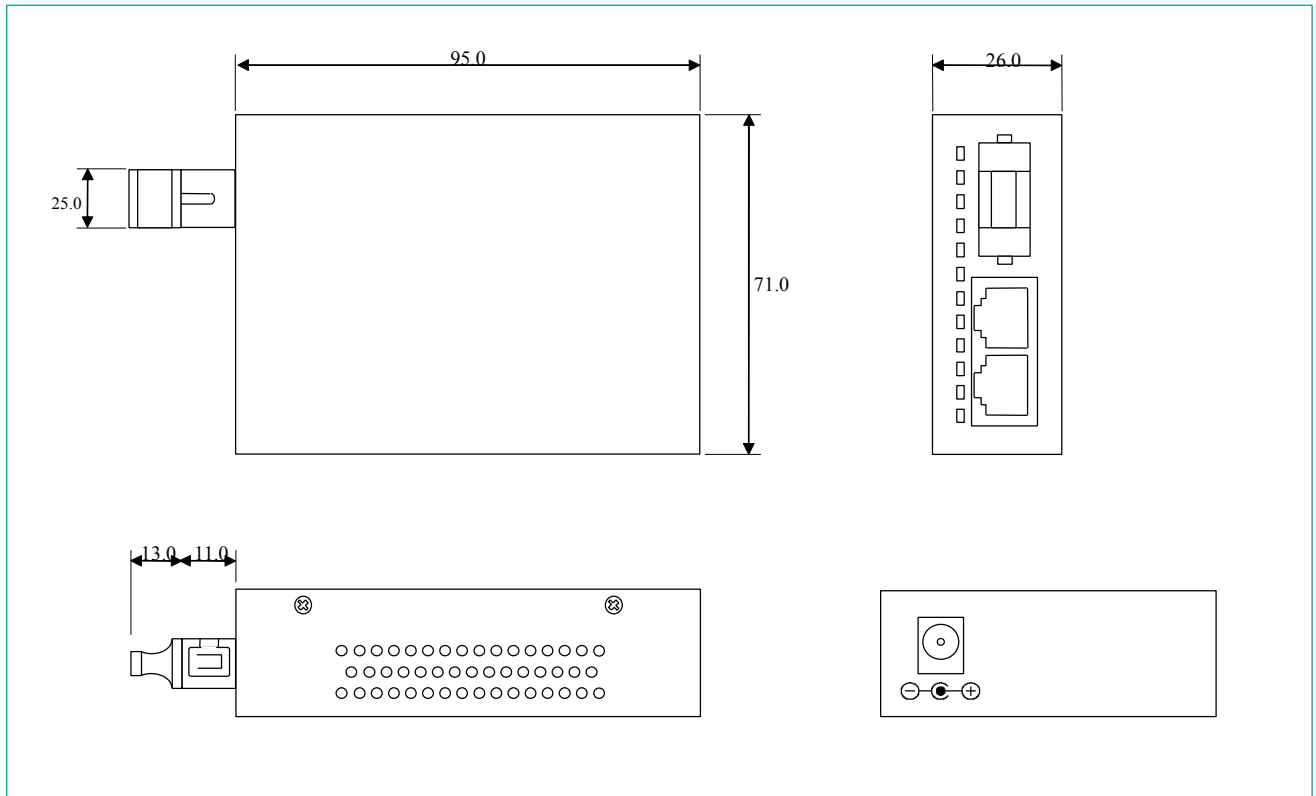
VDS3312/13

Specifications

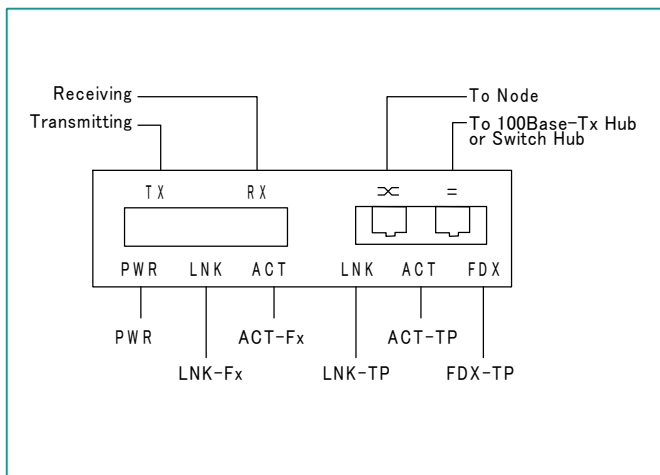
| Parameter | Min. | Typ. | Max. | Units |
|-----------------------------------|--|---------------|--|-------|
| Standard | IEEE802.3 、 IEEE802.3u 、 IEEE802.3x | | | |
| Data Rate | | | 100 | Mbps |
| Operating Wavelength | 1280 1480 | 1310 1550 | 1335 1580 | nm |
| Fiber Interface | SC/PC Fiber Connector, 9/125um Single Mode Fiber | | | |
| RJ45 Port | UTP-100-ohm Cat.5 cable | | | |
| Max Segment Length (UTP) | 0 | | 120 | m |
| Max Segment Length (Fiber) | | | | |
| VDS3312 (1310nm) | | 20 (SM Fiber) | | Km |
| VDS3313 (1550nm) | | 20 (SM Fiber) | | |
| External Power Supply | AC 86~260V 50~60Hz ; | | | |
| Power Supply | +5V DC, 1A | | | |
| Operating Temperature | 0 -20 | | 70 (Business Level) 85 (Industry Level) | °C |
| Storage Temperature | -40 | | 85 | °C |
| Humidity | 5%~90% (Non-condensing) | | | |
| EMI and Safety | CE, FCC Class A | | | |
| Dimensions | 95 mm (L)*71 mm (W) *26 mm (H) | | | |

Outline Drawing

Dimension (mm)



Front Panel



| LED | Color | Function |
|--------|-------|--|
| LNK-FX | Green | Lit when fiber connection is good Blink when fiber data is active |
| ACT-FX | Green | Blink when fiber data is active |
| LNK-TP | Green | Lit when TP connection is good, Blink when TP data is active |
| ACT-TP | Green | Blink when TP data is active |
| FDX-TX | Green | Lit when full-duplex mode is active |
| PWR | Green | Lit when +5V power is coming up |

Note: Specifications subject to change without notice.