

1000M Ethernet Media Fiber Converter

Product Discription

The Media Converter complies with IEEE802.3, IEEE802.3u, IEEE802.3x Standards. It is designed to convert data signal between 1000 Base-Tx and 1000 Base-Fx fast Ethernet. The data signal converted by such high performance media converter can be transmitted up to 10、20Km by fiber-optical cable.

The Converter is equipped with two fiber optic connectors (One for transmitting-Tx and another for receiving-Rx), two RJ-45 Jacks and one internal switching power supply. Six LED indicators are built-in for easy diagnosing and monitoring the status of power, Unshielded Twisted Paired (UTP) Link, UTP Activity, Fiber Link, Fiber Activity, Full duplex and data rates. It can be configured automatically for Full Duplex or Half Duplex operation.

It is compact, cost-effective, low dissipative, high reliable and stable. It can be used in standalone applications with 220VAC or -48VDC power supply

VDS3631/32

Product Features

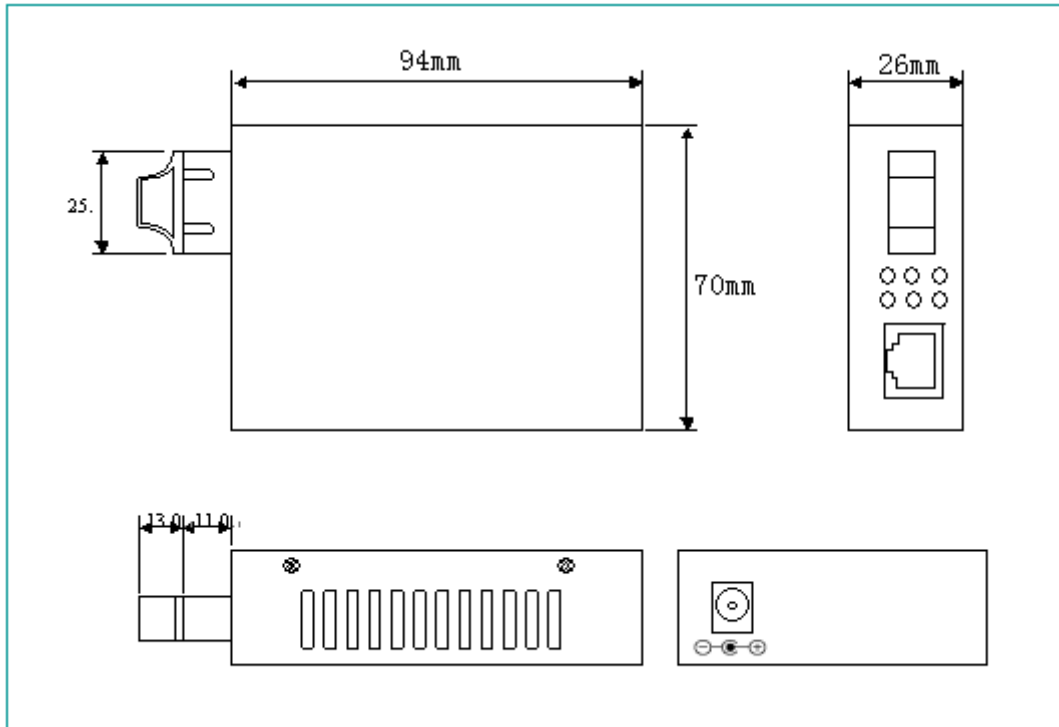
- Meets IEEE802.3u 1000BaseTX and 1000BaseFX standards
- Plug-and-Play installation
- Auto-Negotiation for 100/1000M TP port speed
- 220VAC or -48VDC Internal power supply
- High quality and excellent reliability
- Full-duplex 1000Mbps Ethernet operation up to 10、20Km
- Two RJ45 ports for installation easily
- 6 diagnostic and monitoring LEDs for the status of power, FX link/ACT, TX link/ACT
- Half-duplex and full-duplex identify automatically

1 Specifications

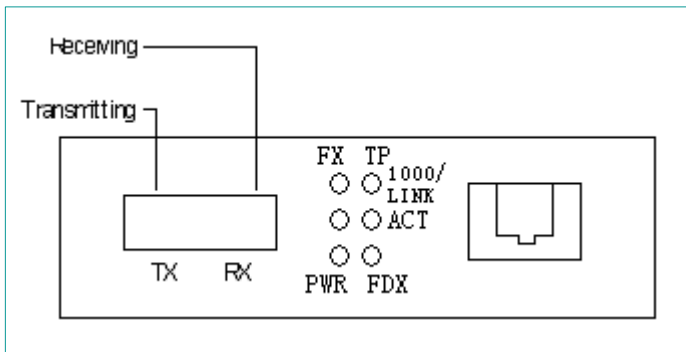
Parameter	Min.	Typ.	Max.	Units
Standard	IEEE802.3 、 IEEE802.3u 、 IEEE802.3x			
Data Rate		1000		Mbps
Operating Wavelength	1280 1480	1310 1550	1335 1580	nm
Fiber Interface	SC/PC Fiber Connector, 9/125um Single Mode Fiber			
RJ45 Port	UTP-100-ohm Cat.5 cable			
Max Segment Length (UTP)	0		120	m
Max Segment Length (Fiber)				
VDS3631 (1310nm)			10 (SM Fiber)	Km
VDS3632 (1310nm)			20 (SM Fiber)	
Power Supply	86~260V AC, 50~60Hz (– 48V DC Optional)			
Operating Temperature	0 -20	Operating Temperature	0 -20	Operating Temperature
Storage Temperature	-40	Storage Temperature	-40	Storage Temperature
Humidity	5%~90% (Non-condensing)			
EMI and Safety	CE, FCC Class A			
Dimensions	170 mm (W)*120 mm (D) *30 mm (H)			

2 Outlet Drawing

3.1 Dimension (mm):



3.2 Front Panel



LED	Color	Function
PWR	Green	Lit when fiber connection is good Blink when fiber data is active
LNK-FX	Green	Blink when fiber data is active
TP1000/LINK	Green	Lit when TP connection is good, Blink when TP data is active
TP ACT	Green	Blink when TP data is active
TP FDX	Green	Lit when full-duplex mode is active

Note: Specifications subject to change without notice.