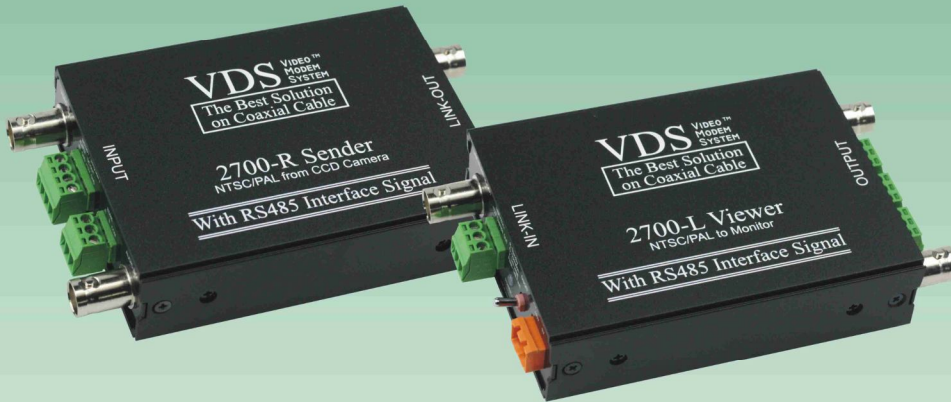


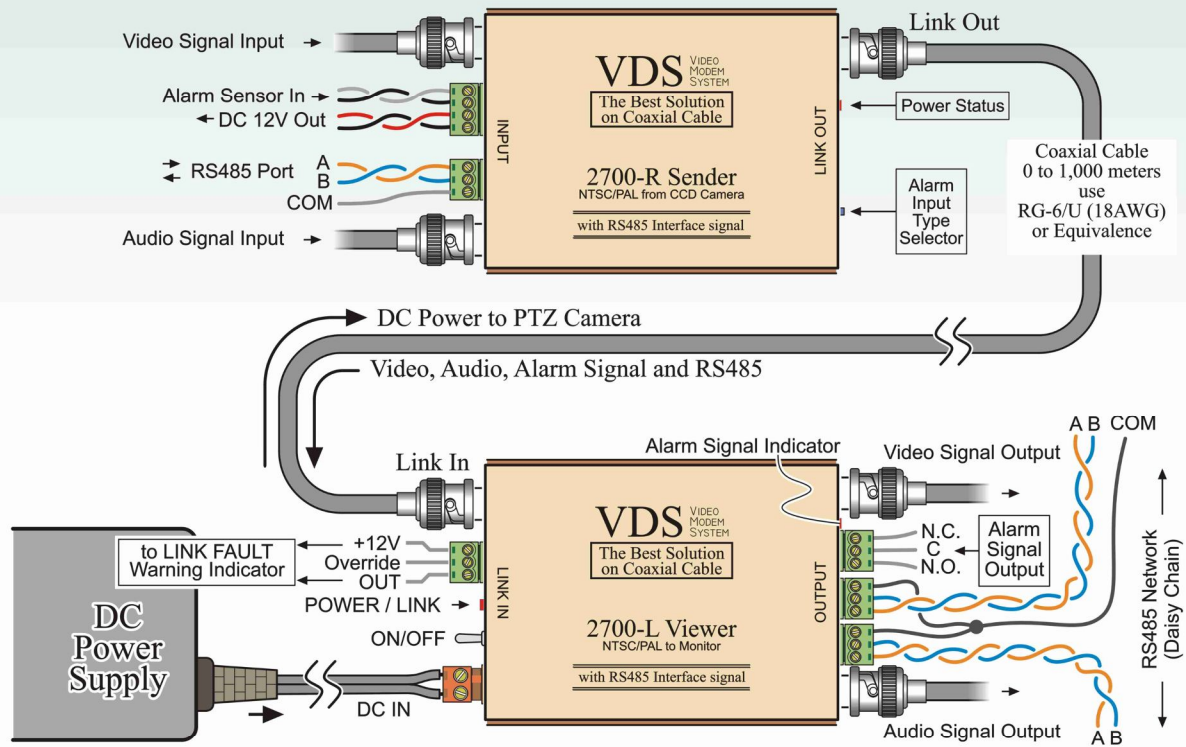
The Best CCTV Solution for **PTZ Camera Connections** Over One Coaxial Cable for Long Distance

No signal lost, no hum, no twist and no interference



New Model: VDS 275X series
 • More DC power transmission to Camera
 • Better performance and additional functions
 • Long distance over 1,000Meters

VDS2700 Connection Diagrams



Sending PTZ camera via only one coaxial cable Transmission distance: 800M (using 5C-2V or RG-6/U)

- Supports P/T/Z (pan, tilt, zoom) Camera & RS-485 from DC (0bps) to 38.4 Kbps, Half duplex channel for RS-485 port
- Displays power status for transmission to camera and link status for connection
- Link fault external indicator
- Built-in advanced alarm^{*1} signals transmission
- Built-in Transient Voltage Suppressor (TVS) and Gas Tube Arrester protection
- Provides sufficient power of DC12V 1.0 ampere into camera
- Patents^{**2} cover the design, operation, and techniques.
- Given above features, VDS 2700-R Sender & 2700-L Viewer unit transmit high quality Video, RS485 data, Audio, functional alarm signal, & reversed DC power

Notes

*1. Advanced alarm is utilized safety alarm sensors input mode, which can switch to terminal mode or N.C. or N.O.; therefore, this VDS system embed alarm detector and indicator

**2. US Patent : US6,369,699 B1