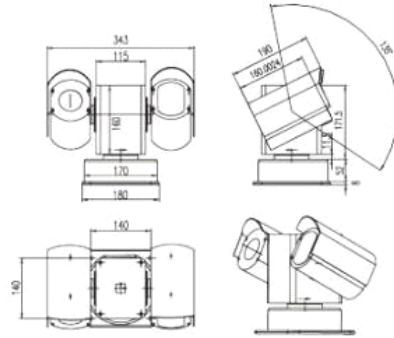


## PT5-IR: Infra Red High Speed PTZ System



PRODUCT DIMENSIONS(unit:mm)

### Features:

- With infrared LED range up to 80 meters, It could catching image promptly at night
- Weatherproof design, high die-cast aluminum casing, protection grade IP66
- It could widely used for the environment such us night, bad environment, and farther range control.
- Super shockproof, especially suitable for car surveillance.
- 128 preset positions and with 8 cruising tracks
- 360°continuously rotation, the range upward angle up to 180°, no blind spot .
- AC24V power input( Vehicle input:DC10.5V~DC12V)

### Specification:

|                       |                             |                             |
|-----------------------|-----------------------------|-----------------------------|
| Weight                | 5.5 KG                      |                             |
| Installation          | Wall Mount/Vehicle          |                             |
| Humidity              | <90%                        |                             |
| Operating temperature | -35℃ ~ + 55 ℃               |                             |
| Environment           | IP66                        |                             |
| <b>Model</b>          | <b>PT5-IR18</b>             | <b>PT5-IR36</b>             |
| Effective pixels      | 1/4" SONY Exview HAD<br>CCD | 1/4" SONY Exview HAD<br>CCD |
| Image sensor          | 752 (H) x 582 (V) 440K      | 752 (H) x 582 (V) 440K      |
| Viewing Angle         | 48° (W) ~2.8° (T)           | 57.8° (W) ~1.7° (T)         |
| Sync.Systems          | Internal/Line-Lock          | Internal/Line-Lock          |
| Video Output Level    | 1.0Vp-p (75Ω, composite)    | 1.0Vp-p (75Ω, composite)    |
| White Balance         | Auto/Manual                 | Auto/Manual                 |
| Scan systems          | 15.625kHz 50Hz              | 15.625kHz 50Hz              |
| Horizontal Resolution | 480TVL                      | 530TVL                      |
| S/N Ratio             | ≥50dB                       | ≥50dB                       |
| Electronic shutter    | 1/1 ~ 1/10,000s             | 1/1 ~ 1/10,000s             |
| Min. Illumination     | 0.7 Lux (50IRE)             | 0.1 Lux (50IRE)             |
| Lens                  | 18× F=4.1-73.8mm            | 36× F=3.4-122.4mm           |
| Digital zoom          | 12×                         | 12×                         |
| Iris&Focus            | Auto/Manual                 | Auto/Manual                 |