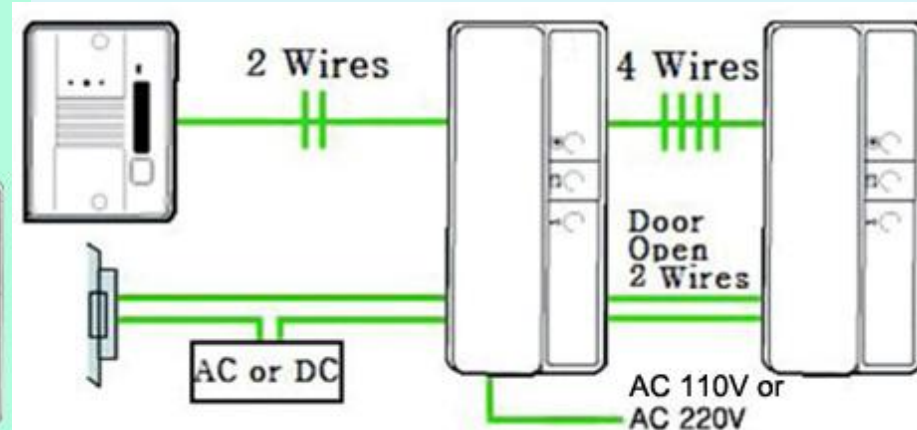


COMBINED DOOR PHONE

Model :LP-270 + LP271 + LS-20 / LS-10



System Configuration



Features

- 2 Indoor Stations + 1 Outdoor Station
- Intercom between 2 Indoor Stations
- Audio Communication with Visitor
- High Sensitivity Audio Quality
- Door Open Function
- Built-in AC Power 110V or 220V
- Vandal Proof Metal Outdoor Station LS-10
- * Plastic Case LS-20

For Your Safety, NOVOTEK!!