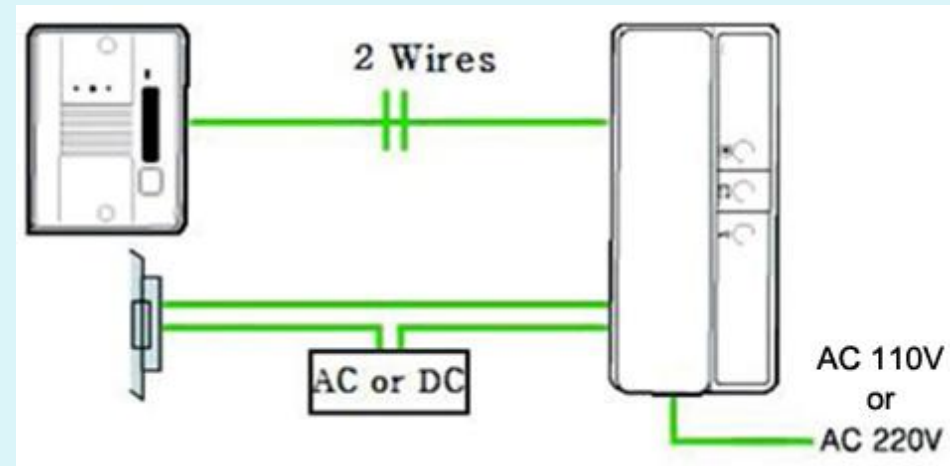


DOOR PHONE

Model :LP-260 + LS-20 / LS-10



System Configuration



Features

- Easy Installation with 2 Wires Non-Polarity
- Audio Communication with Visitor
- High Sensitivity Audio Quality
- Door Open Function
- Built-in AC Power 110V or 220V
- Vandal Proof Metal Outdoor Station LS-10
- * Plastic Case LS-20

For Your Safety, NOVOTEK!!