

## SDH Series

### SDH-4816

16 CH SET,  
Real Time (Full D1) display/recording



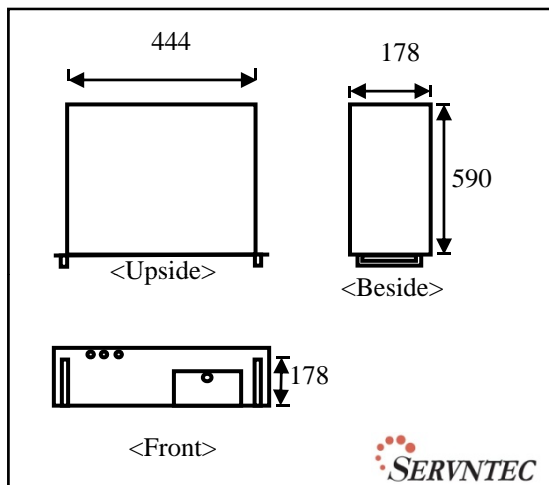
#### Key Features

- ✓ Full D1 (Live recording) & live display
- ✓ Hardware MPEG4 level 5 (I,P,B frame support), CPU Load : 10~20% only
- ✓ Perfect Video / Audio Synchronization → Built-in audio codec (Mpeg4 layer2)
- ✓ PCI express support
- ✓ Support 6 internal hard disks (IDE and S-ATA)
- ✓ Stable and seamless file system (Image DB basket 100MB)
- ✓ Excellent image quality and appropriate file size (Hardware MPEG 4)
- ✓ Various backup mode : Schedule/Concurrent/Manual/Direct/AVI and Jpeg/
- ✓ Remote SW(NCMS)
  - Free Multiple DVRs control( Central Management SW)
  - Remote Live/Search/Setup/Spot recording (NCMS Lite)
  - Event Scenario and Control/E-map/Health Checking (NCMS Pro)
  - Dynamic IP support
  - Easy and intuitive <Drag & Drop> function
  - Remote 2 way audio, Live Audio
  - Various events control : Popup/Border and event list control (DB)
- ✓ Web DVR (Internet Explorer)
  - Dynamic IP support/Direct web support
  - DIMS supplying to run Dynamic IP management Server for dealer

#### Specification

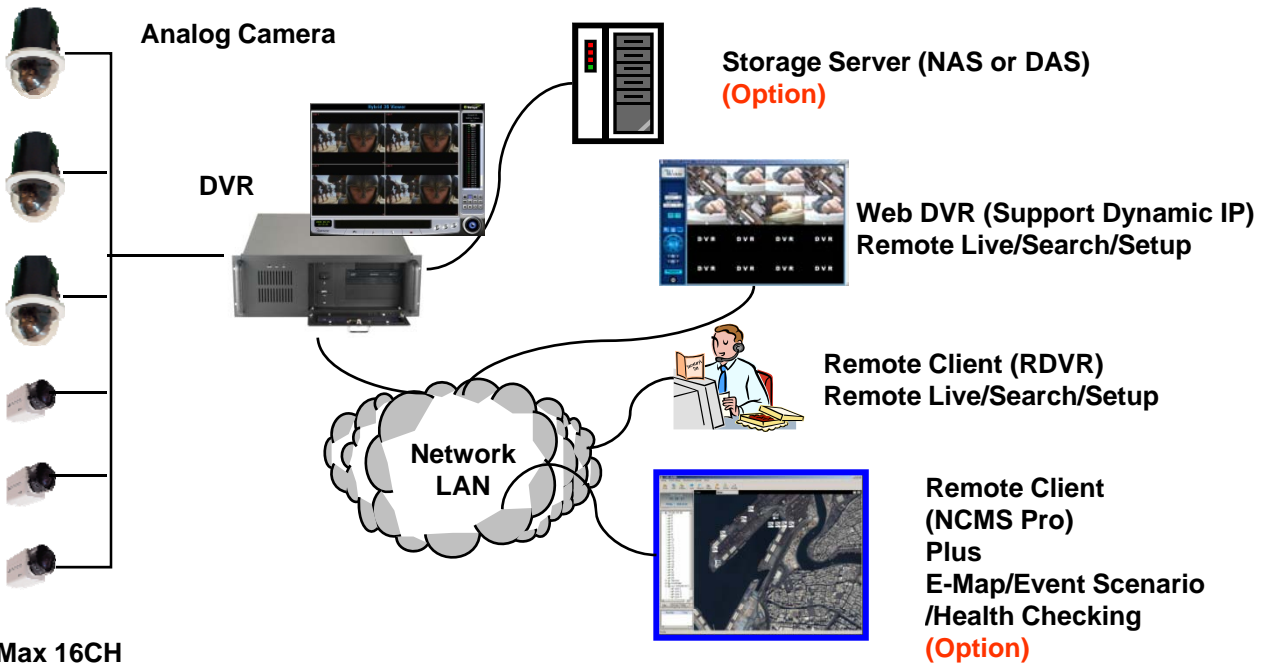
MODEL	SDH-4816
<b>GENERAL</b>	
Operation System	WIN XP,2000,Vista
Video Input	16
Video Output	1 XGA, 4 Composite (1CH Rotation), 4 Spot-out
Alarm Input	16
Alarm / Relay Output	4 Alarm / Relay Output
Audio Input	16
Loop-out	L-out 16 X 1 (option)
Control Device	Mouse, Keyboard, Virtual Keyboard
Archiving	USB (Stick, HDD, DVD), CD-RW, DVD-RW
PTZ Control	RS 422/485, USB serial converter
HDD (Option) : Internal	4 EA (max), each 250 GB ~ 1 TB
HDD (Option) : External	Yes
System Requirement (Default)	250GB HDD + DVD-RW
<b>DISPLAY</b>	
Codec	Hardware MPEG 4
Resolution : NTSC	720 X 480 , 720 X 240 , 360 X 240
Resolution : PAL	720 X 576 , 720 X 288 , 360 X 288
Live Monitoring (NTSC/PAL)	Real Time (Full D1)
Live Screen Division	1,4,9,10,16
Live Digital Zoom	No
Recording FPS (NTSC/PAL)	Real Time @ CIF, 2 CIF, 4 CIF
Playback Screen Division	1,4,9,16
Playback Digital Zoom	Yes
<b>FUNCTION</b>	
Recording Modes	Continues / Motion / Sensor /Sensor &Motion
Multi Language Support	Yes
POS/ATM Interface	No / No
Hybrid Support	No
Third-party Dome Protocols	Yes
Pre-set / Touring	Yes
Pre-Alarm	Continues 1fps , Event 30fps
Image Authentication	Yes
Raid Storage	Yes
<b>REMOTE</b>	
View Live / Playback	Yes
Remote Setup / PTZ Control	Yes / Yes
E-mail on Alarm	Yes
Web Browser	Live View / Search / PTZ
PDA Client	Yes
<b>MECHANICAL</b>	
Dimension (W X D X H), m/m	4U 19inch Rack type : 444X590X178 (560X630X300 Packing)
Weight (Shipping weight)	22 Kg
Approvals	CE, FCC, ROHS

#### External Dimension



# PC DVR

## System Configuration



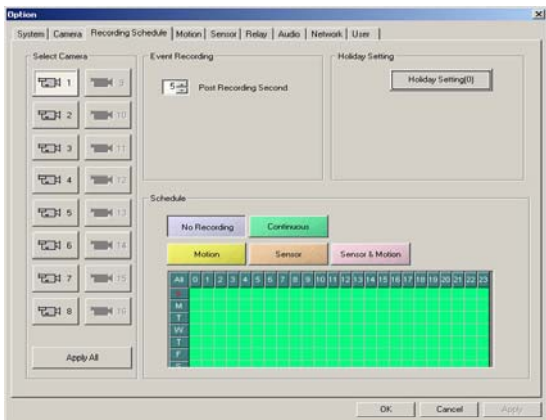
## Graphic User Interface



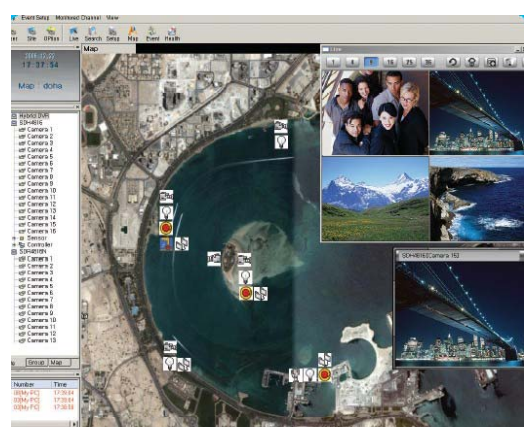
<Live Monitoring>



<Playback Screen>



<Setup Mode>



<NCMS>

## SDH Series

### SDH-2408

8 CH SET,  
Real Time (Full D1) display/recording



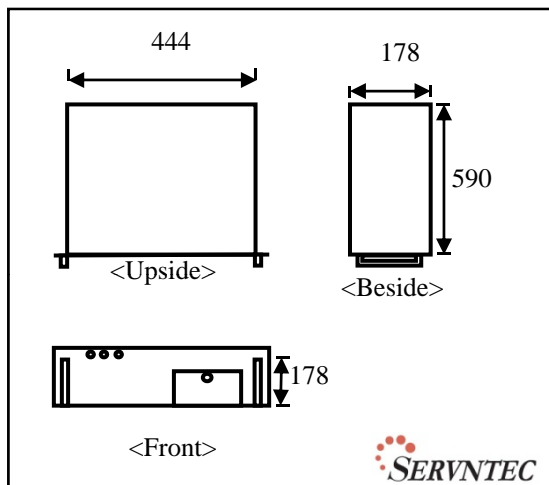
#### Key Features

- ✓ Full D1 (Live recording) & live display
- ✓ Hardware MPEG4 level 5 (I,P,B frame support), CPU Load : 10~20% only
- ✓ Perfect Video / Audio Synchronization → Built-in audio codec (Mpeg4 layer2)
- ✓ PCI express support
- ✓ Support 6 internal hard disks (IDE and S-ATA)
- ✓ Stable and seamless file system (Image DB basket 100MB)
- ✓ Excellent image quality and appropriate file size (Hardware MPEG 4)
- ✓ Various backup mode : Schedule/Concurrent/Manual/Direct/AVI and Jpeg/
- ✓ Remote SW(NCMS)
  - Free Multiple DVRs control( Central Management SW)
  - Remote Live/Search/Setup/Spot recording (NCMS Lite)
  - Event Scenario and Control/E-map/Health Checking (NCMS Pro)
  - Dynamic IP support
  - Easy and Intuitive <Drag & Drop> function
  - Remote 2 way audio, Live Audio
  - Various events control : Popup/Border and event list control (DB)
- ✓ Web DVR (Internet Explorer)
  - Dynamic IP support/Direct web support
  - DIMS supplying to run Dynamic IP management Server for dealer

#### Specification

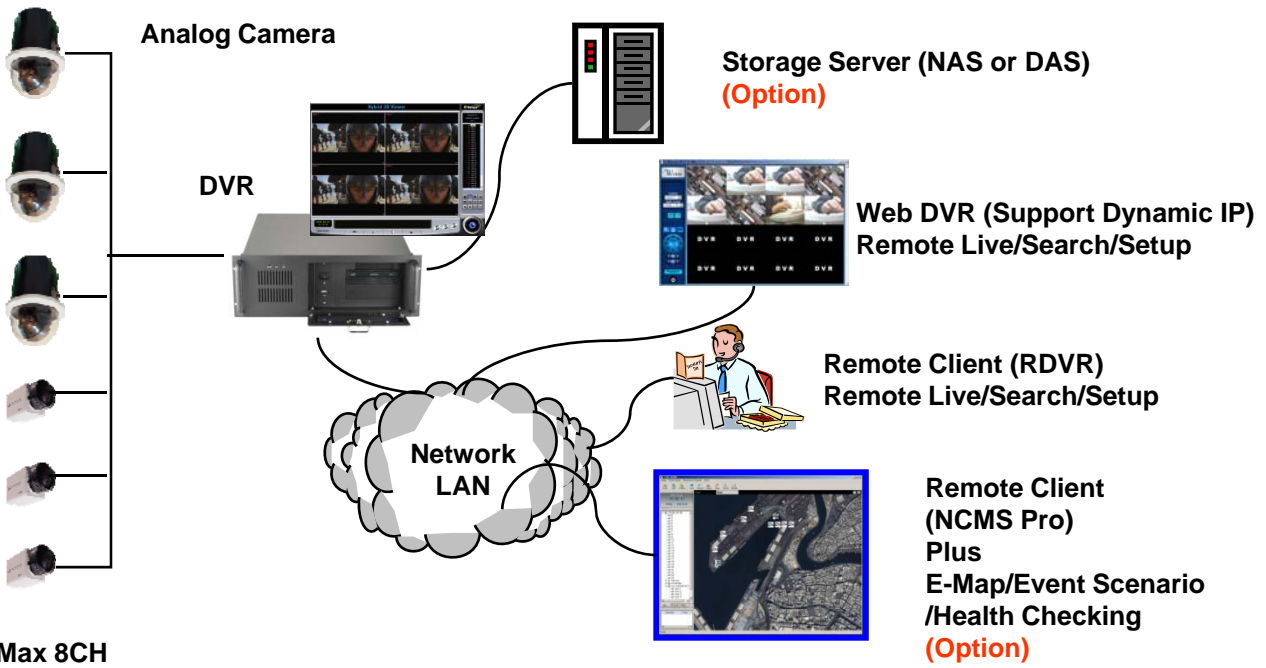
MODEL	SDH-2408
<b>GENERAL</b>	
Operation System	WIN XP,2000,Vista
Video Input	8
Video Output	1 XGA, 1 Composite (Mux), 4 Spot-out (option)
Alarm Input	16
Alarm / Relay Output	4 Alarm / Relay Output
Audio Input	8
Loop-out	L-out 8 X 1 (option)
Control Device	Mouse, Keyboard, Virtual Keyboard
Archiving	USB (Stick, HDD, DVD), CD-RW, DVD-RW
PTZ Control	RS 422/485, USB serial converter
HDD (Option) : Internal	4 EA (max), each 250 GB ~ 1 TB
HDD (Option) : External	Yes
System Requirement (Default)	250GB HDD + DVD-RW
<b>DISPLAY</b>	
Codec	Hardware MPEG 4
Resolution : NTSC	720 X 480 , 720 X 240 , 360 X 240
Resolution : PAL	720 X 576 , 720 X 288 , 360 X 288
Live Monitoring (NTSC/PAL)	Real Time (Full D1)
Live Screen Division	1,4,9
Live Digital Zoom	No
Recording FPS (NTSC/PAL)	Real Time @ CIF, 2 CIF, 4 CIF
Playback Screen Division	1,4,9
Playback Digital Zoom	Yes
<b>FUNCTION</b>	
Recording Modes	Continues / Motion / Sensor /Sensor &Motion
Multi Language Support	Yes
POS/ATM Interface	No / No
Hybrid Support	No
Third-party Dome Protocols	Yes
Preset / Touring	Yes
Pre-Alarm	Continues 1fps , Event 30fps
Image Authentication	Yes
Raid Storage	Yes
<b>REMOTE</b>	
View Live / Playback	Yes
Remote Setup / PTZ Control	Yes / Yes
E-mail on Alarm	Yes
Web Browser	Live View / Search / PTZ
PDA Client	Yes
<b>MECHANICAL</b>	
Dimension (W X D X H), m/m	4U 19inch Rack type : 444X590X178 (560X630X300 Packing)
Weight (Shipping weight)	22 Kg
Approvals	CE, FCC, ROHS

#### External Dimension



# PC DVR

## System Configuration



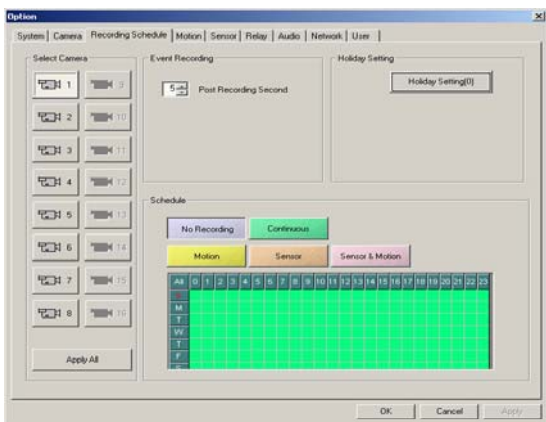
## Graphic User Interface



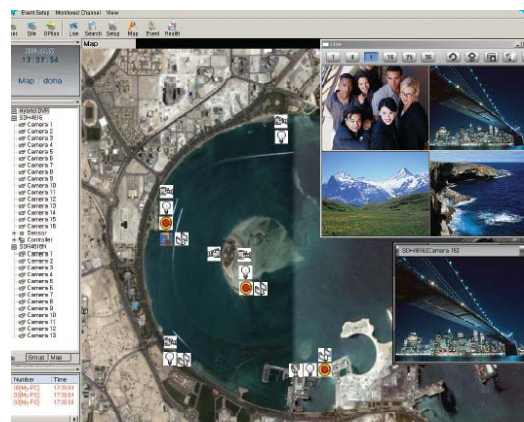
<Live Monitoring>



<Playback Screen>



<Setup Mode>



<NCMS>

## SDH Series

### SDH-1204

4 CH SET,  
Real Time (Full D1) display/recording



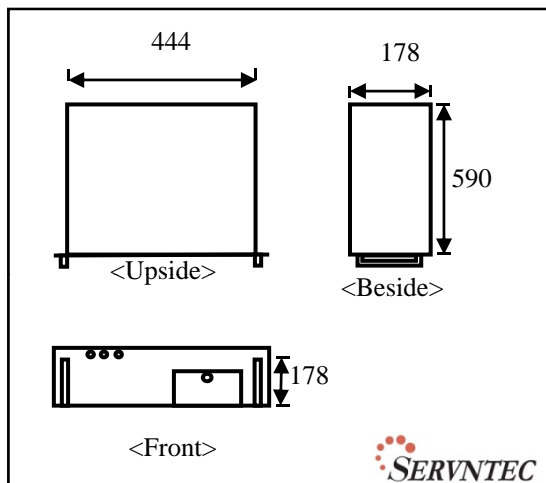
#### Key Features

- ✓ Full D1 (Live recording) & live display
- ✓ Hardware MPEG4 level 5 (I,P,B frame support), CPU Load : 10~20% only
- ✓ Perfect Video / Audio Synchronization → Built-in audio codec (Mpeg4 layer2)
- ✓ PCI express support
- ✓ Support 6 internal hard disks (IDE and S-ATA)
- ✓ Stable and seamless file system (Image DB basket 100MB)
- ✓ Excellent image quality and appropriate file size (Hardware MPEG 4)
- ✓ Various backup mode : Schedule/Concurrent/Manual/Direct/AVI and Jpeg/
- ✓ Remote SW(NCMS)
  - Free Multiple DVRs control( Central Management SW)
  - Remote Live/Search/Setup/Spot recording (NCMS Lite)
  - Event Scenario and Control/E-map/Health Checking (NCMS Pro)
  - Dynamic IP support
  - Easy and Intuitive <Drag & Drop> function
  - Remote 2 way audio, Live Audio
  - Various events control : Popup/Border and event list control (DB)
- ✓ Web DVR (Internet Explorer)
  - Dynamic IP support/Direct web support
  - DIMS supplying to run Dynamic IP management Server for dealer

#### Specification

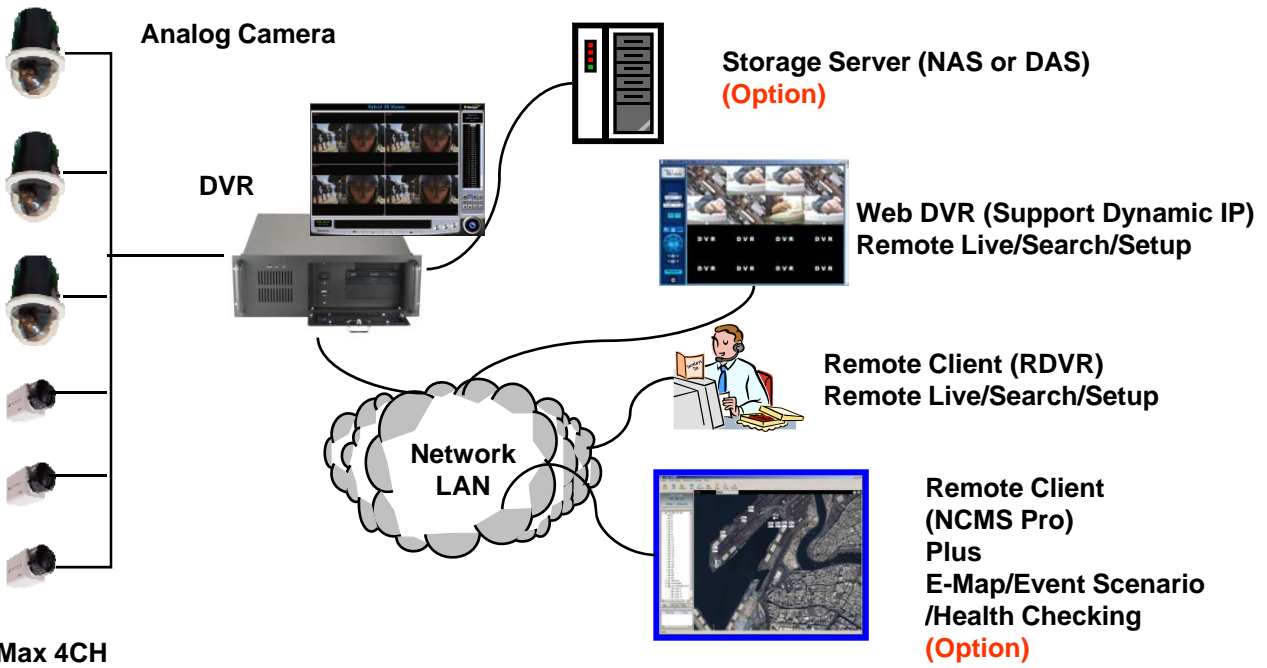
MODEL	SDH-1204
<b>GENERAL</b>	
Operation System	WIN XP,2000,Vista
Video Input	4
Video Output	1 XGA, 1 Composite (Mux), 4 Spot-out (option)
Alarm Input	4
Alarm / Relay Output	4 Alarm / Relay Output
Audio Input	4
Loop-out	L-out 4 X 1 (option)
Control Device	Mouse, Keyboard, Virtual Keyboard
Archiving	USB (Stick, HDD, DVD), CD-RW, DVD-RW
PTZ Control	RS 422/485, USB serial converter
HDD (Option) : Internal	4 EA (max), each 250 GB ~ 1 TB
HDD (Option) : External	Yes
System Requirement (Default)	250GB HDD + DVD-RW
<b>DISPLAY</b>	
Codec	Hardware MPEG 4
Resolution : NTSC	720 X 480 , 720 X 240 , 360 X 240
Resolution : PAL	720 X 576 , 720 X 288 , 360 X 288
Live Monitoring (NTSC/PAL)	Real Time (Full D1)
Live Screen Division	1,4
Live Digital Zoom	No
Recording FPS (NTSC/PAL)	Real Time @ CIF, 2 CIF, 4 CIF
Playback Screen Division	1,4
Playback Digital Zoom	Yes
<b>FUNCTION</b>	
Recording Modes	Continues / Motion / Sensor /Sensor &Motion
Multi Language Support	Yes
POS/ATM Interface	No / No
Hybrid Support	No
Third-party Dome Protocols	Yes
Pre-set / Touring	Yes
Pre-Alarm	Continues 1fps , Event 30fps
Image Authentication	Yes
Raid Storage	Yes
<b>REMOTE</b>	
View Live / Playback	Yes
Remote Setup / PTZ Control	Yes / Yes
E-mail on Alarm	Yes
Web Browser	Live View / Search / PTZ
PDA Client	Yes
<b>MECHANICAL</b>	
Dimension (W X D X H), m/m	4U 19inch Rack type : 444X590X178 (560X630X300 Packing)
Weight (Shipping weight)	22 Kg
Approvals	CE, FCC, ROHS

#### External Dimension



# PC DVR

## System Configuration



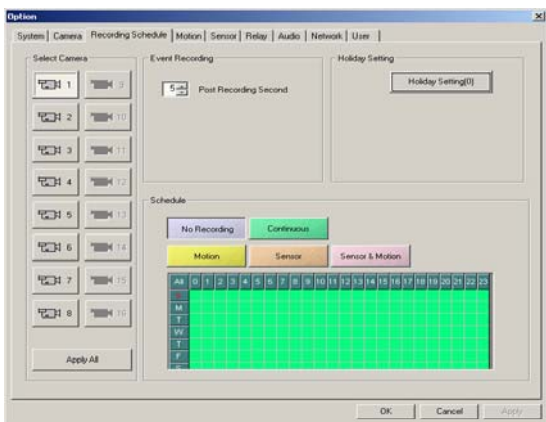
## Graphic User Interface



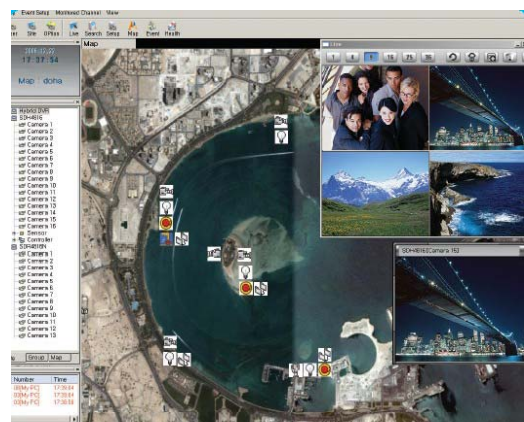
<Live Monitoring>



<Playback Screen>



<Setup Mode>



<NCMS>