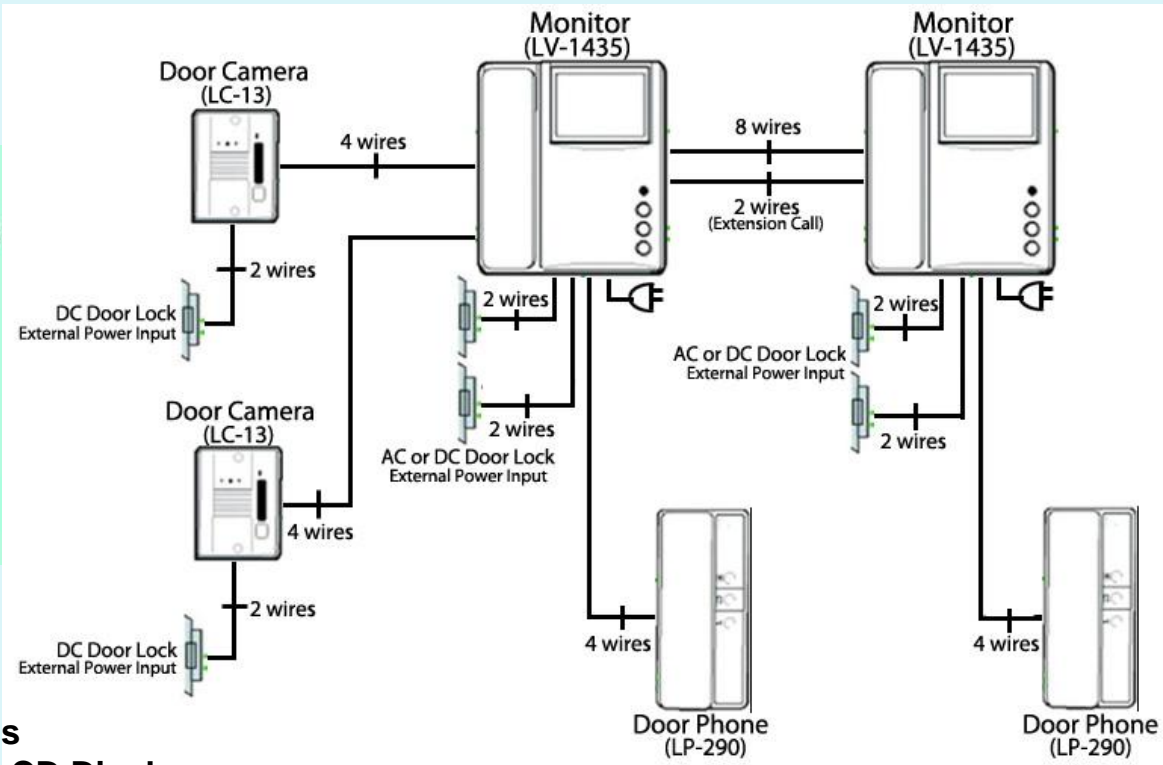


# 3.5 INCH COLOR VIDEO DOOR PHONE



## System Configuration

### Features

- 3.5 inch color TFT LCD Monitor with 4 Wires
- Clear and High Quality Image with Digital LCD Display
- 2 Monitors, 2 Cameras, 2 Door phones Connection capability
- Monitor System PAL/NTSC Auto Switching
- Energy Saving, Lower Power Consumption LED Back-Light
- Intercom Function between Monitors and an Optional Door phone LP-290
- Vandal Proof Metal Pin-Hole Camera LC-13, Flush & Surface Mount
- Plastic Case Pin-Hole Lens Camera LC-23, Surface Mount
- Door Opener Connection from Either Monitor or Door Camera
- UPT cat. 5 Cable Usable up to 100m
- Dual Voltage AC110V~220V

**For Your Safety, NOVOTEK!!**