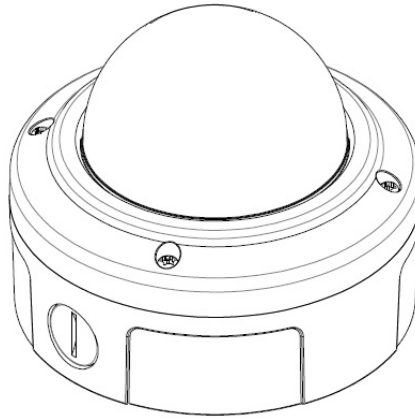


OPERATING MANUAL

1/3" COLOR 3-AXIS VANDAL & WEATHER RESISTANT V.F. IR DOME CAMERA WITH ICR



GENERAL DESCRIPTION

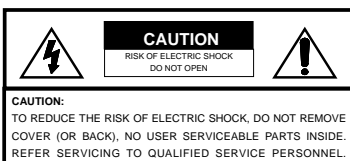
Thank you for choosing our Vari-focal Vandal Proof DSP color dome camera with a built in 3.7~12mm auto iris DC drive lens, this camera can operate in any light condition including total dark. It employs a 1/3" SONY Super-HAD CCD sensor, utilizing advanced DSP technology to achieve a 520 TV lines crisp image and stable picture quality through day and night function.

CAUTION

1. Do not touch the surface of image sensor. If it is touched accidentally it must be cleaned by cloth moistened with alcohol.
2. Before operation, ensure that the supply voltage is correct as specified.
3. Avoid focusing on the sun directly.
4. Do not attempt to service this unit yourself unless you are authorized to do so. Opening or removing cover may expose you to dangerous voltage or other hazards.

CONNECTOR

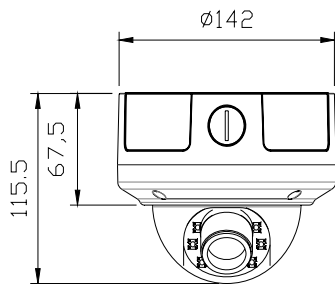
1. BNC video monitor.
2. DC Connector



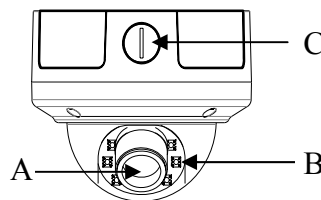
FEATURES

- Color dome camera with SONY 1/3" CCD sensor.
- Employs Digital Signal Processor (DSP) chip-set for image control.
- Pixel number: NTSC=380K / PAL=440K (High Resolution).
- High sensitivity, low smear, high anti-blooming and high S/N ratio.
- Built-in functions: Auto Electronic Shutter (AES), Auto Gain Control (AGC), Auto Tracing White Balance (ATW).
- Built-in Vari-Focal DC-Drive auto iris lens.
- OLPF auto switching (IR-Cut Removable).
- Built-in 11 units of high efficiency IR LED.
- CCD color image automatically changed into B/W image in low light environments.
- Furnished with DC power cable and video cable.
- Max. 10 pounds sledgehammer impact durability.
- Water resistant IP66 protection.
- 3-axis for wall or ceiling mounting with flexible lens rotation.
- Easy installation with attached cap.

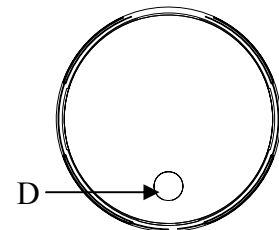
NAME OF PARTS AND FUNCTIONS



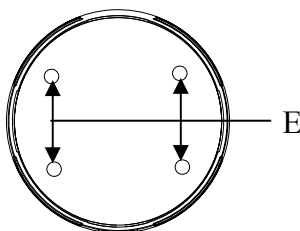
Dimensions



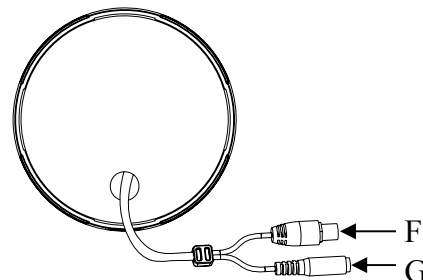
Front View



Bottom View



Top View



Bottom View

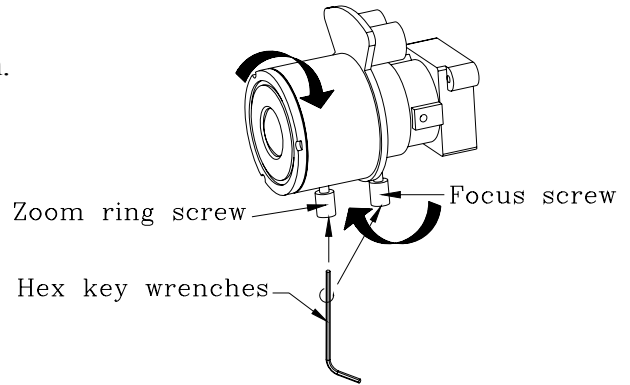
- | | |
|-----------------------|-------------------------------|
| E. Lens | A. Inner plate mounting holes |
| F. IR-LED | B. BNC Connector |
| G. Side conduit entry | C. DC Connector |
| H. Back conduit entry | |

INSTALLATION INSTRUCTIONS

- (1) Connect the camera to a monitor with 75ohm type coaxial cable.
- (2) Connect the power cord to DC 12V power supply.
- (3) Fix camera to the ceiling or wall by mounting device.

ADJUSTING THE CAMERA ZOOM AND FOCUS

1. Loose the zoom ring screw.
2. Turn the zoom ring to the desired zoom condition.
3. Tight the zoom ring screw.
4. Loose the focus ring screw.
5. Turn the focus ring to focus.
6. Tight the focus ring screw.
7. Check the result with tools.



SPECIFICATIONS

| | |
|-----------------------------------|---|
| Model Type | XD445MR |
| Image Pick-up Device | SONY 1/3" CCD High Resolution |
| Effective Picture Elements | NTSC: 768*494, PAL: 752*582 (H*V) |
| Horizontal Resolution | 520 TV lines |
| Minimum Illumination | 0 LUX @ IR |
| S/N Ratio | More than 48 dB |
| Gamma Characteristic | 0.45 |
| Gain Control | Automatically |
| White Balance | ATW (2500°K ~ 9,500°K) |
| Lens Furnished | 3.7-12mm / F1.4 |
| Auto Iris Control | DC-Drive Auto Iris lens |
| Auto Electronic Shutter | NTSC: 1/60s~1/100,000s, PAL: 1/50s~1/110,000s |
| Video Output | 1 Vp-p Composite Video / 75 ohm BNC connector |
| Power Supply | DC 12V / 280 mA |
| Operating Temp. | -10°C to 50°C (14°F to 122°F) |
| Water Resistance | IP66 |
| IR-LED | 11 units of high efficiency 850nm IR-LED |
| IR Project Distance | 25 Meters |
| Dimensions | 142mm (Φ) * 115.5mm (H) |