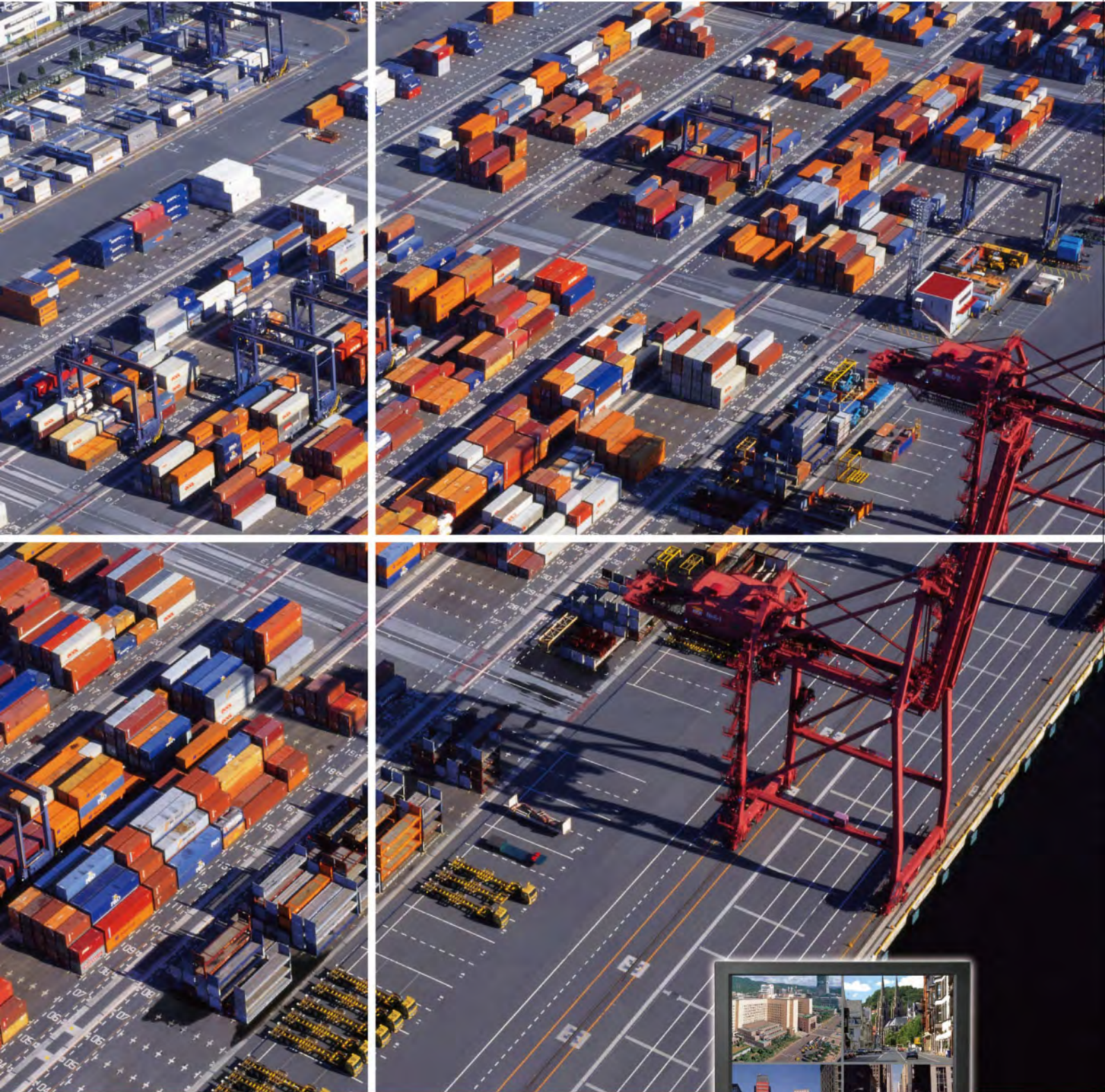




# Economic Series

## CCTV LCD Monitor



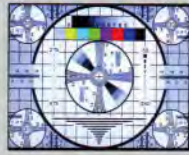
# Economic Series

## SXGA High Resolution

Exland's 17" & 19" LCD Monitors adopt SXGA (1280 x 1024) high resolution TFT panel, that will provide the clear and best video quality while playing the D1 video from DVR or connect to camera directly.



Conventional



EXLAND LCD

## Fast Response Time

Exland's 17" & 19" LCD Monitors adopt fast response TFT panel ( $\leq 5$  ms) that will make the video image no lag or delay. The playing of motion video will be more smooth and stable.



Fast Response Time

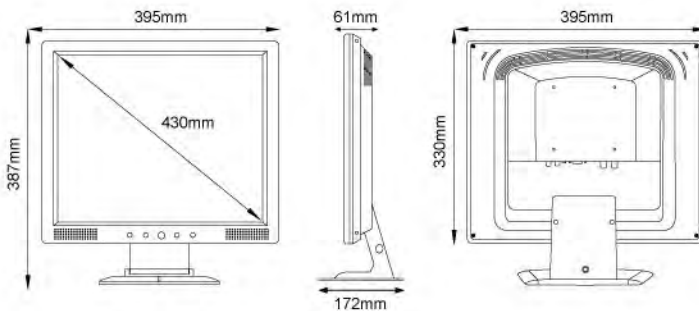


Slow Response Time

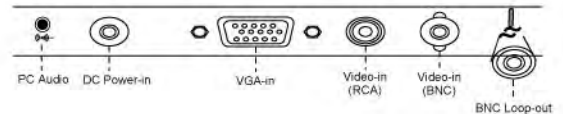
### EX-17LBE 17" monitor



- Professional Design for CCTV 7-24 Long Time Operation.
- BNC Video Looping Out
- High Resolution SXGA (1280x1024)
- 6 International languages OSD
- Stereo Audio



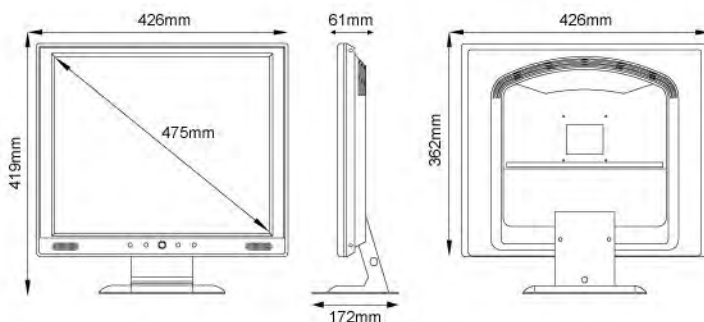
### EX-17LBE



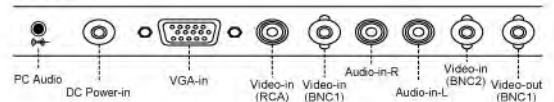
### EX-19LBE 19" monitor



- Professional Design for CCTV 7-24 Long Time Operation.
- BNC Video Looping Out
- High Resolution SXGA (1280x1024)
- 6 International languages OSD
- Stereo Audio



### EX-19LBE



## Adaptor Holder

Exland provides the Adaptor Holder to hold the power adaptor on the back of monitors. The holder provides not only the storage of adaptor but also the reduction of fire risk.



## VESA & Looping BNC

Exland's LCD Monitors all meet VESA mounting standard (75x75 mm or 100x100mm). It applies to all the VESA mounting brackets that are selling in the market. Exland's LCD Monitors are also equipped with looping BNC connectors to meet CCTV's video looping applications.



## Specification

Model	EX-17LBE	EX-19LBE	
System	Panel Size	17" LCD	19" LCD
	Resolution	1280 x 1024	1280 x 1024
	Pixel Pitch (H x V)	0.264 x 0.264	0.294 x 0.294
	Contrast Ratio	1000:1	1000:1
	Luminance	250 cd/m <sup>2</sup>	250 cd/m <sup>2</sup>
	Aspect Ratio	4:3	4:3
	Viewing Angle	L/R : 85/85, U/D: 75/85	L/R : 85/85, U/D: 75/85
	Response Time	Tr+Tf=5 ms	Tr+Tf=5 ms
	Video Signal	Composite signal 0.6~1.0Vpp/75 ohm, Y:1Vp-p, C:0.3Vp-p	A Composite signal 0.6~1.0Vpp/75 ohm, Y:1Vp-p, C:0.3Vp-p
	Video Color System	NTSC/PAL auto detection switch	NTSC/PAL auto detection switch
Scan Frequency	H:31K~81KHz, V:56~75Hz	H:31K~81KHz, V:56~75Hz	
Operation Interferences	Front Panel Controls	ACCEPT, MENU, POWER,+/-	ACCEPT, MENU, POWER,+/-
	Indicators	LED (Power on:Green-> Standby: Orange)	LED (Power on:Green-> Standby: Orange)
	OSD Control	Yes	Yes
Input / Output Connector	OSD Language	English,France, Germany, Spanish,Italiano, Chinese (6)	English,France, Germany, Spanish,Italiano, Chinese (6)
	Input Connector	D-Sub x 1, RCA Video in x 1, Video Input(BNC Jack) x 1, PC Audio Input (Ø3.5 Jack) x1, Power Input (DC 12V/5A) x 1	D-Sub x 1, RCA Video in x 1, Video Input(BNC Jack) x 2, RCA Audio x 2 (R/L) PC Audio Input (Ø3.5 Jack) x1, Power Input (DC 12V/5A) x 1
	Output Connector	Video Output(BNC) x 1	Video Output(BNC) x 1
Mechanical & Electrical	Video Looping out	Yes	Yes
	VESA Mounting	100 x 100 mm	75 x 75 mm
	Front Bezel Material	Plastic	Plastic
	Back Cabinet Material	Plastic	Plastic
	Stand Material	Plastic	Plastic
	Audio Power Output	2W x 2	2W x 2
	Power	DC 12V/5A	DC 12V/5A
	Power Consumption	25W(Max)	30W(Max)
	Working Temperature	5~+40 °C	5~+40°C
	Working Humidity	20% ~ 85%RH	20% ~ 85%RH
	Unit Dimension(WxHxD)	395(W) x 387(H) x 172(D) mm	426(W) x 419(H) x 172(D) mm
	Packing Dimension(WxHxD)	440(W) x 460(H) x190(D) mm	470(W) x 460(H) x175(D) mm
	Net Weight	4.7 Kg	4.9 Kg
Gross Weight	6.1 Kg	6.4 Kg	
Regulatory	CE,FCC,RoHS,BSMI	CE,FCC,RoHS,BSMI	
Color	Black	Black	
Accessory	Power Cable	1	1
	Power Adaptor	Input: AC 100~240V, 50/60Hz ; output :DC 12V, 5A	Input: AC 100~240V, 50/60Hz ; output :DC 12V, 5A
	Adaptor Holder	Optional	Optional
	D-Sub VGA Cable	1	1
	3.5mm Audio Cable	1	1
	User Manual (CD)	1	1

\*Specifications and product design are subject to change without notice.



Head Office : NO.173-8, Yung-Fong Road.  
Tucheng Dist, New Taipei City 236, Taiwan, R.O.C.  
TEL : 886-2-2274-6159 / FAX : 886-2-2274-2484  
E-Mail : [sales@exland.com.tw](mailto:sales@exland.com.tw)  
Website : [www.exland.com.tw](http://www.exland.com.tw)

All EXLAND's products are insured with general liability and damage.