

BKV0650DIRF-2M

6-50mm F1.6-360 IR Board Lens

** Motorized Focus & Zoom **

Φ14mm Straight Mount

IR



DC Iris, Removable IR cut filter

Model Number

BKV0650DIRF-2M

Optical & Mechanical Specifications

Image Format

1/3 inch

Focal Length

6-50mm

Aperture Ratio

F1.6-360

Wave Length Covered

400nm - 900nm

M.O.D.

0.3m

Angle of View

Wide 54.6°(D) x 43.9°(H) x 33.2°(V)

Tele 7.1°(D) x 5.7°(H) x 4.3°(V)

Mount

Φ 14mm Straight Mount

Dimension

30(W) x 44.1(H) x 47.5(L)mm

Weight

Electrical Specifications

DC Auto Iris

Driving Coil

190Ω ± 10% (20° C)

Close to Open : less than 4.0V

Open to Close : more than 0.5V

Dumping Coil

855Ω ± 10% (20° C)

Response Speed

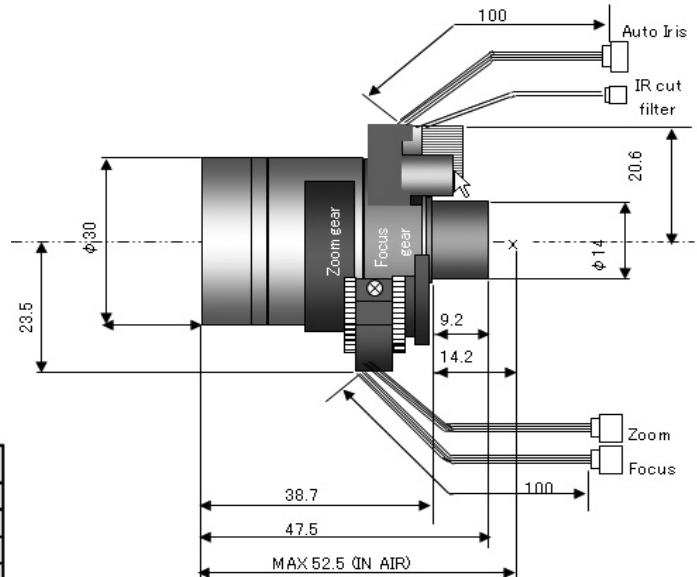
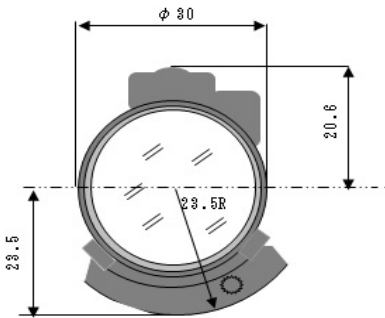
3.0 Seconds or less

Zoom

Motorized by Stepping Motor

Focus

Motorized by Stepping Motor



Exciting pattern of clockwise rotation				
Step	Brown	Red	Orange	Yellow
0	A	\bar{A}	B	\bar{B}
1	H	L	H	L
2	L	H	L	H
3	L	H	L	H