

KVM10120

10-120mm F1.6

Manual & DC Iris

1.3 Megapixel

C mount for 1/2 & 1/3 inch

Mega

12X Varifocal lens

ED glass



Model Number

KVM10120M

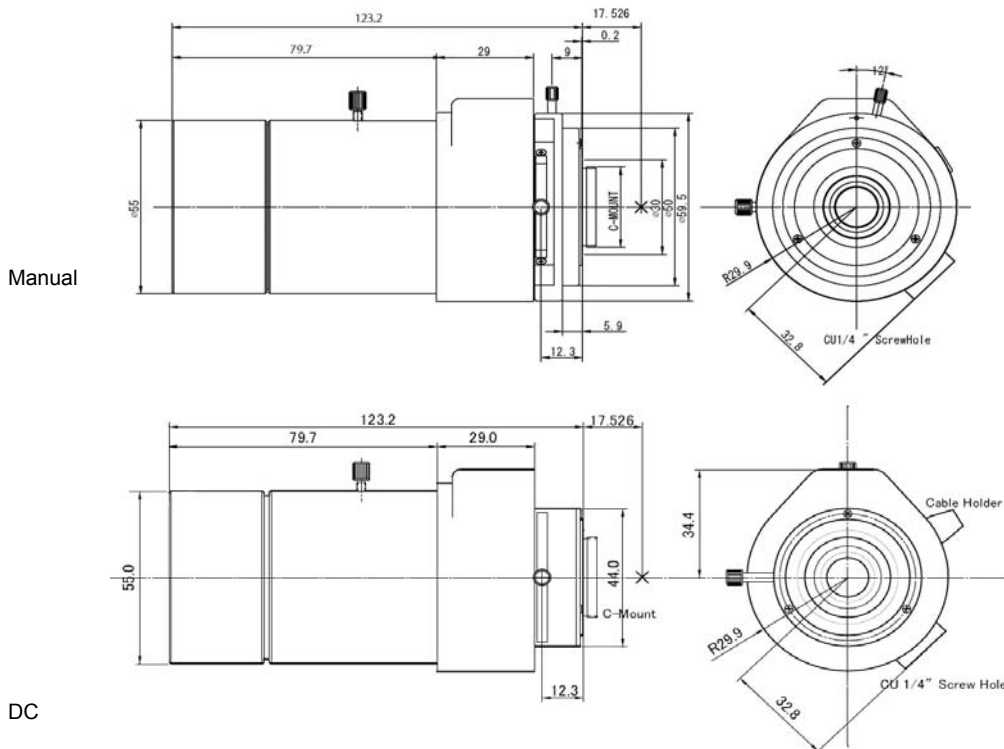
KVM10120D

Optical & Mechanical Specifications

Image Format		1/2 inch & 1/3 inch	—
Focal Length		10-120mm	—
Aperture Ratio		F1.6 - Close	F1.6-360
M.O.D.		1.5M	—
Angle of View	1/2 inch	Wide 42.6°(D) x 34.7°(H) x 26.4°(V) Tele 3.9°(D) x 3.1°(H) x 2.3°(V)	—
	1/3 inch	Wide 32.6°(D) x 26.4°(H) x 19.9°(V) Tele 2.9°(D) x 2.3°(H) x 1.8°(V)	—
Mount		C mount	—
Dimension		Φ55.0(W) x 64.3(H) x 123.2(L) mm	—
Weight		370g	350g

Electrical Specifications

Iris	Manual	DC Auto iris
Zoom	Manual	Manual
Focus	Manual	Manual



Kawaden Co., Ltd.