

KVM2515DIR
2.5-15mm F1.4-360
DC Iris
IR corrected
1.3 Megapixel

IR
Mega
Aspherical



Model Number

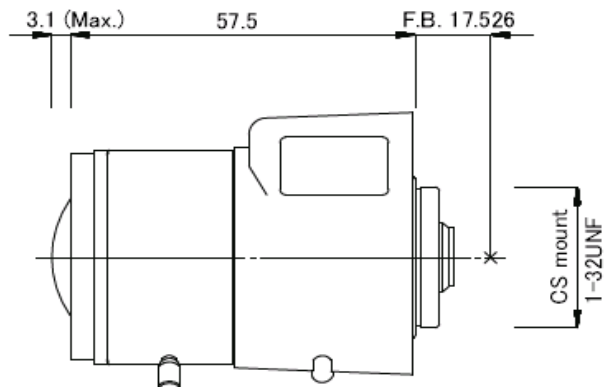
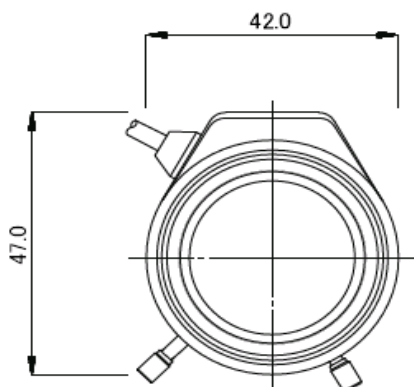
KVM2515DIR

Optical & Mechanical Specifications

Image Format	1/3 inch
Focal Length	2.5 - 15mm
Aperture Ratio	F1.4 - 360
M.O.D.	0.3m
Angle of View	Wide 128.7°(D) x 104.3°(H) x 78.8°(V) Tele 23.8°(D) x 19.0°(H) x 14.3°(V)
Mount	CS mount
Dimension	42(W) x 47.0(H) x 57.5(L) mm
Weight	71g

Electrical Specifications

DC Auto Iris	
Driving Coil	190 Ω ± 10% (20° C) Close to Open : less than 4.0V Open to Close : more than 0.5V
Dumping Coil	1150 Ω ± 10% (20° C)
Response Speed	3.0 seconds or less
Zoom	Manual
Focus	Manual



Kawaden Co., Ltd.