

# KVM2812DIR (for 1/2.7" & 1/3")

2.8-12mm F1.4-360

DC Iris

IR corrected

3 Megapixel

**IR**  
**Mega**



## Model Number

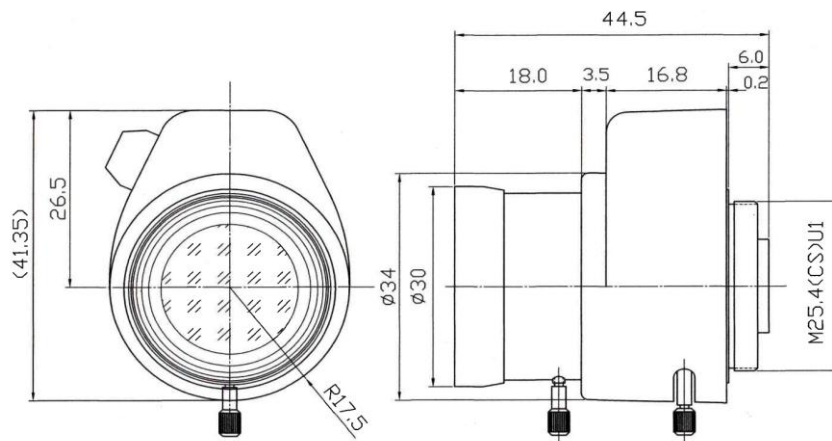
KVM2812DIR

### Optical & Mechanical Specifications

Image Format	1/2.7 inch & 1/3 inch
Focal Length	2.8 - 12mm
Aperture Ratio	F1.4 - 360
M.O.D.	0.2m
Angle of View	Wide 100°(D) x 87°(H) x 71°(V) Tele 34°(D) x 27°(H) x 21°(V)
Mount	CS mount
Dimension	Φ 28(W) x 43.5(H) x 35.9(L) mm
Weight	46g

### Electrical Specifications

DC Auto Iris	
Driving Coil	200Ω ±10% (20° C) Close to Open : less than 4.0V Open to Close : more than 0.5V
Dumping Coil	560Ω ±10% (20° C)
Response Speed	3.0 seconds or less
Zoom	Manual
Focus	Manual



**Kawaden Co., Ltd.**

Rm. 2-C Ohno Bldg., 1-3-32 Kiso-nishi, Machida-shi, Toko 1940037 Japan  
Phone +81-42-7897066 yutaka-k@e-kawaen.com www.e-kawaden.com