

KZM30X1028S

10-300mm F2.8

C mount for 1/2 & 1/3 inch

1.3 Megapixel

Mega

KZ30X1028SD (DC Iris)

KZ30X1028SDP (DC Iris, Preset)

KZ30X1028SV (Video Iris)

KZ30X1028SVP (Video Iris, Preset)



Model Number

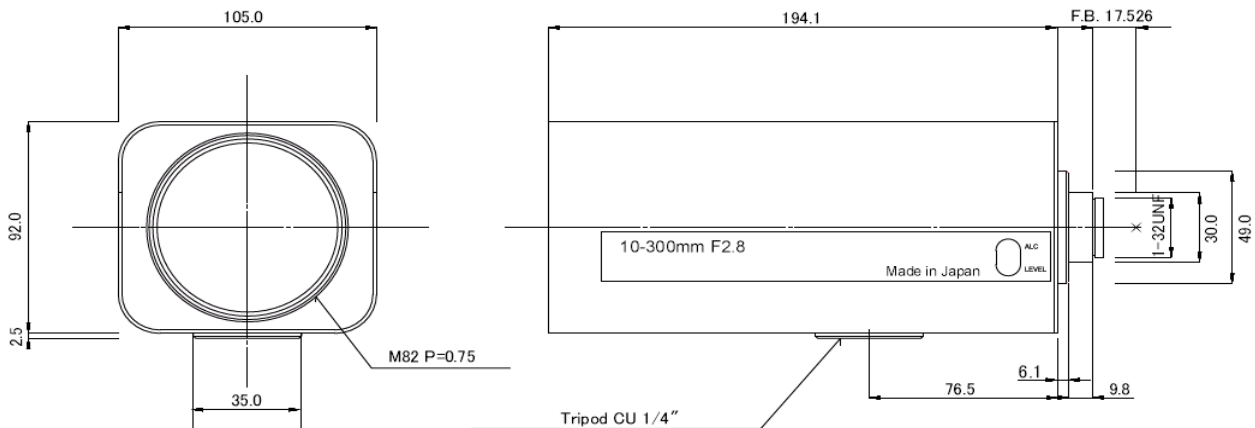
KZ30X1028SV

Optical & Mechanical Specifications

Image Format		1/2 inch
Focal Length		10-300mm
Aperture Ratio		F2.8 -360
M.O.D.		3m
Angle of View	1/2 inch	Wide 43.6°(D) x 35.5°(H) x 27.0°(V) Tele 1.5°(D) x 1.2°(H) x 0.9°(V)
	1/3 inch	Wide 33.4°(D) x 27.0°(H) x 20.7°(V) Tele 1.1°(D) x 0.9°(H) x 0.7°(V)
Filter Size		M82 P=0.75
Mount		C mount
Dimension		105.0(W) x 92.0(H) x 194.1(L) mm
Weight		1830g (SV), 1850g (SVP)

Electrical Specifications

Video Auto Iris		
Input Voltage		DC8-16V, Max. 50mA
Input Signal		Video Signal (V or VS)
Sensitivity		0.5 - 1.0Vp-p
Response Speed		3.0 seconds or less
Zoom		
Input Voltage		DC6 - 12V, Max. 40mA (6V)
Response Speed		Approx. 6.5 seconds. W-T (6V)
Focus		
Input Voltage		DC6 - 12V, Max. 40mA (6V)
Response Speed		Approx. 10 seconds. N-F (6V)



Kawaden Co., Ltd.